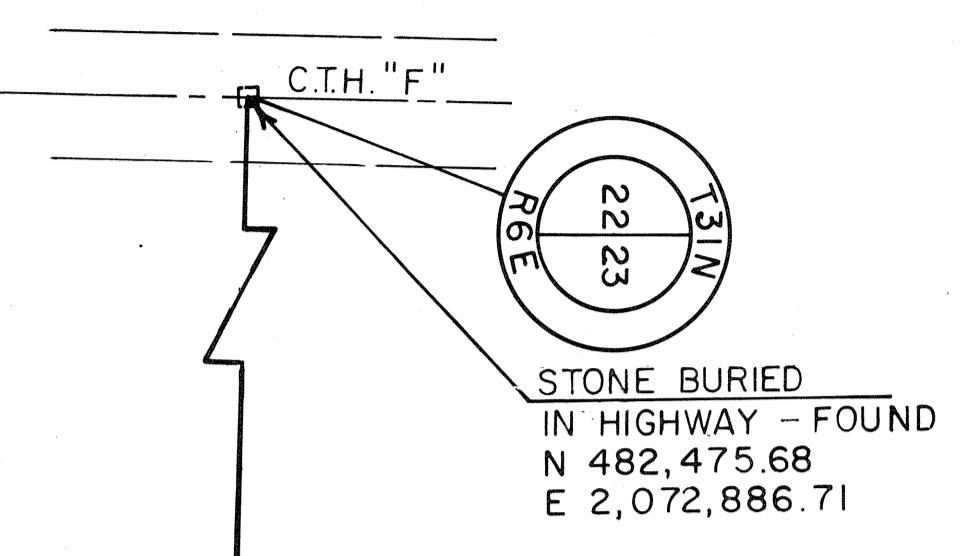
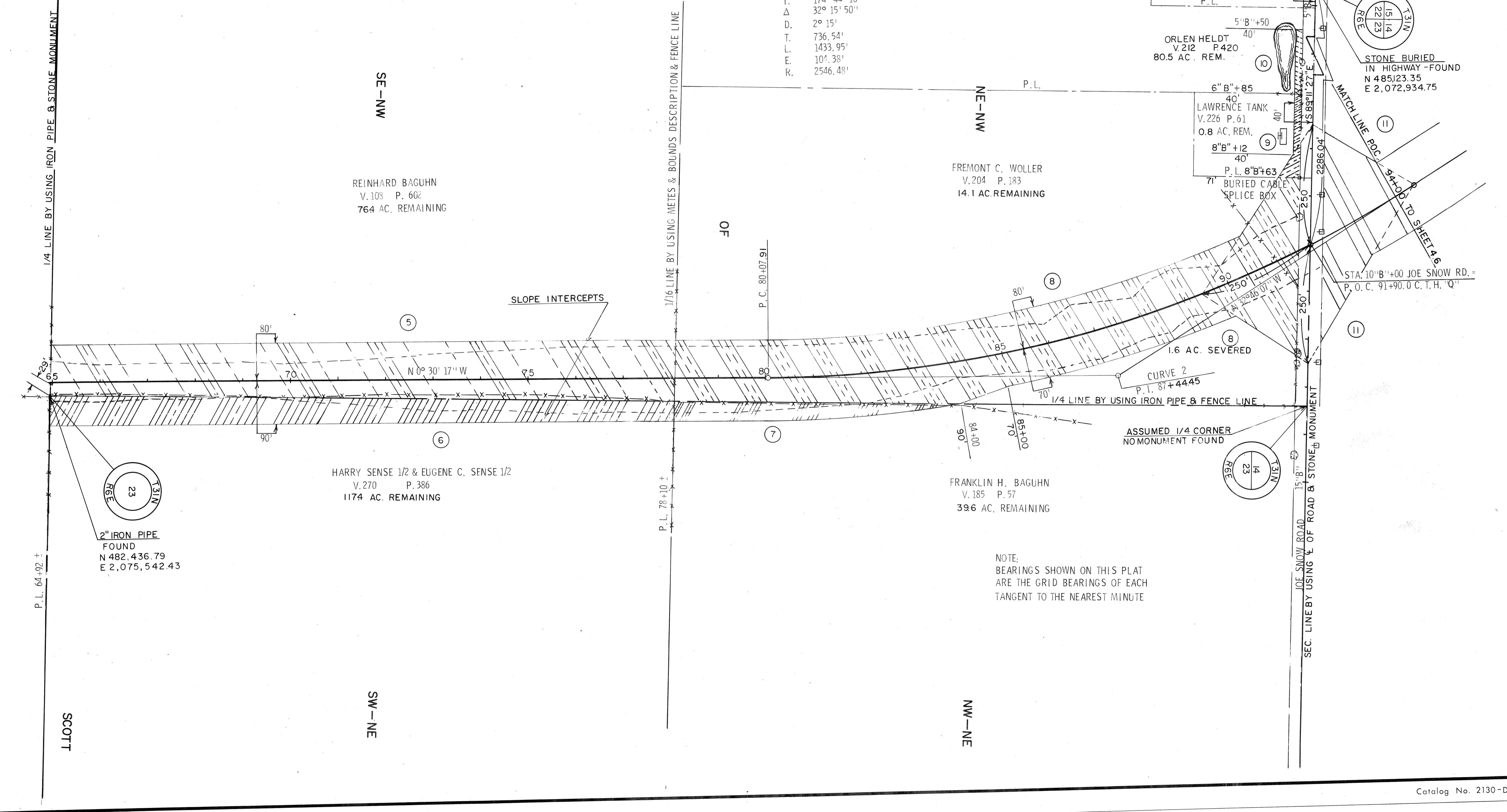
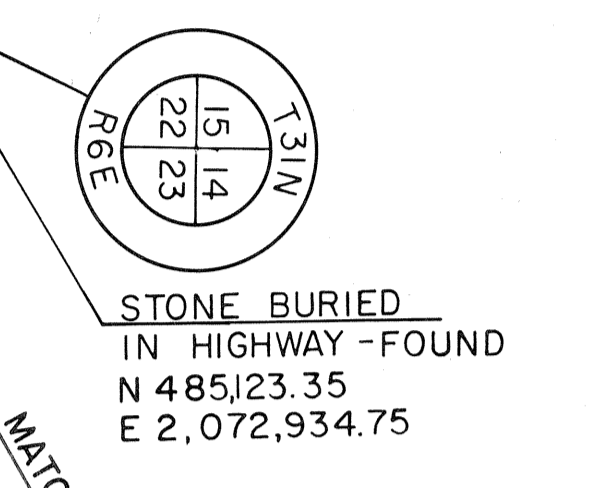


REVISION DATE	PROJECT I. D.	SHEET NUMBER
5-3-74 NC.	9413-1-21	45
FEDERAL PROJECT DESIGNATION		
Plat of Right of Way Required U. S. H. 51 - State Street C. T. H. "Q"		
Lincoln County	DATE	
SCALE 1" = 100'	200 Ft.	MARCH 4, 1974



CURVE 2

P. I.	87+44.45
N	484,689.90
E	2,075,493.58
L	174° 44' 10"
Δ	32° 15' 50"
D.	2° 15'
T.	736.54'
L.	1433.95'
E.	101.38'
R.	2546.48'



NOTE:
BEARINGS SHOWN ON THIS PLAT
ARE THE GRID BEARINGS OF EACH
TANGENT TO THE NEAREST MINUTE