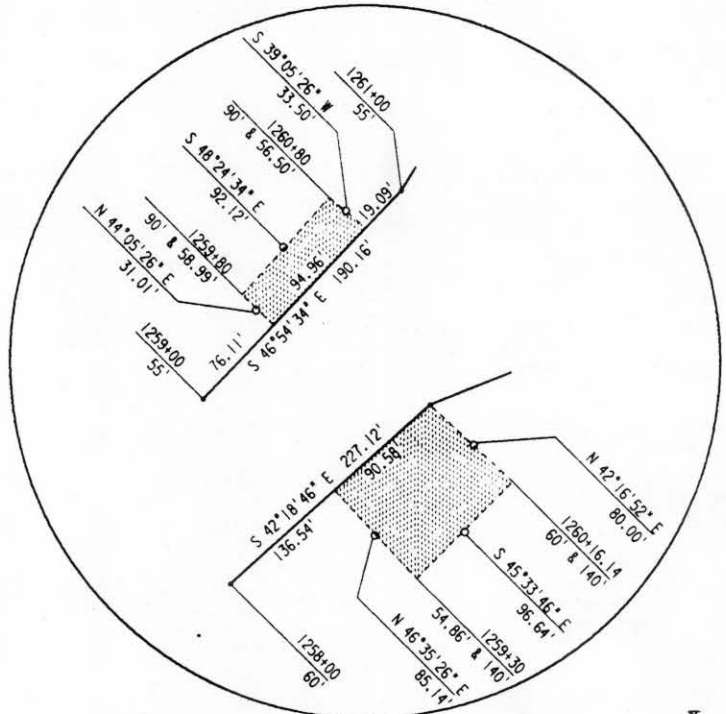
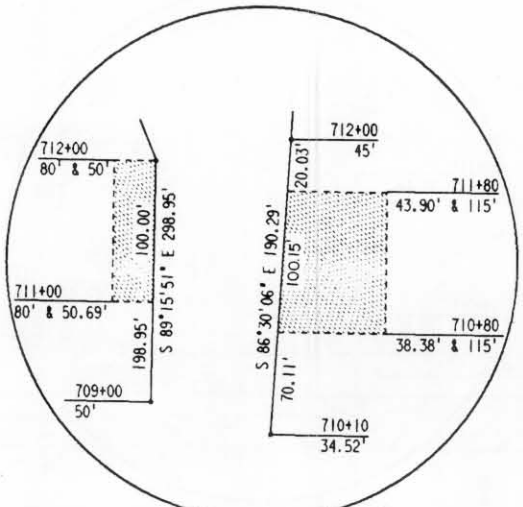
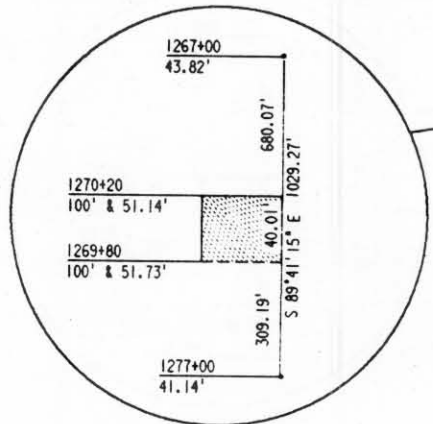


REVISION DATE 9/7/90	ROUTE	COUNTY	DATE	R/W PROJECT NUMBER	SHEET NUMBER
	C.T.H. CC	LINCOLN		9408-02-00	
	SCALE, FT.	GRID FACTOR		FEDERAL PROJECT NUMBER	4.9
	0 100 200			9408-02-70	4.9

LEVELS ON #2.3.4.5.6.7.8.9.10.11.12.13.14.15.16.17.18.19.20.21.22.23.24.25.26.27.28.29.30.31.32.33.34.35.36.37.38.39.40.41.42.43.44.45.46.47.48.49.50.51.52.53.54.55.56.57.58.59.60.61.62.



DETAIL A



DETAIL B

