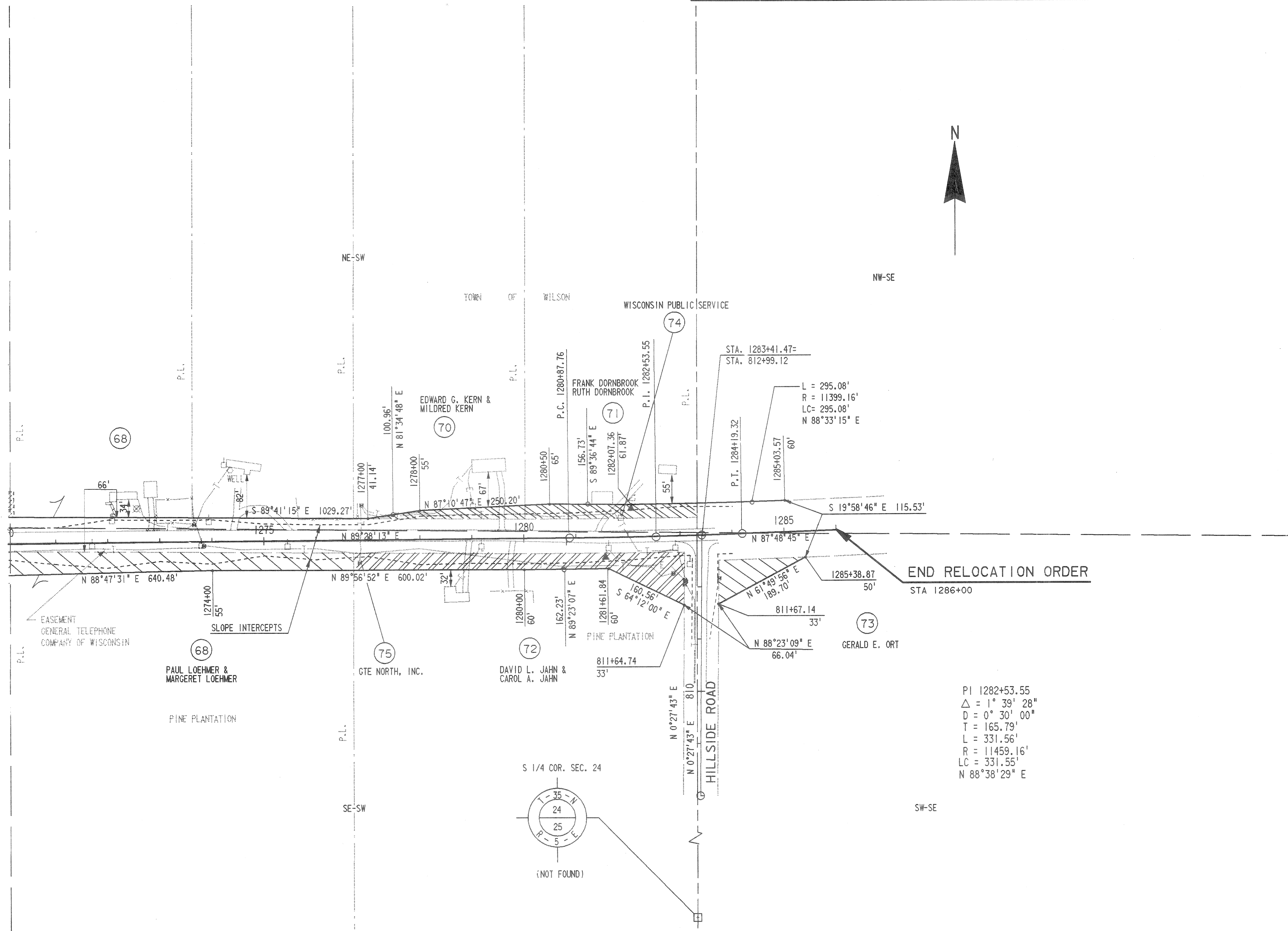
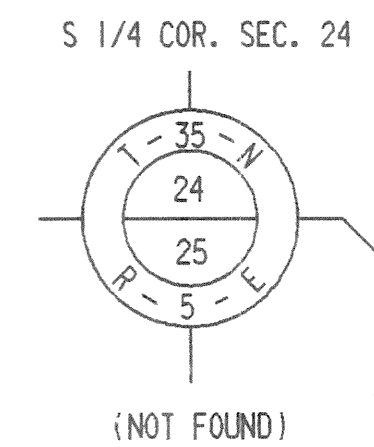


REVISION DATE 9/11/90	ROUTE C.T.H. CC	COUNTY LINCOLN	DATE	R/W PROJECT NUMBER 9408-02-00	SHEET NUMBER 4.10
	SCALE, FT. 0 100 200	GRID FACTOR		FEDERAL PROJECT NUMBER	



PI 1282+53.55
 $\Delta = 1^\circ 39' 28''$
 $D = 0^\circ 30' 00''$
 $T = 165.79'$
 $L = 331.56'$
 $R = 11459.16'$
 $LC = 331.55'$
 $N 88^\circ 38' 29'' E$

END RELOCATION ORDER
 STA 1286+00



59.

LEVELS ON =