

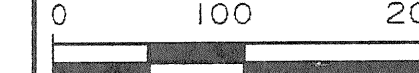
REVISION DATE  
9/11/90

ROUTE COUNTY DATE  
C.T.H. CC LINCOLN

R/W PROJECT NUMBER  
9408-02-00

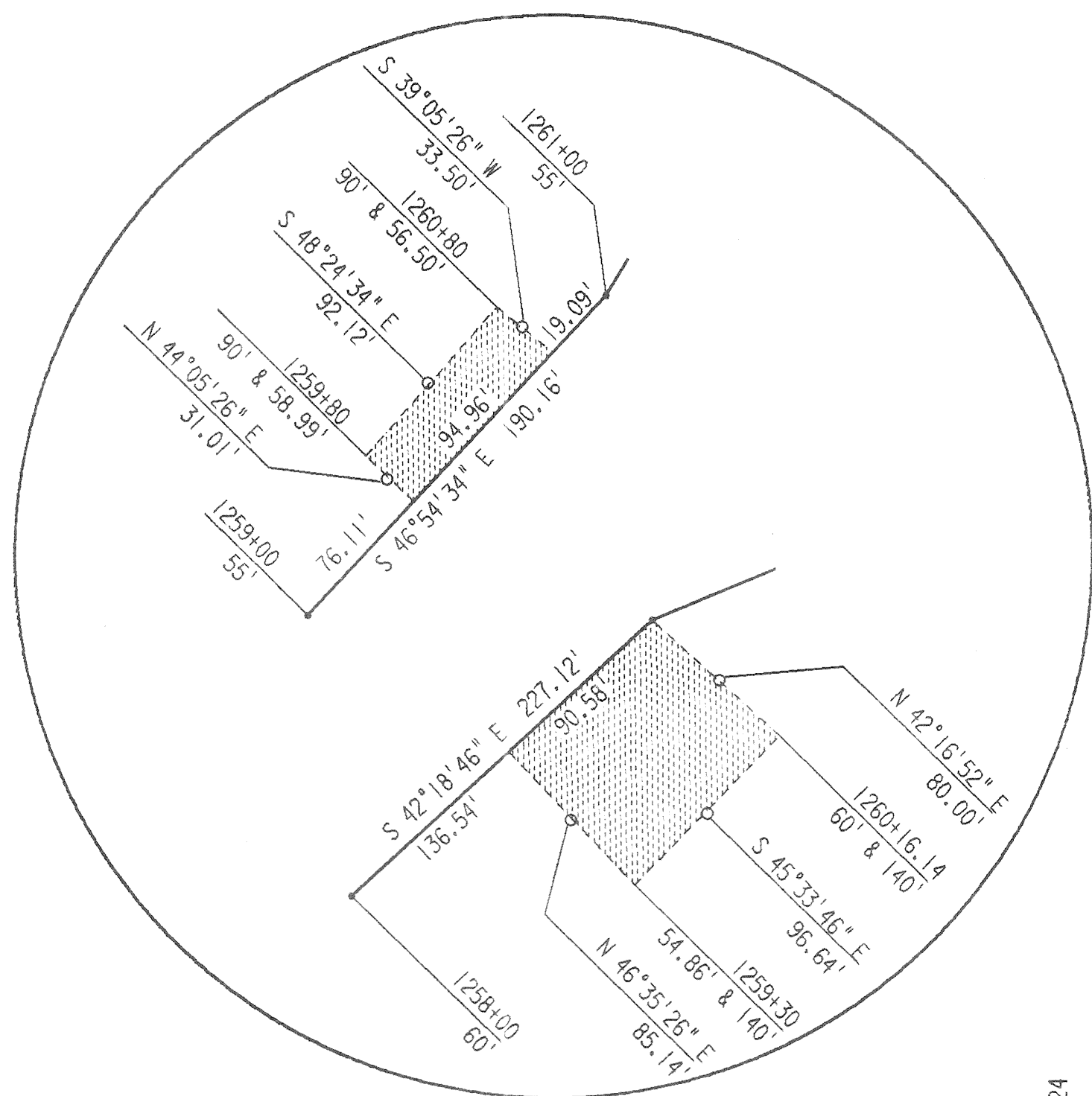
SHEET NUMBER  
4.9

SCALE, FT. GRID FACTOR  
0 100 200

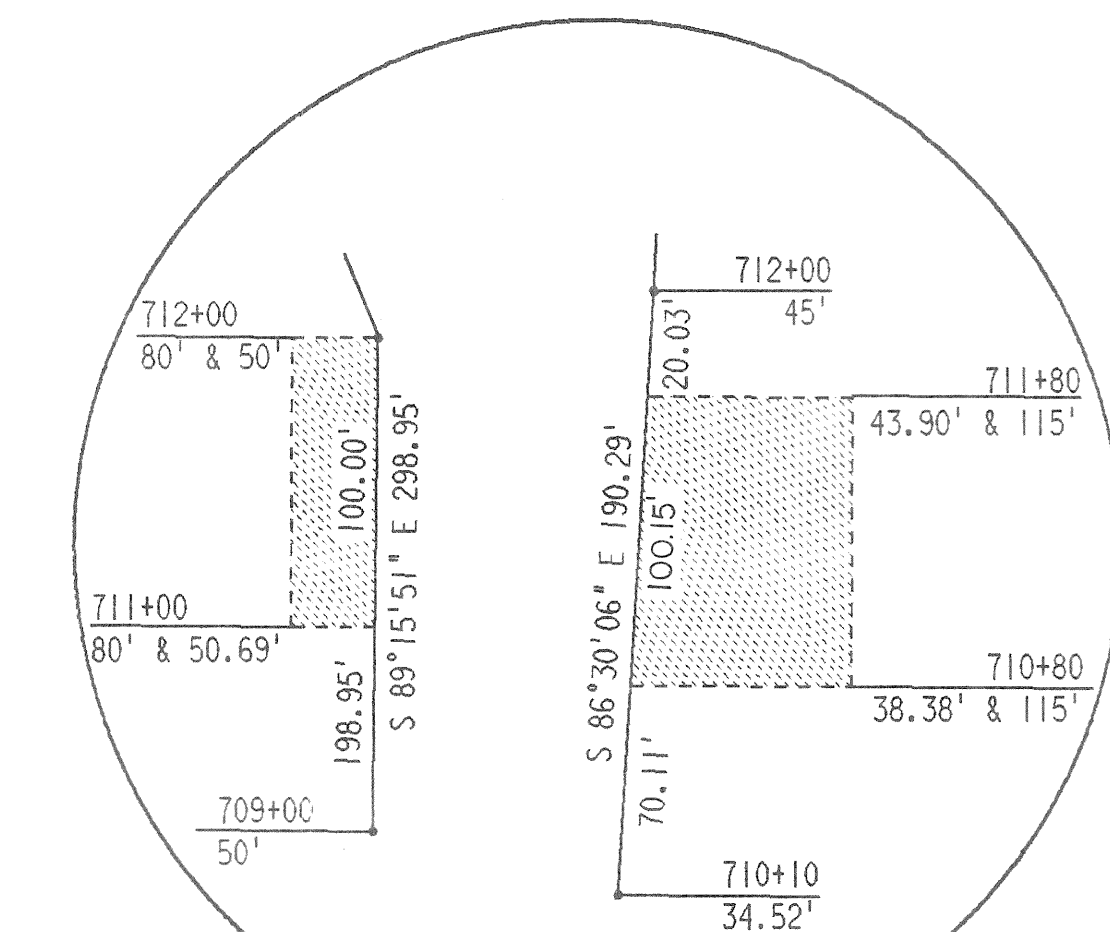
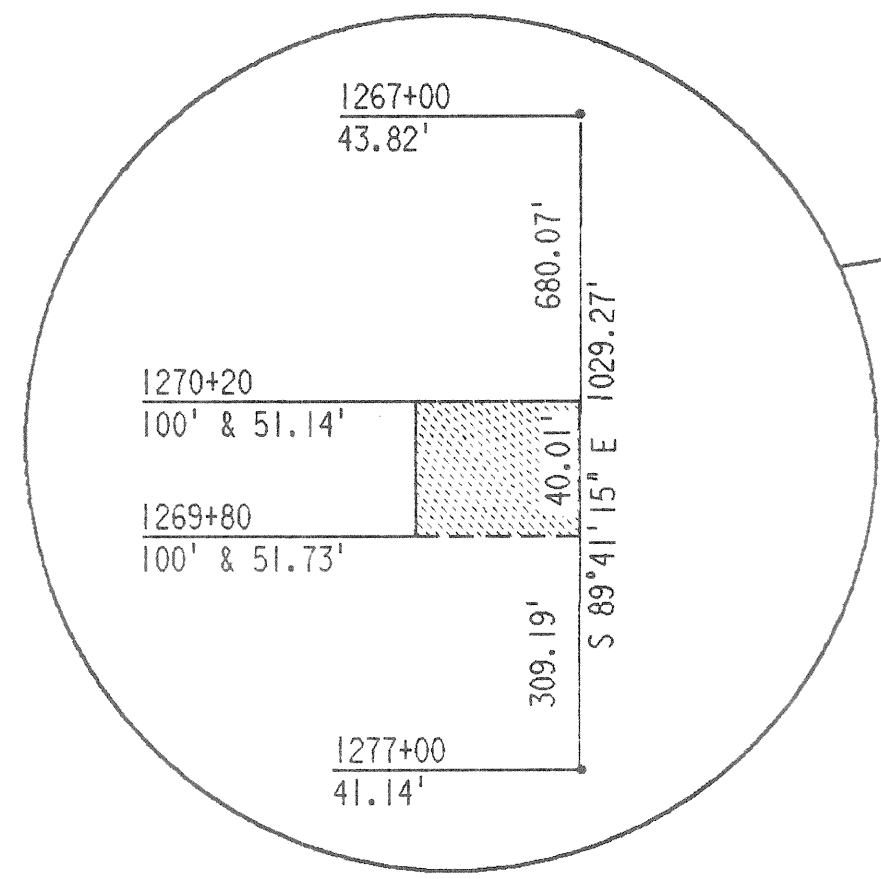


FEDERAL PROJECT NUMBER

LEVELS ON 2, 3, 4, 5, 6, 7, 8, 9, 10, 11, 12, 13, 14, 15, 16, 17, 18, 19, 20, 21, 22, 23, 24, 25, 26, 27, 28, 29, 30, 31, 32, 33, 34, 35, 36, 37, 38, 39, 40, 41, 42, 43, 44, 45, 46, 47, 48, 49, 50, 51, 52, 53, 54, 55, 56, 57, 58, 59, 60, 61, 62, ...



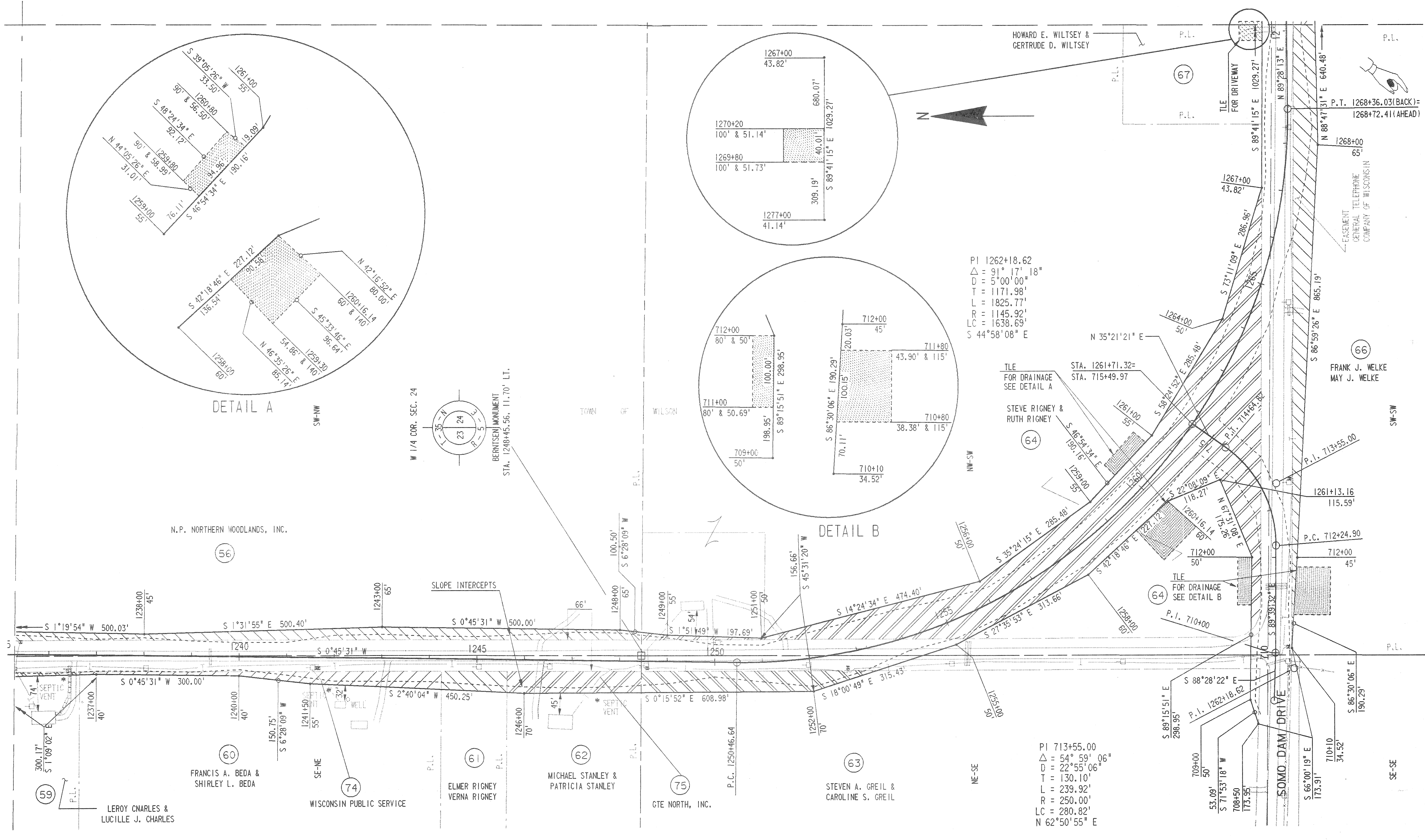
DETAIL A



DETAIL B

PI 1262+18.62  
Δ = 91° 17' 18"  
D = 5°00'00"  
T = 1171.98'  
L = 1825.77'  
R = 1145.92'  
LC = 1638.69'  
S 44°58'08" E

PI 713+55.00  
Δ = 54° 59' 06"  
D = 22°55'06"  
T = 130.10'  
L = 239.92'  
R = 250.00'  
LC = 280.82'  
N 62°50'55" E



PLUT SCALE

PLUT NAME

REV. DATE

ORIGINATOR