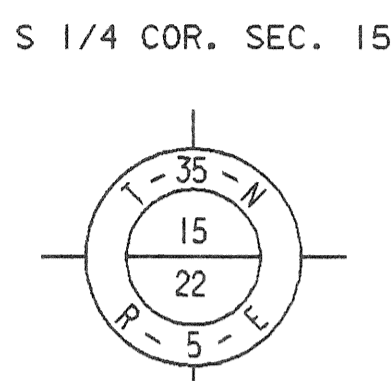
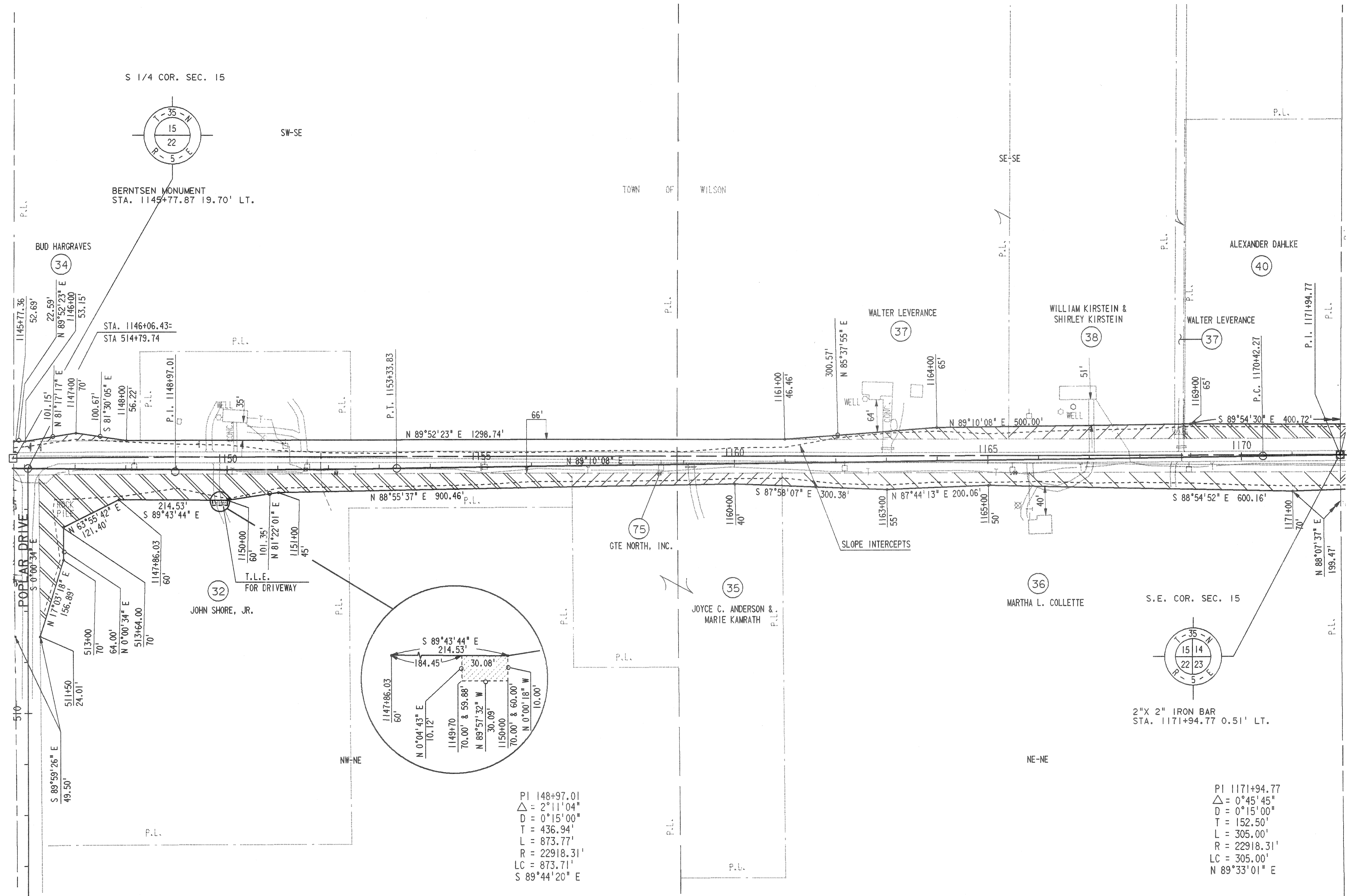
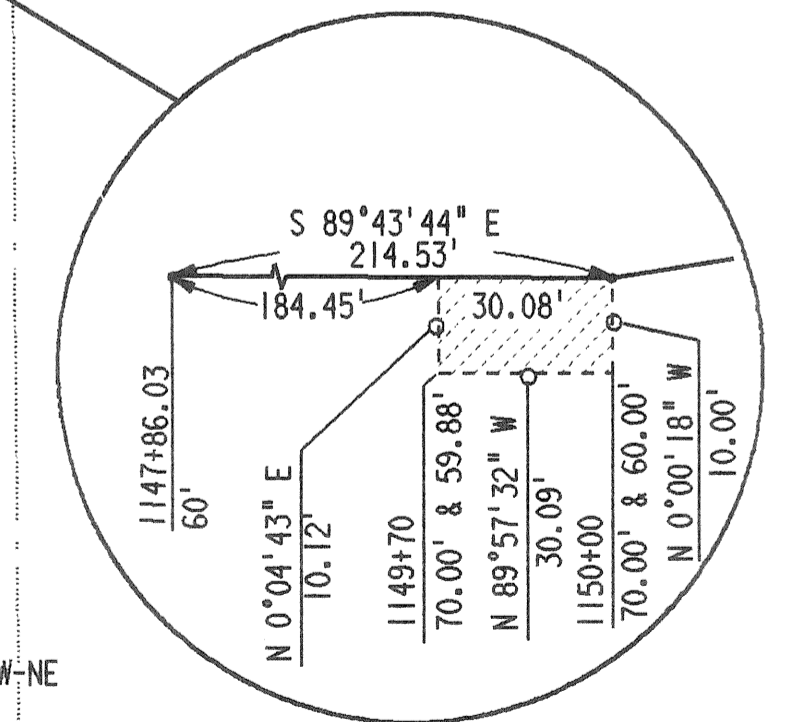


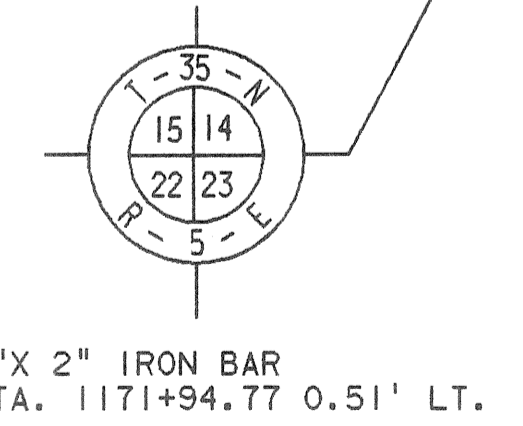
REVISION DATE 9/11/90	ROUTE C.T.H. CC	COUNTY LINCOLN	DATE	R/W PROJECT NUMBER 9408-02-00	SHEET NUMBER 4.6
	SCALE, FT. 0 100 200	GRID FACTOR		FEDERAL PROJECT NUMBER	



BERNTSEN MONUMENT  
STA. 1145+77.87 19.70' LT.

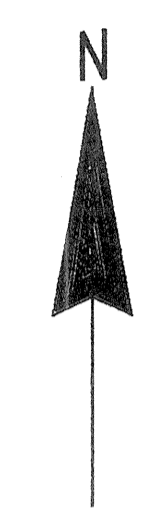


PI 148+97.01  
 $\Delta = 2^\circ 11' 04''$   
 $D = 0^\circ 15' 00''$   
 $T = 436.94'$   
 $L = 873.77'$   
 $R = 22918.31'$   
 $LC = 873.71'$   
 $S 89^\circ 44' 20'' E$



2"X 2" IRON BAR  
 STA. 1171+94.77 0.51' LT.

PI 1171+94.77  
 $\Delta = 0^\circ 45' 45''$   
 $D = 0^\circ 15' 00''$   
 $T = 152.50'$   
 $L = 305.00'$   
 $R = 22918.31'$   
 $LC = 305.00'$   
 $N 89^\circ 33' 01'' E$



LEVELS ON #2,3,4,5,6,7,8,9,10,11,12,13,14,15,16,17,18,19,20,21,22,23,24,25,26,27,28,29,30,31,32,33,34,35,36,37,38,39,40,41,42,43,44,45,46,47,48,49,50,51,52,53,54,55,56,57,58,59,60,61,62.

PLOT SCALE

REV. DATE

ORIGINATOR

FILE NAME