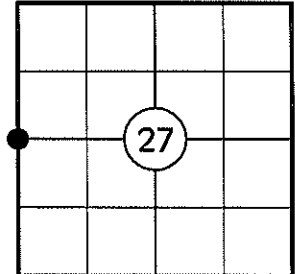


U.S. PUBLIC LAND SURVEY MONUMENT RECORD

NOTE: THIS FORM IS INTENDED AND DESIGNED TO FULFILL ALL REQUIREMENTS OF WISCONSIN ADMINISTRATIVE CODE CHAPTER A-E 7.08 U.S. PUBLIC LAND SURVEY MONUMENT RECORD (3) (a)(b)(c)(d)(e)(f)(g)(h)(i). AN ADDITIONAL SHEET MAY BE ADDED IF NECESSARY TO CONFIRM WITH SAID REQUIREMENTS.

(a) CORNER LOCATION:

W1/4 CORNER OF SECTION 27
 TOWNSHIP 33 NORTH
 RANGE 5 EAST
 TOWN OF HARDING
 COUNTY OF LINCOLN



(b) HISTORY OF ORIGINAL CORNER:

ORIGINAL SURVEYOR: JACKSON L. PRENTICE
 DATE OF SURVEY: NOVEMBER, 1854

ORIGINAL BEARING TREES: 10" SOFT MAPLE - N80°E, 27 LKS
 10" PINE - WEST, 18 LKS

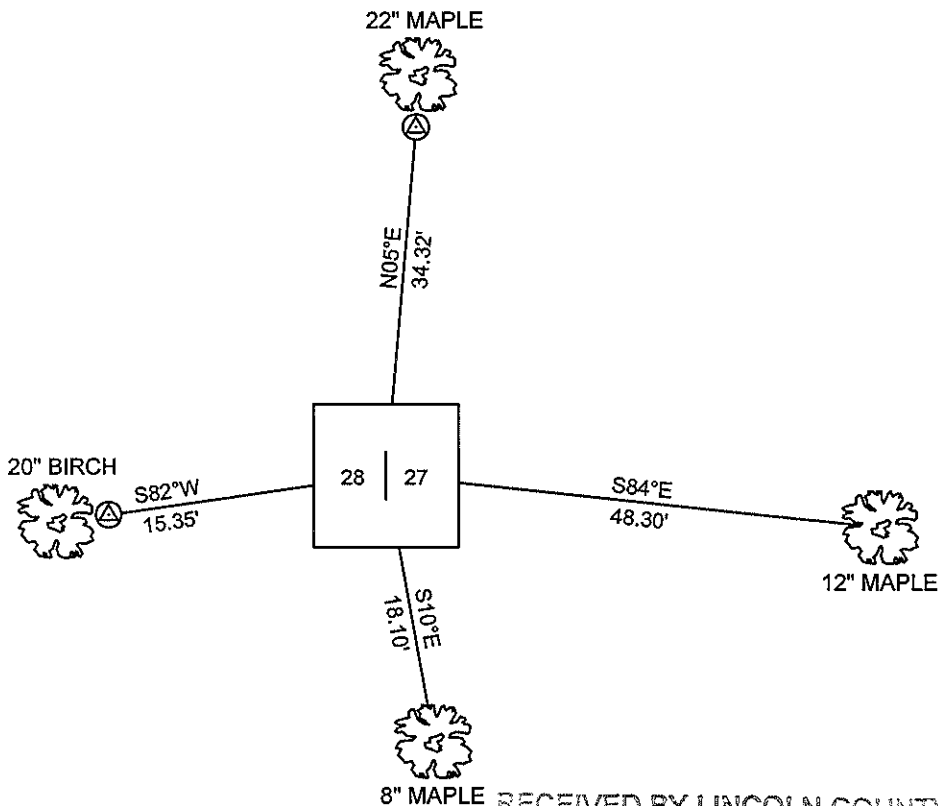
(f)(g)(h) DESCRIPTION OF MONUMENT FOUND AT THIS CORNER AND IF IT WAS ACCEPTED STATE ALL EVIDENCE (MATERIAL, TESTIMONIAL, OCCUPATIONAL, PLATS, RECORDS, OTHER MONUMENTS) USED AS A BASIS FOR ESTABLISHING LOCATION. IF REESTABLISHING THROUGH LOST CORNER PROPORTIONATE METHODS, INDICATE ALL MONUMENTS, DISTANCES, AND DIRECTIONS USED TO ESTABLISH. INDICATE TYPE OF MONUMENT AND SIGN POST FOUND OR SET.

1854: JACKSON L. PRENTICE SET THE ORIGINAL 1/4 SECTION CORNER POST.

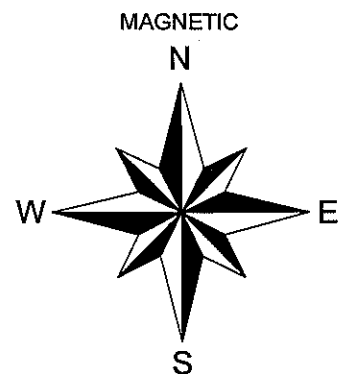
1930'S: FRANCIS FOX SET A STONE MONUMENT AND MOUNDED WITH STONE. HE NOTES TWO BEARING TREES: 12" BIRCH - S06°W, 34.2' AND A 16" ELM S87°E, 42.0'.

01/06/2010: I FOUND A 6" SQUARE GRANITE MONUMENT IN GOOD CONDITION SET IN A ROCK CAIRN AND A STEEL FENCE POST 1' SOUTH OF THE MONUMENT. I SET A PLASTIC POST 1' NORTH OF THE MONUMENT, MADE TWO BEARING TREES AND SET TWO 3/4" DIA. CAPPED REBAR REFERENCE MONUMENTS AS SHOWN BELOW.

(c)(d)(e) PLAN VIEW OF CORNER WITH TIES TO AT LEAST FOUR WITNESSES. IF IN DISAGREEMENT WITH PREVIOUSLY ESTABLISHED CORNER, SHOW THE DISTANCES BETWEEN THE TWO CORNERS AND ALSO INDICATE THE TIE TO THE DISPUTED CORNER.

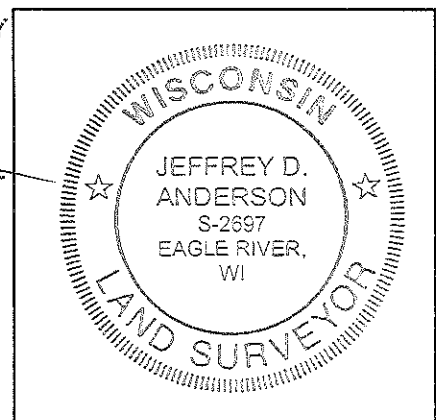


⊙ 3/4" DIA. CAPPED REBAR SET



NOT TO SCALE
 DISTANCES TO BT'S ARE TO NAIL IN SIDE

RECEIVED BY LINCOLN COUNTY
 SURVEYOR THIS 15TH DAY
 OF February 20 10
Tommy Deller
 COUNTY SURVEYOR



INDEX NO. S-13

I JEFFREY D. ANDERSON, REGISTERED LAND SURVEYOR NO. 2697, HEREBY CERTIFY THAT THE CORNER LOCATION ON THIS RECORD WAS REFERENCED BY ME OR UNDER MY DIRECTION AND CONTROL AND THAT THIS U.S. PUBLIC LAND SURVEY MONUMENT RECORD IS COMPLETE TO THE BEST OF MY KNOWLEDGE AND BELIEF.

Jeffrey D. Anderson 1/27/10
 SIGNATURE

WEST ¼ CORNER, SECTION 27 – 6" SQUARE GRANITE STONE FOUND



FACING NORTH



FACING SOUTH



FACING EAST



FACING WEST

