

CERTIFIED LAND CORNER RESTORATION

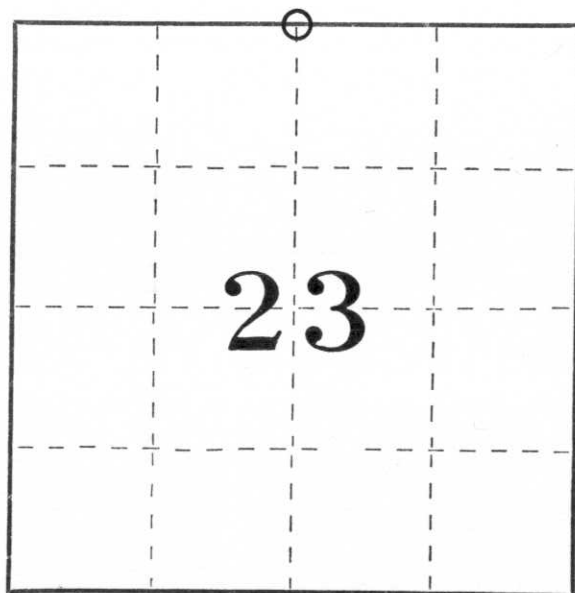
Index No. m-19

State of Wisconsin }  
County of Lincoln } ss.

I Sheridan D. Schwark, do hereby certify that on the 13th day of October, 1980, I found evidence of the North one-quarter corner of Section 23 Township 32, North, Range 8 East, Fourth, Principal Meridian, as described hereon; and that from this evidence I established a new monument and accessories as described hereon to perpetuate the original location of this corner.

Resident witnesses:

.....  
.....  
.....



○ = Corner monument restored.

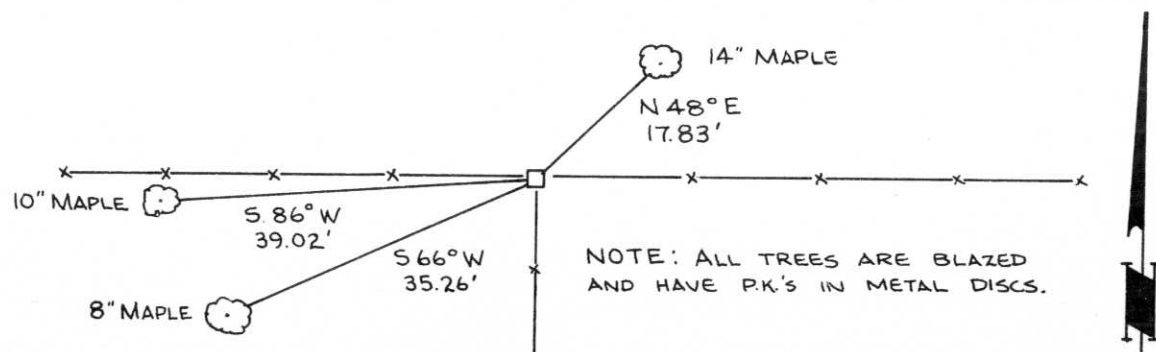
History of original corner establishment:

Wood post set by original government surveyor.

Description of corner evidence found:

We found a 6" x 6" granite monument tipped southerly, we straightened and reset it.

Description of monument and accessories I established to perpetuate the original location of this corner.



Dated at Merrill, Wis., this 23rd day of October, 1980

Signature Sheridan D. Schwark Title Registered Land Surveyor Registration No. S-1205  
(County Surveyor, Registered Land Surveyor, or other duly authorized official)

Office of Register of Deeds, County of \_\_\_\_\_, I hereby certify that the within instrument was filed in this office for record on the \_\_\_\_\_ day of \_\_\_\_\_, 19\_\_\_\_ at \_\_\_\_\_ o'clock \_\_\_\_\_ M.

(Register of Deeds)

By \_\_\_\_\_ Deputy