

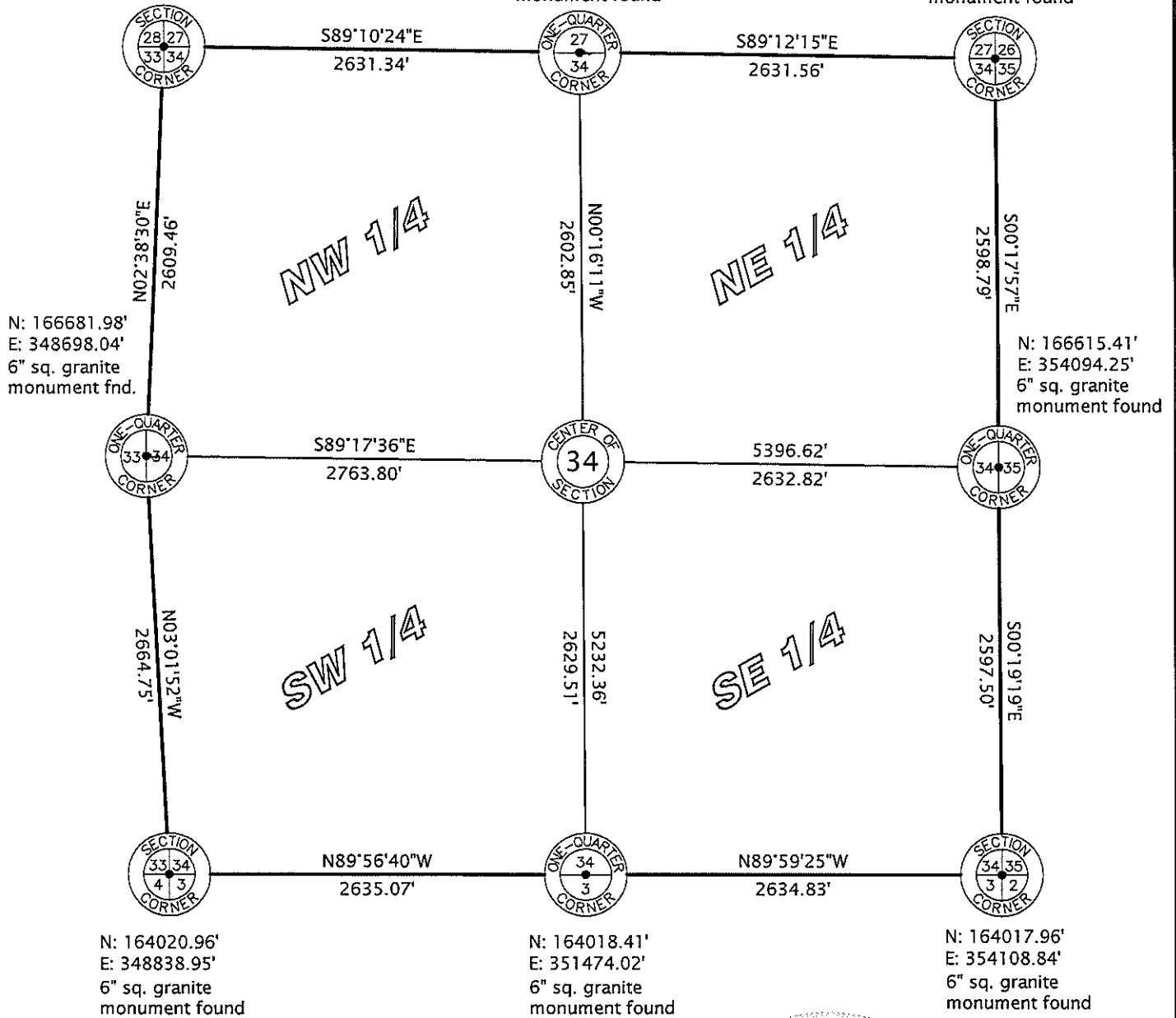
# Lincoln County Section Summary

## Section 34, T 33 N, R 5 E Harding Township Lincoln County, Wisconsin

N: 169288.67'  
E: 348818.31'  
6" sq. granite  
monument found

N: 169250.72'  
E: 351449.38'  
6" sq. granite  
monument found

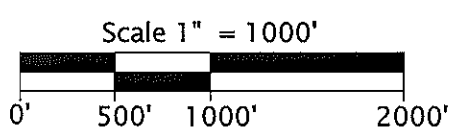
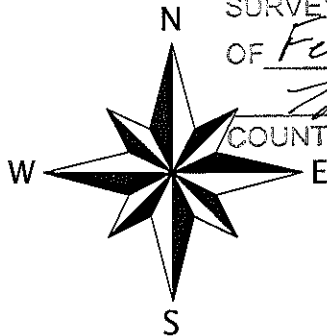
N: 169214.17'  
E: 354080.68'  
6" sq. granite  
monument found



Lincoln County, Wis.

RECEIVED BY LINCOLN COUNTY  
SURVEYOR THIS 15<sup>TH</sup> DAY  
OF February 20 10  
Tony Dalk  
COUNTY SURVEYOR

*Gregory G. Mainer*  
GREGORY G. MAINER  
EAGLE RIVER, WISCONSIN  
1/26/10



I hereby certify that the information shown hereon is true and correct to the best of my knowledge and belief.



**Favorite, Anderson & Maines  
Surveying, S.C.**  
5230 HWY 70 WEST - EAGLE RIVER, WI 54521  
PHONE: (715) 479-2570 - FAX: (715) 479-7274

Sec. 34