

Lincoln County Section Summary

Section 28, T 33 N, R 5 E

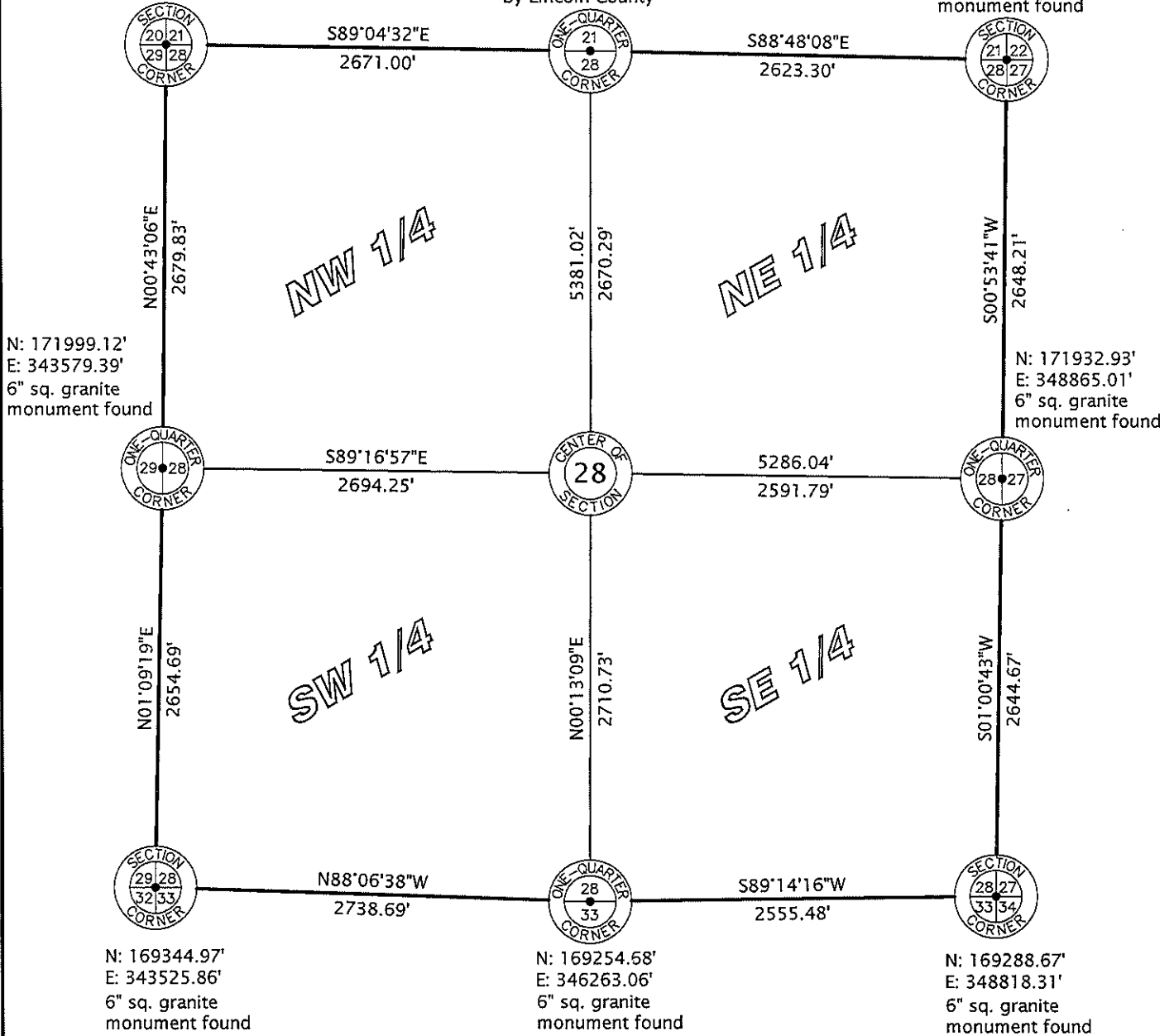
Harding Township

Lincoln County, Wisconsin

N: 174678.74'
E: 343612.98'
Coordinates provided
by Lincoln County

N: 174635.65'
E: 346283.64'
Coordinates provided
by Lincoln County

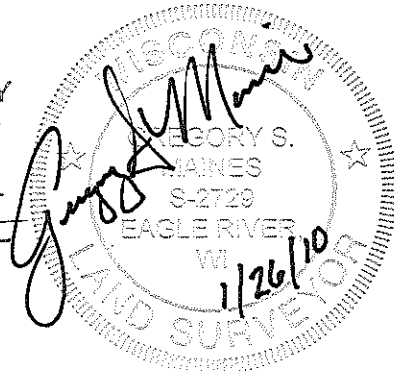
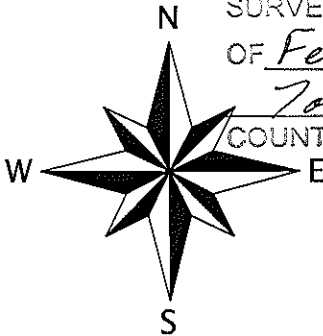
N: 174580.82'
E: 348906.37'
6" sq. granite
monument found



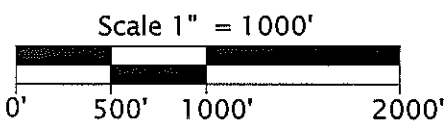
Lincoln County Grid RECEIVED BY LINCOLN COUNTY

SURVEYOR THIS 15th DAY
OF February 20 10

Tom Dalk
COUNTY SURVEYOR



I hereby certify that the information shown hereon is true and correct to the best of my knowledge and belief.



Favorite, Anderson & Maines
Surveying, S.C.

5230 HWY 70 WEST - EAGLE RIVER, WI 54521
PHONE: (715) 479-2570 - FAX: (715) 479-7274

Sec. 28