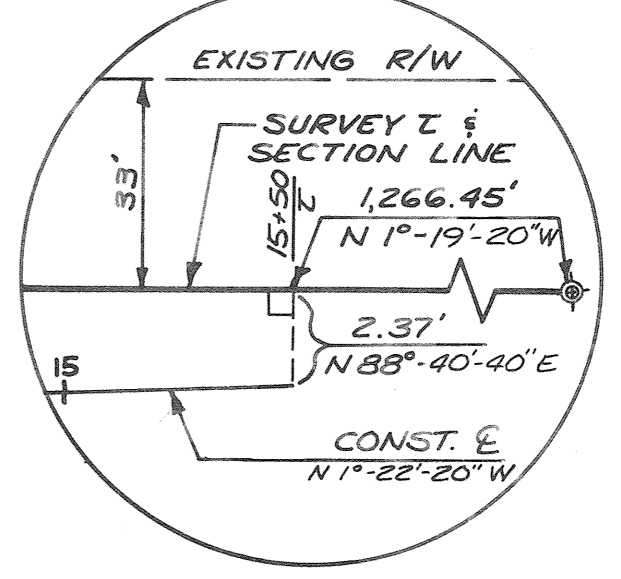
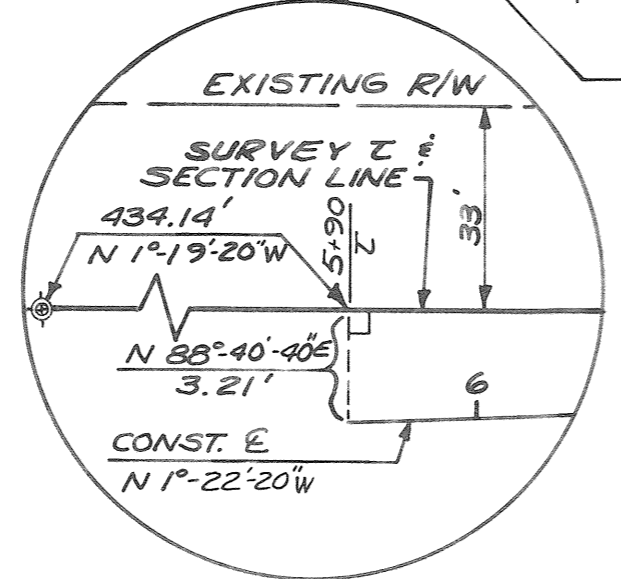
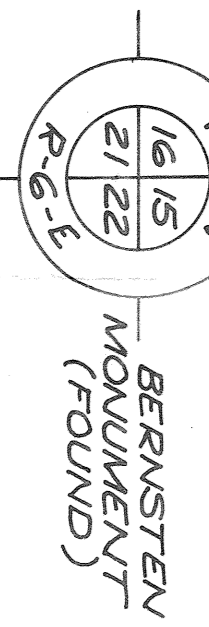
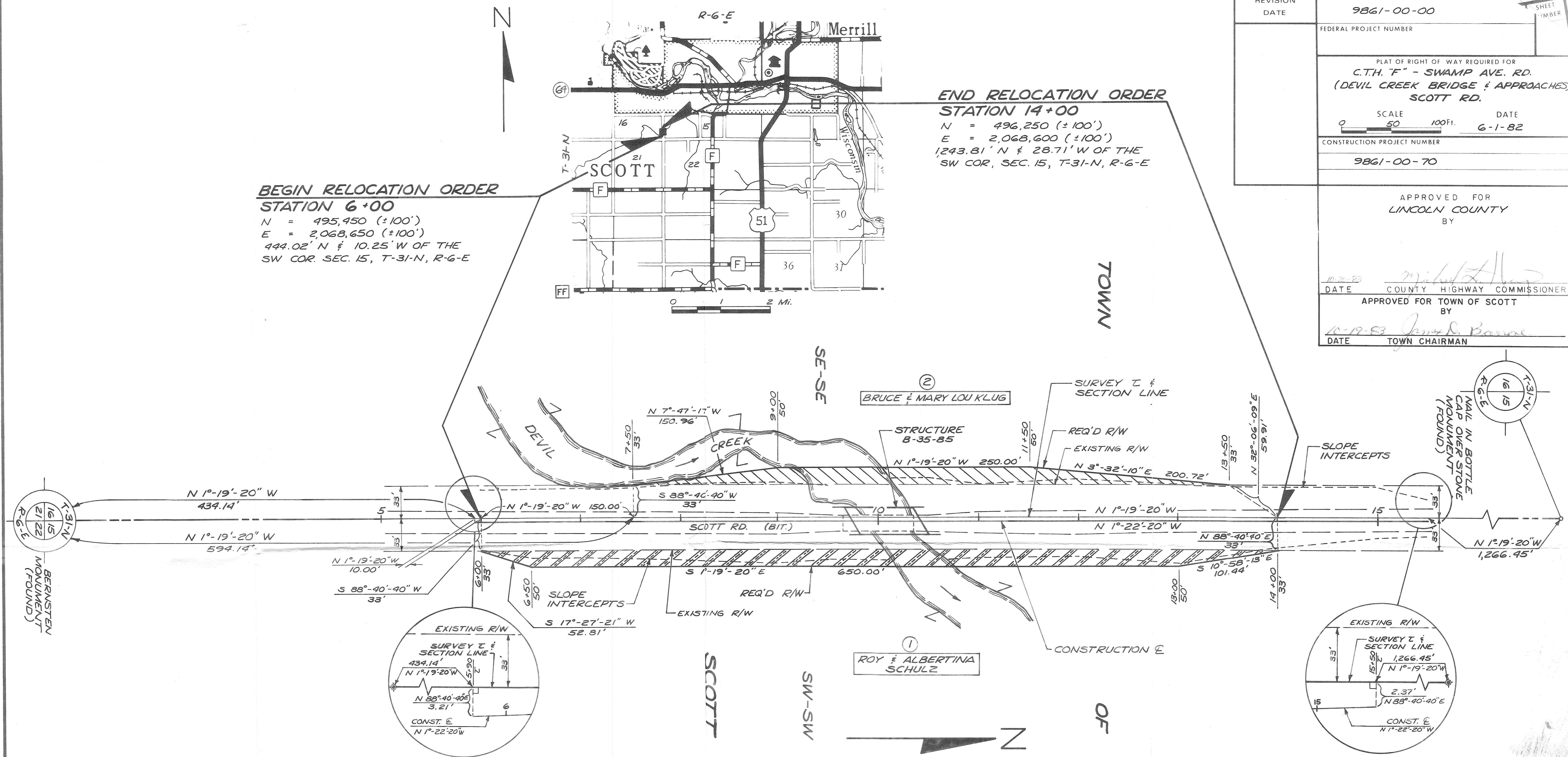


REVISION DATE	R/W PROJECT NUMBER 9861-00-00	SHEET NUMBER
	FEDERAL PROJECT NUMBER	
PLAT OF RIGHT OF WAY REQUIRED FOR C.T.H. "F" - SWAMP AVE. RD. (DEVIL CREEK BRIDGE & APPROACHES) SCOTT RD.		
SCALE 0 50 100 FT.	DATE 6-1-82	
CONSTRUCTION PROJECT NUMBER 9861-00-70		
APPROVED FOR LINCOLN COUNTY BY		
DATE 10-2-83	COUNTY HIGHWAY COMMISSIONER	
APPROVED FOR TOWN OF SCOTT BY		
DATE 10-19-83	TOWN CHAIRMAN	

BEGIN RELOCATION ORDER
STATION 6+00
N = 495,450 (±100')
E = 2,068,650 (±100')
444.02' N & 10.25' W OF THE
SW COR. SEC. 15, T-31-N, R-6-E

END RELOCATION ORDER
STATION 14+00
N = 496,250 (±100')
E = 2,068,600 (±100')
1,243.81' N & 28.71' W OF THE
SW COR. SEC. 15, T-31-N, R-6-E



ALL R/W IS REFERENCED TO THE SECTION LINE.
ALL BEARINGS SHOWN ON THE PLAT ARE REFERENCED TO THE LINCOLN COUNTY RE-MONUMENTATION PROJECT OF 1979.
ALL COORDINATES SHOWN ON THE PLAT ARE REFERENCED TO THE WISCONSIN COORDINATE SYSTEM CENTRAL ZONE AND SCALED FROM MERRIL QUADRANGLE FOR IDENTIFICATION PURPOSES ONLY.

STANDARD ABBREVIATIONS

℄	CENTERLINE
⊥	TRANSIT LINE
R/W	RIGHT-OF-WAY
L.H.E.	LIMITED HIGHWAY EASEMENT
REQ'D	REQUIRED
CONST.	CONSTRUCTION
SEC.	SECTION
COR.	CORNER
BIT.	BITUMINOUS

SCHEDULE OF LANDS AND INTERESTS REQUIRED

PARCEL NUMBER	OWNER	INTEREST REQUIRED	L.H.E. ACRES	ACRES REQUIRED			TOTAL REMAINING ACRES	OPERATIONS PROJECT NUMBER
				NEW R/W REQ'D	EXISTING R/W	TOTAL R/W REQ'D		
2	BRUCE & MARY LOU KLUG	FEE	-	0.17	0.61	0.78	236.62	9861-00-00
1	ROY & ALBERTINA SCHULZ	FEE	-	0.28	0.61	0.89	119.11	"