

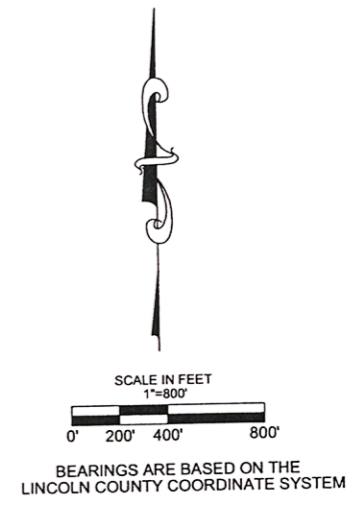
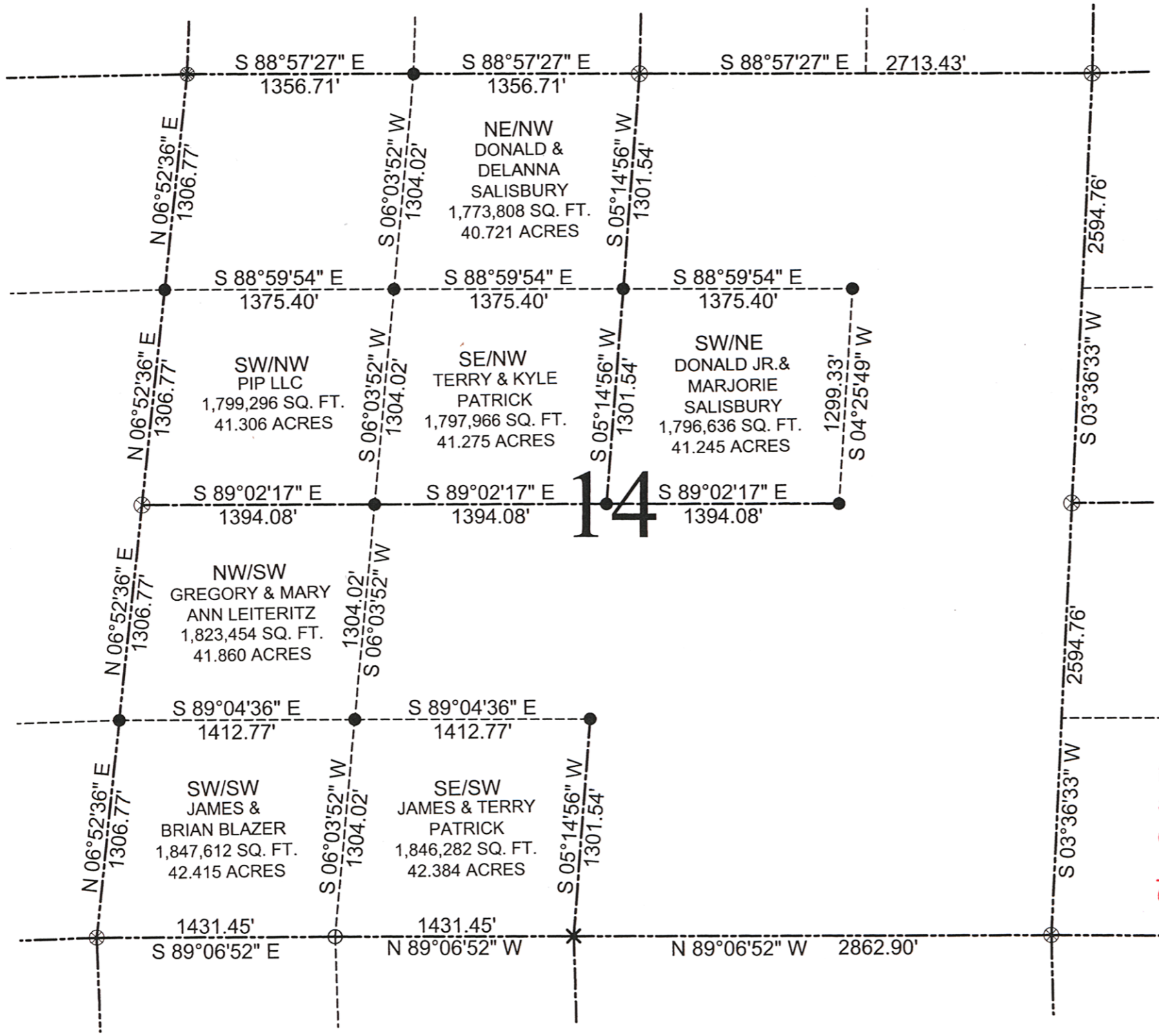
PLAT OF SURVEY

OF
 THE NORTHEAST QUARTER OF THE NORTHWEST QUARTER, SOUTHWEST QUARTER OF THE NORTHWEST QUARTER,
 SOUTHEAST QUARTER OF THE NORTHWEST QUARTER, SOUTHWEST QUARTER OF THE NORTHEAST QUARTER,
 NORTHWEST QUARTER OF THE SOUTHWEST QUARTER, SOUTHWEST QUARTER OF THE SOUTHWEST QUARTER,
 AND THE SOUTHEAST QUARTER OF THE SOUTHWEST QUARTER OF SECTION 14,
 TOWNSHIP 33 NORTH, RANGE 4 EAST, TOWN OF CORNING, LINCOLN COUNTY, WISCONSIN

S290B

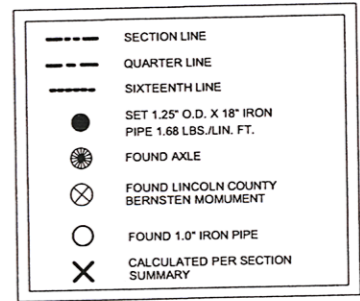
CWE, Inc.
 5707 SCHOFIELD AVE.
 WESTON, WISCONSIN
 54476
 PHONE: (715) 359-9400
 FAX: (715) 355-4199
 general@cwengineers.com
 www.cwengineers.com

PROJECT:
 PLAT OF SURVEY
 SECTION 14
 TOWN OF CORNING
 LINCOLN COUNTY, WISCONSIN



NOTES:
 1. ARIAL PHOTO IS SHOWN FOR REFERENCE ONLY AND IS APPROXIMATE IN LOCATION AND SCALE.

LEGEND



STATE OF WISCONSIN
 COUNTY OF MARATHON

RECEIVED BY LINCOLN COUNTY
 SURVEYOR THIS 26TH DAY
 OF November 20 08
Romy Dahl
 COUNTY SURVEYOR

I, RONALD K. JACOBSON, DO HEREBY CERTIFY THAT I AM A REGISTERED LAND SURVEYOR, LICENSED IN THE STATE OF WISCONSIN; THAT THE SURVEY OF THIS PLAT WAS MADE UNDER MY DIRECTION; THAT THE SURVEY IS TRUE AND COMPLETE AS SHOWN TO THE BEST OF MY KNOWLEDGE AND BELIEF; AND THAT ALL MONUMENTS AND MARKS ARE OF THE CHARACTER AND OCCUPY THE POSITION SHOWN THEREON.

DATE: NOVEMBER 17, 2008 *RKJ*

REVISIONS:

REVISED: 11/26/08 CORRECTED RANGE NUMBER
CWEA Project No.: 36620600
DRAWN BY: T.G.R.
CHECKED BY: RJ
APPROVED BY: RJ
DATE: 11/17/2008
SHEET: 1 OF 1