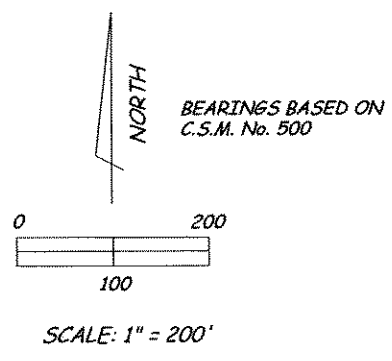
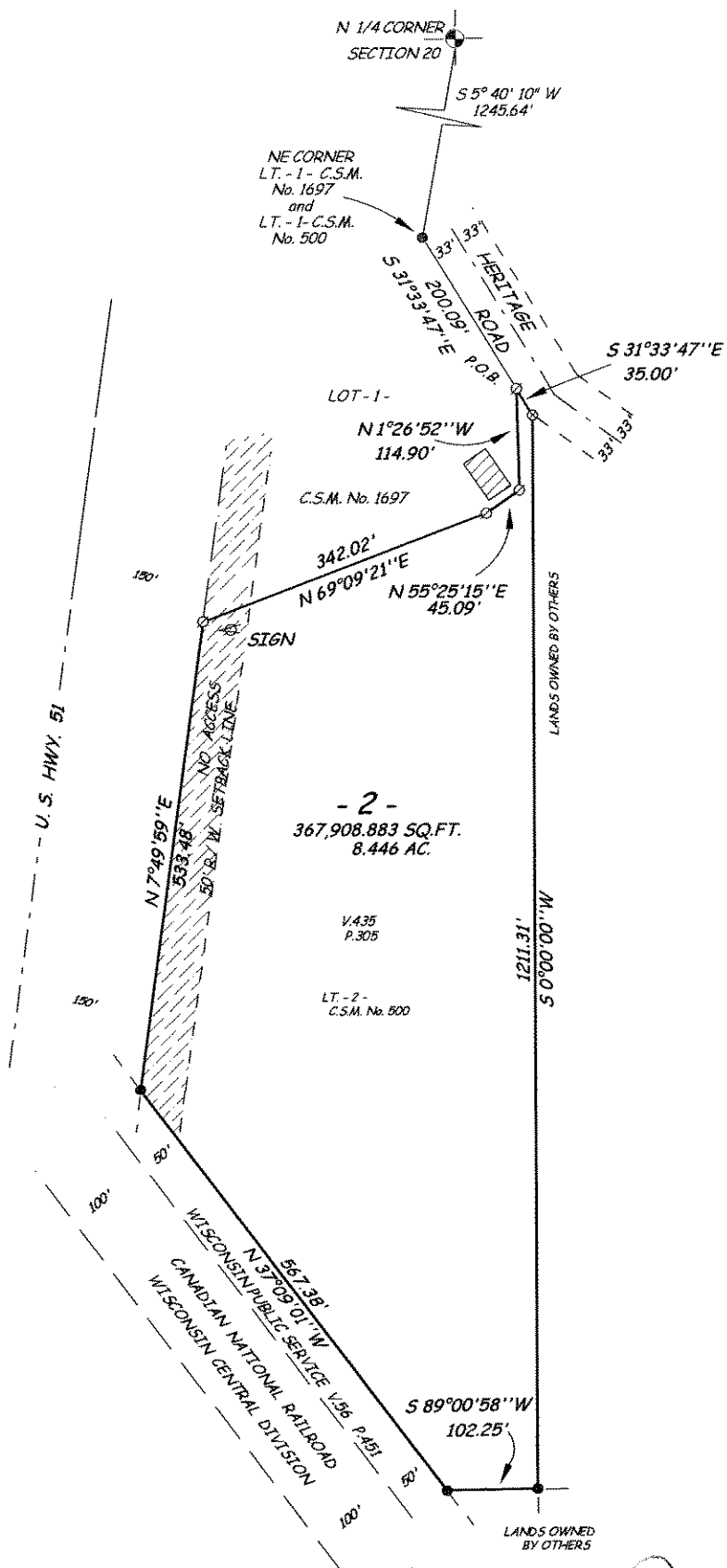


PLAT OF SURVEY

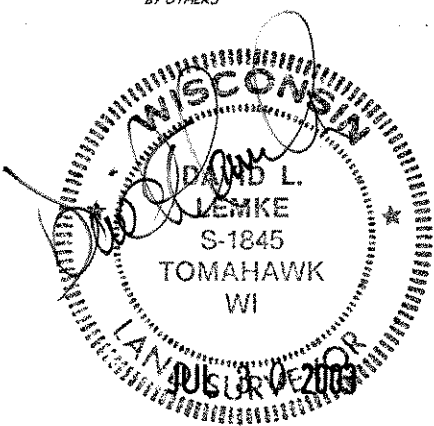
Being a part of
LOT - 2 - OF CERTIFIED SURVEY MAP No. 500
 Located in the
E 1/2 OF THE NW 1/4
SECTION 20, T31N, R7E,
TOWN OF PINE RIVER, LINCOLN COUNTY,
WISCONSIN.



- ⊙ FOUND 1" IRON PIPE
- ⊙ FOUND 1 1/4" IRON PIPE
- FOUND 1" IRON BAR
- ▨ EXISTING STRUCTURE

This parcel of land may experience noise levels exceeding levels in s. Trans 405.04, Table I. These levels are based on federal standards. The Department of Transportation is not responsible for abating noise from existing state highways or connecting highways, in absence of any increase by the department to the highway's through-lane capacity.

RECEIVED AT LINCOLN COUNTY
 COURTHOUSE THIS 15TH DAY
 OF August 20 03
Tom Dull
 LAND INFORMATION OFFICE



I hereby certify to the present owner(s) and / or purchaser(s) of the property included in this survey and to those who mortgage or guarantee title for the present owner(s) or purchaser(s) within one year from the date hereon, that this survey was performed in accordance with acceptable professional standards; that the survey data shown hereon is, to the best of my knowledge, information and belief, a true and accurate representation thereof; that any legal descriptions conforming to this survey have been provided on separate sheets; and that this survey was performed by the order of
 HARVEY WOODWARD
 N 1230 HERITAGE ROAD
 MERRILL, WISCONSIN 54452
 715-536-1700

DRAFTED BY D. LEMKE 13044

Boundary Hunter
 P.O. BOX 442
 TOMAHAWK, WI 54487
 715/453-7035

S 189 A