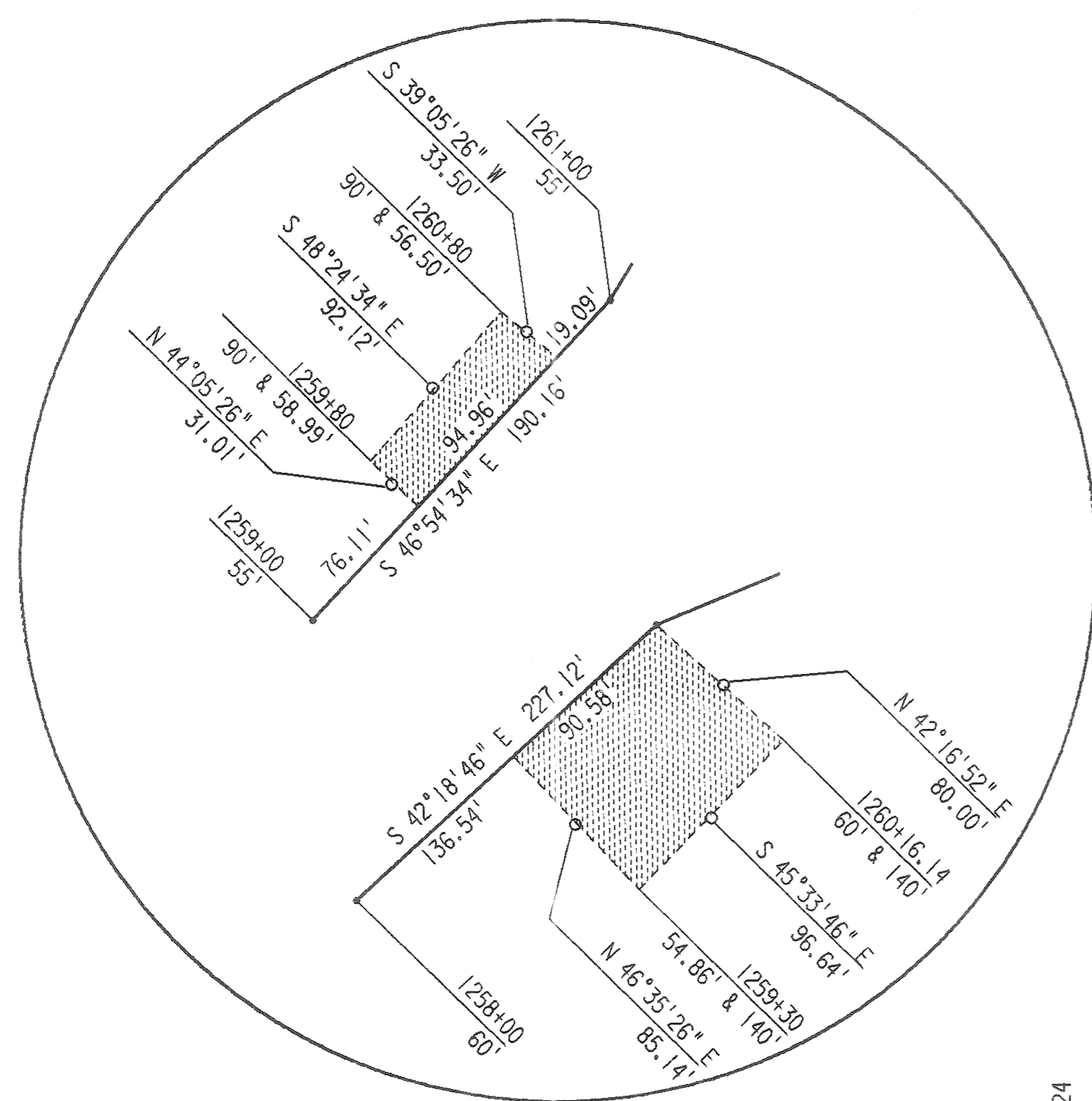
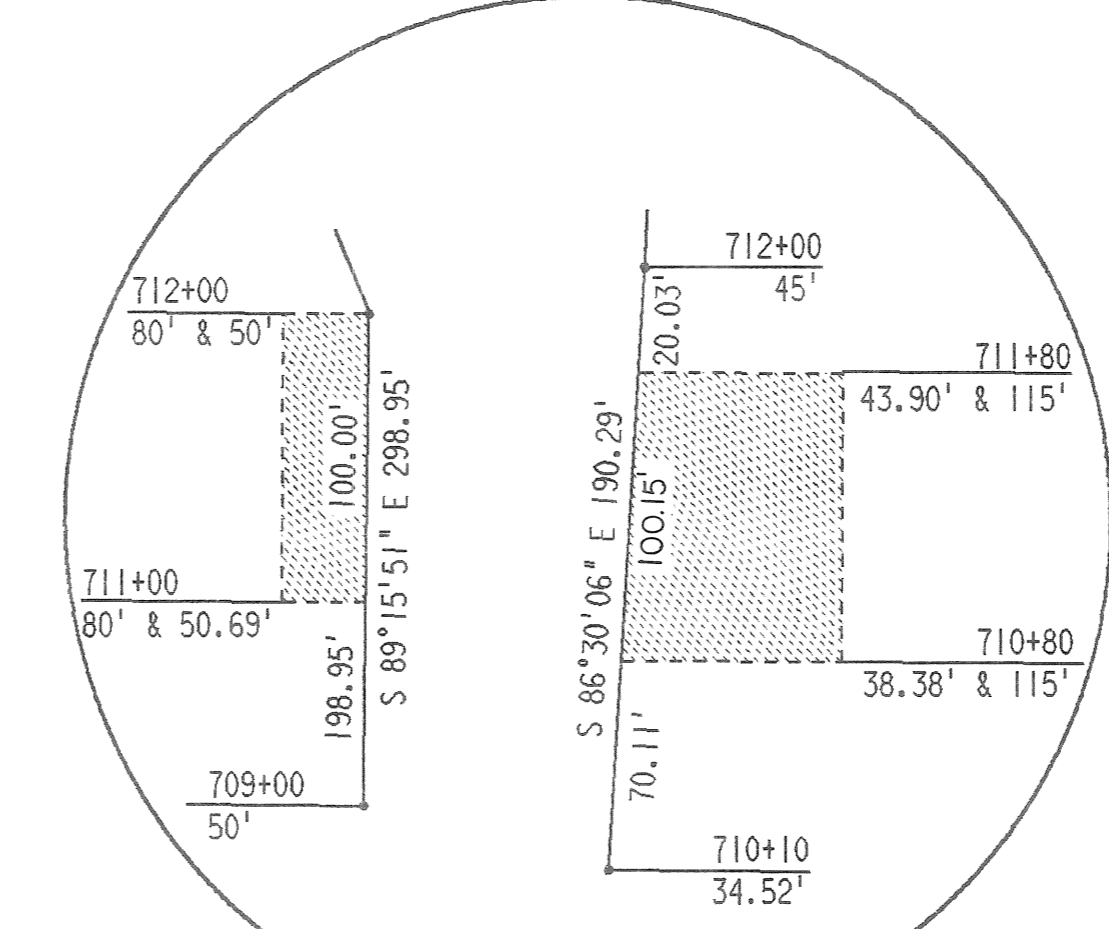
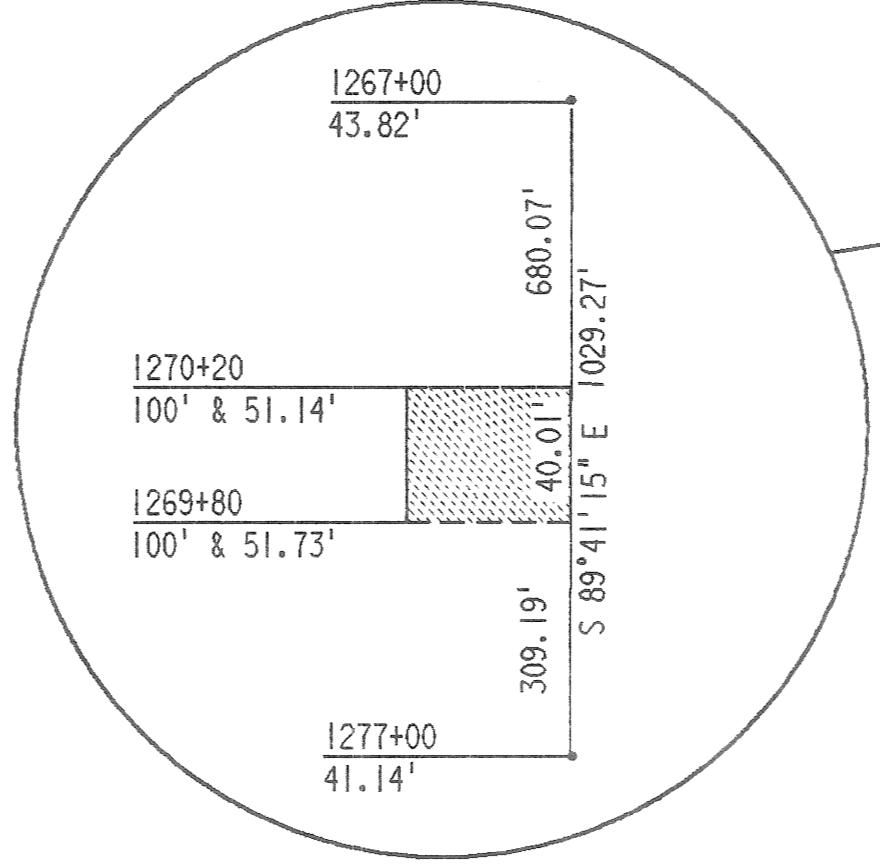


REVISION DATE 9/11/90	ROUTE C.T.H. CC	COUNTY LINCOLN	DATE	R/W PROJECT NUMBER 9408-02-00	SHEET NUMBER 4.9
	SCALE, FT. 0 100 200	GRID FACTOR		FEDERAL PROJECT NUMBER	



DETAIL A



DETAIL B

PI 1262+18.62
 $\Delta = 91^\circ 17' 18''$
 $D = 5^\circ 00' 00''$
 $T = 1171.98'$
 $L = 1825.77'$
 $R = 1145.92'$
 $LC = 1638.69'$
 $S 44^\circ 58' 08'' E$

PI 713+55.00
 $\Delta = 54^\circ 59' 06''$
 $D = 22^\circ 55' 06''$
 $T = 130.10'$
 $L = 239.92'$
 $LC = 280.82'$
 $N 62^\circ 50' 55'' E$

LEVELS ON #2,3,4,5,6,7,8,9,10,11,12,13,14,15,16,17,18,19,20,21,22,23,24,25,26,27,28,29,30,31,32,33,34,35,36,37,38,39,40,41,42,43,44,45,46,47,48,49,50,51,52,53,54,55,56,57,58,59,60,61,62.

PLOT NAME: REV. DATE: ORIGINATOR: