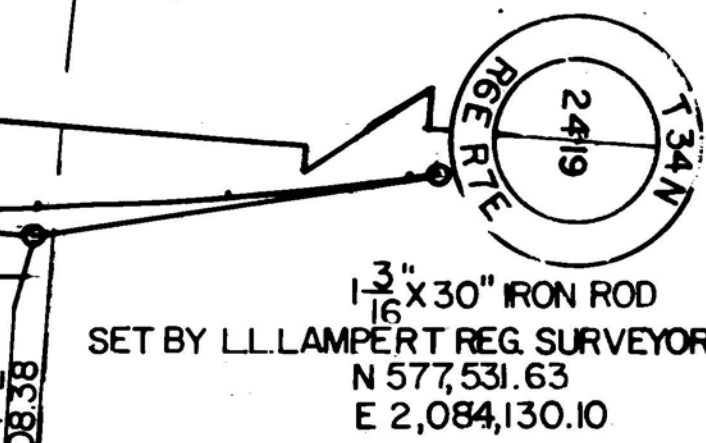
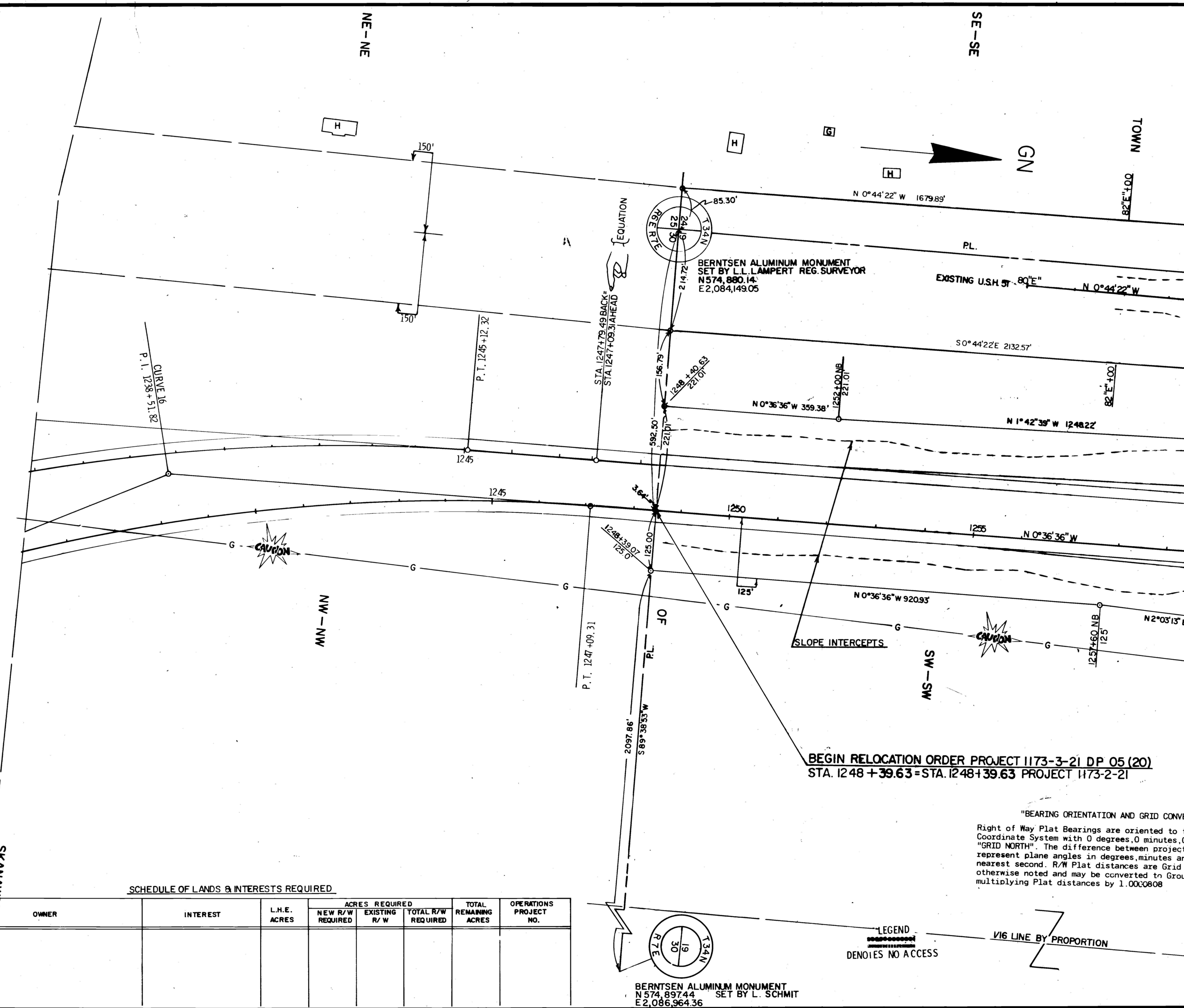


REVISION DATE	PROJECT I. D.	SHEET NUMBER
10-1-79	1173-3-21	4.2
2-14-80	FEDERAL PROJECT DESIGNATION	
1-26-82	DP 05 (20)	
3-15-82 NC	Plat of Right of Way Required	
6-13-83 NC	C.T.H. "S"- U.S.H. 8	
5-17-84 NC	U.S.H. 51	
	Lincoln County	
	SCALE 100 200 Ft.	DATE
		APRIL 4, 1979



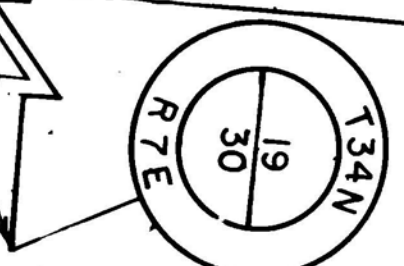
CURVE 1"E"
P.I. 86"E"+08.38
N 576,196.28
E 2,084,196.78
I. 167° 14' 31"
Δ 12° 45' 29"
D. 3° 00'
T. 213.52'
L. 425.26'
E. 11.90'
R. 1909.86'

BEGIN RELOCATION ORDER PROJECT 1173-3-21 DP 05 (20)
STA. 1248 +39.63 = STA. 1248+39.63 PROJECT 1173-2-21

"BEARING ORIENTATION AND GRID CONVERSION"
Right of Way Plat Bearings are oriented to the Wisconsin Coordinate System with 0 degrees, 0 minutes, 0 seconds being "GRID NORTH". The difference between project plat bearings represent plane angles in degrees, minutes and seconds to the nearest second. R/W Plat distances are Grid lengths unless otherwise noted and may be converted to Ground lengths by multiplying Plat distances by 1.0000808

SCHEDULE OF LANDS & INTERESTS REQUIRED

PARCEL NO.	OWNER	INTEREST	L.H.E. ACRES	ACRES REQUIRED			TOTAL REMAINING ACRES	OPERATIONS PROJECT NO.
				NEW R/W REQUIRED	EXISTING R/W	TOTAL R/W REQUIRED		



BERNTSEN ALUMINUM MONUMENT
N 574,897.44 SET BY L. SCHMIT
E 2,086,964.36

LEGEND
 DENOTES NO ACCESS

1/16 LINE BY PROPORTION