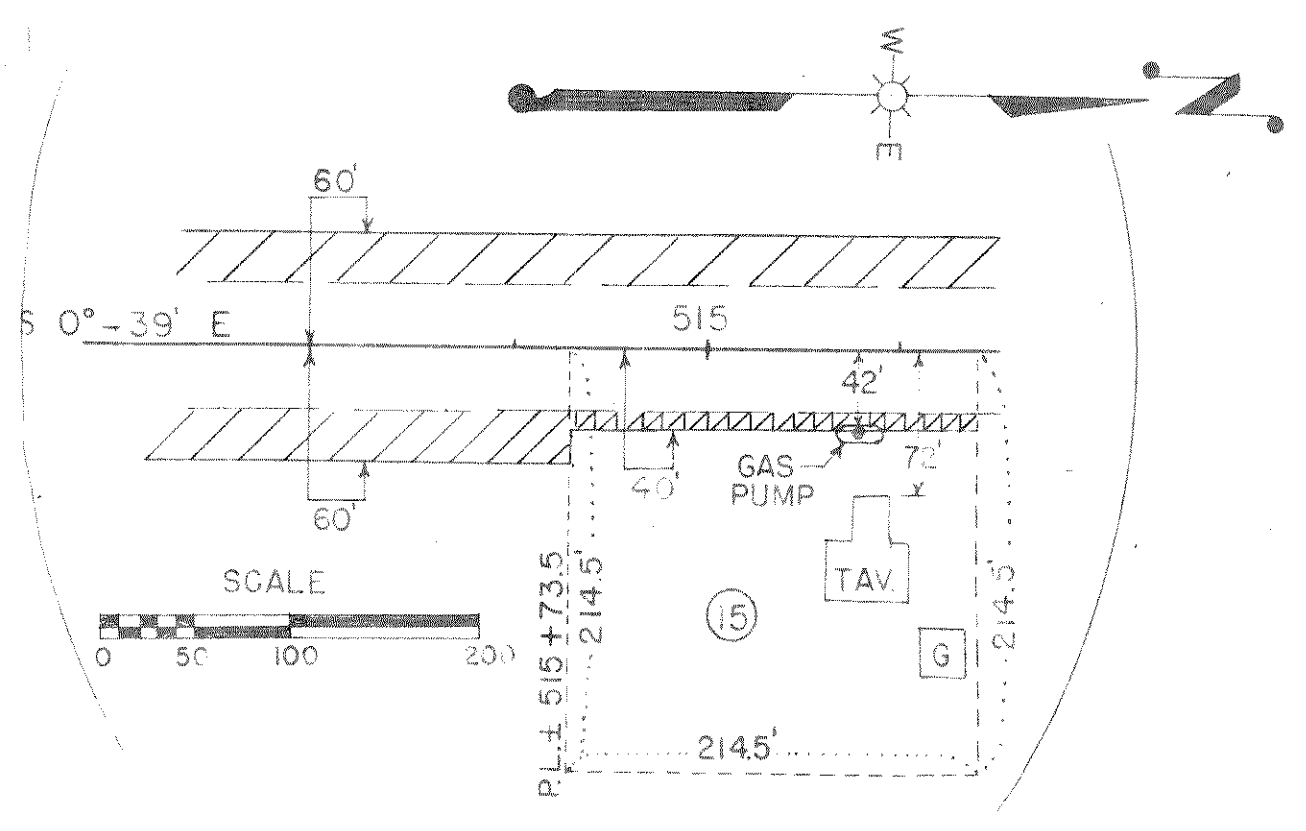


COUNTY AND HIGHWAY	ROUTE AND SECTION	CLASS AND AGREEMENT	FEDERAL DIVISION OFFICE	SHEET NUMBER	TOTAL SHEETS
35.2	393.0	21.1	WIS. 5N	42	



STATE HIGHWAY COMMISSION OF WISCONSIN
 PLAT OF RIGHT OF WAY REQUIRED
 PROJECT T O 393(1)
 MERRILL - ANTIGO ROAD
 S.T.H. 64 LINCOLN COUNTY
 SCALE 0 100 200 400
 LENGTH = 5.804 MILES DATED FEB. 21, 1951