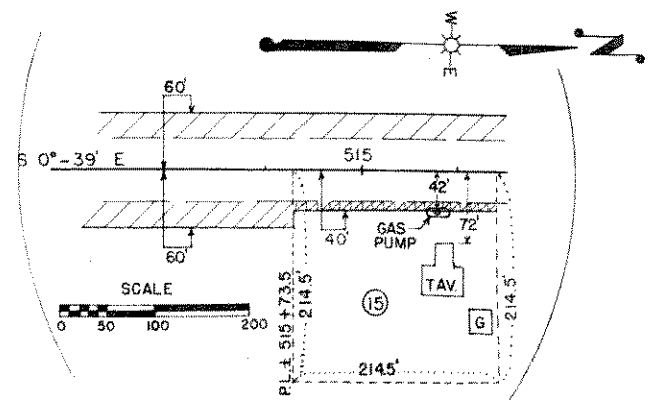
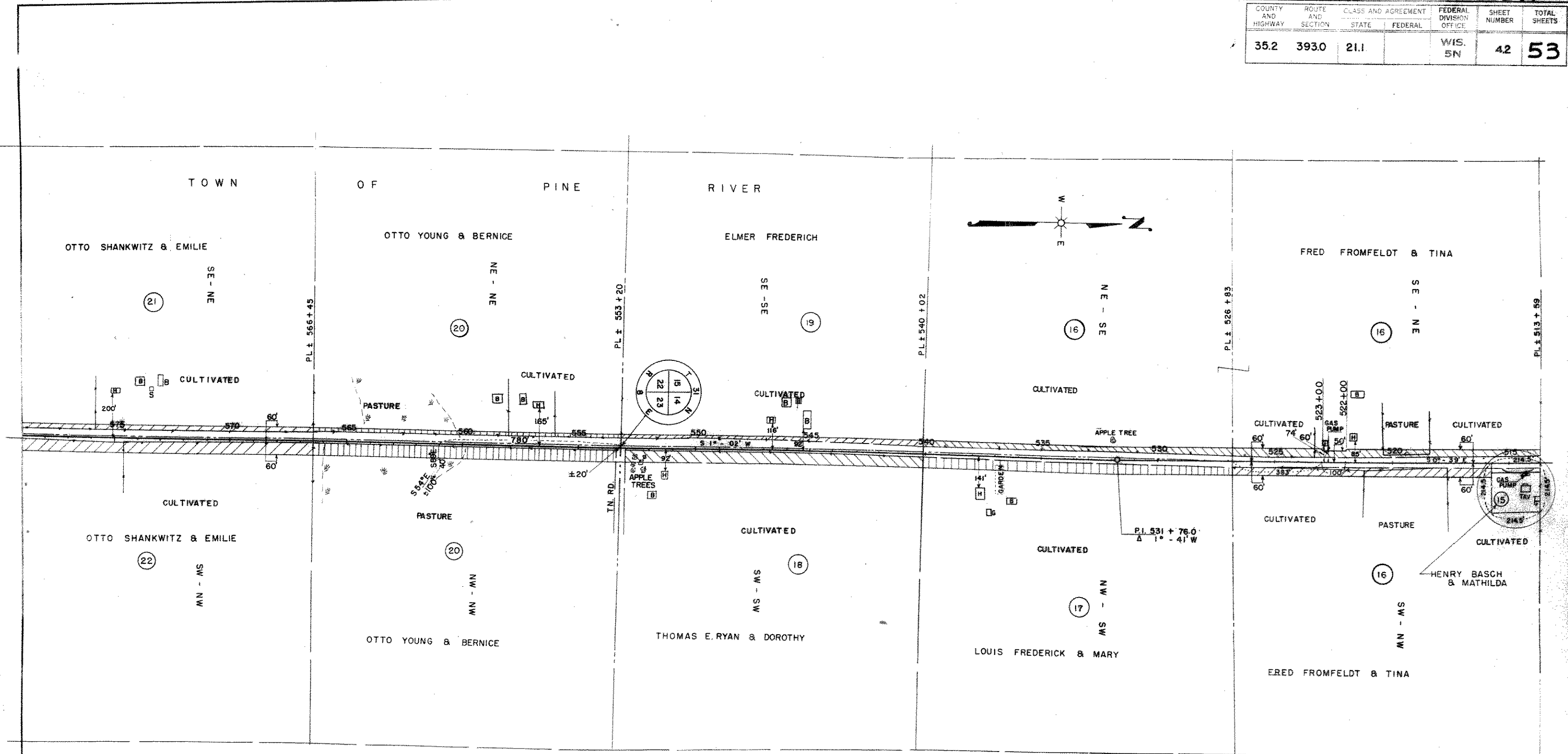


COUNTY AND HIGHWAY	ROUTE AND SECTION	CLASS AND AGREEMENT	FEDERAL DIVISION OFFICE	SHEET NUMBER	TOTAL SHEETS
35.2	393.0	21.1	WIS. 5N	42	53



STATE HIGHWAY COMMISSION OF WISCONSIN  
**PLAT OF RIGHT OF WAY REQUIRED**  
**PROJECT T 0 393(1)**  
 MERRILL - ANTIGO ROAD  
 S.T.H. 64 LINCOLN COUNTY  
 SCALE  
 LENGTH = 5.804 MILES  
 DATED FEB. 21, 1951