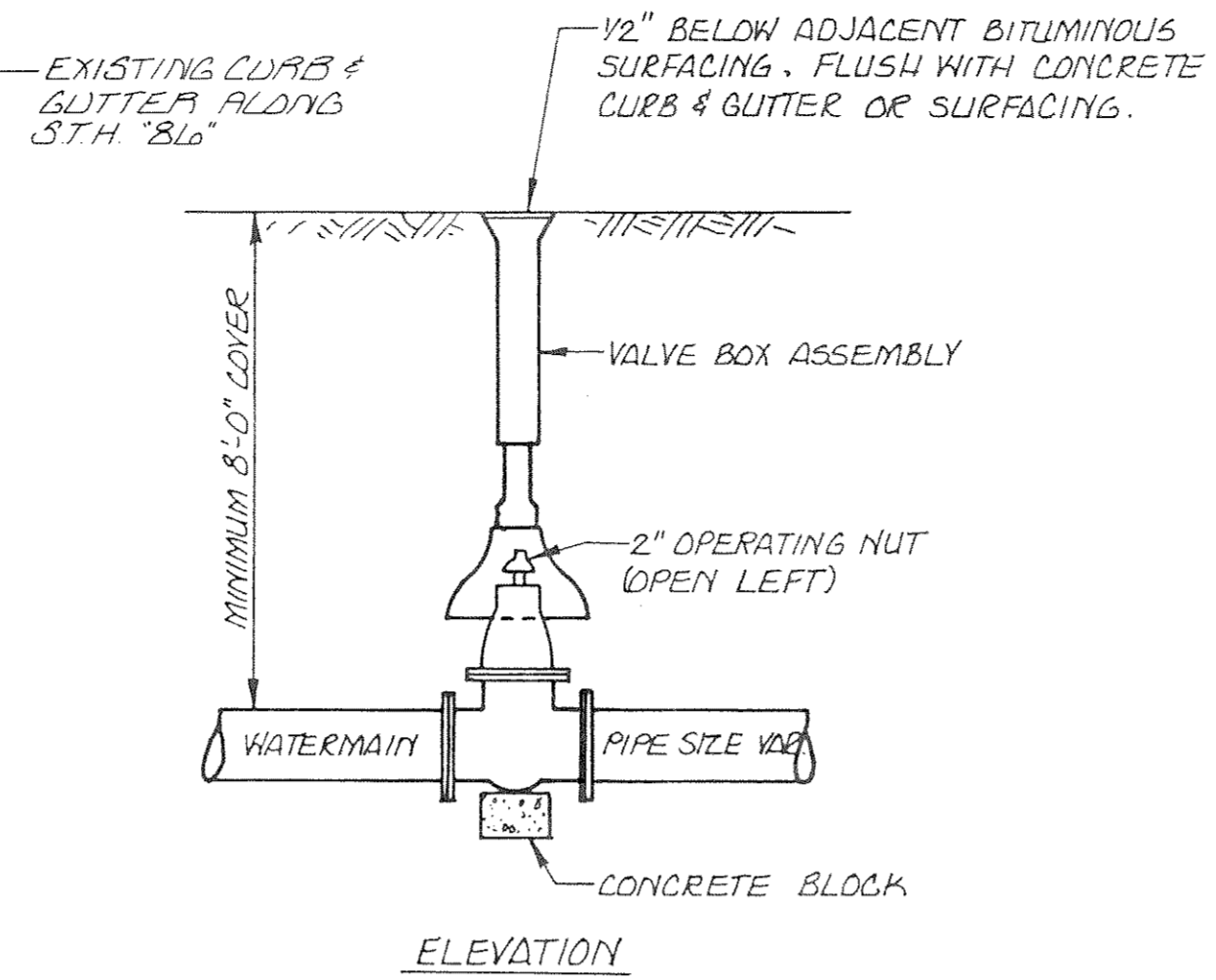
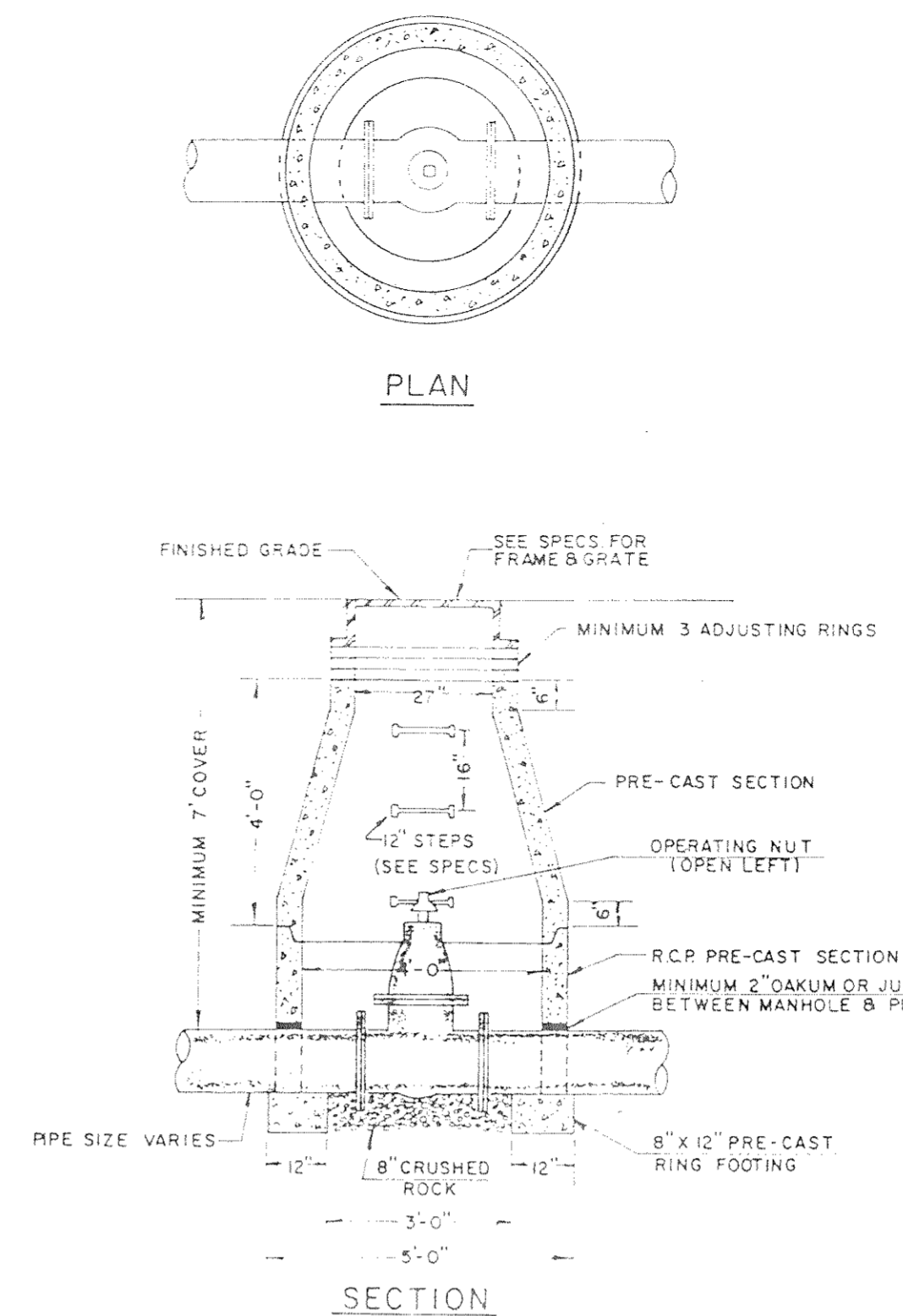


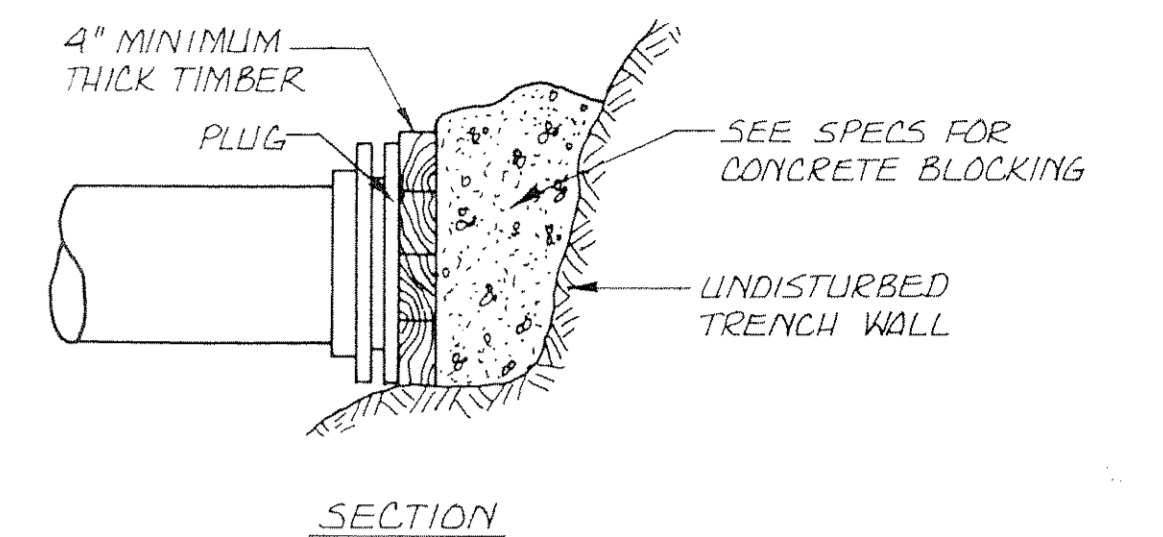
TYPICAL FIRE HYDRANT INSTALLATION



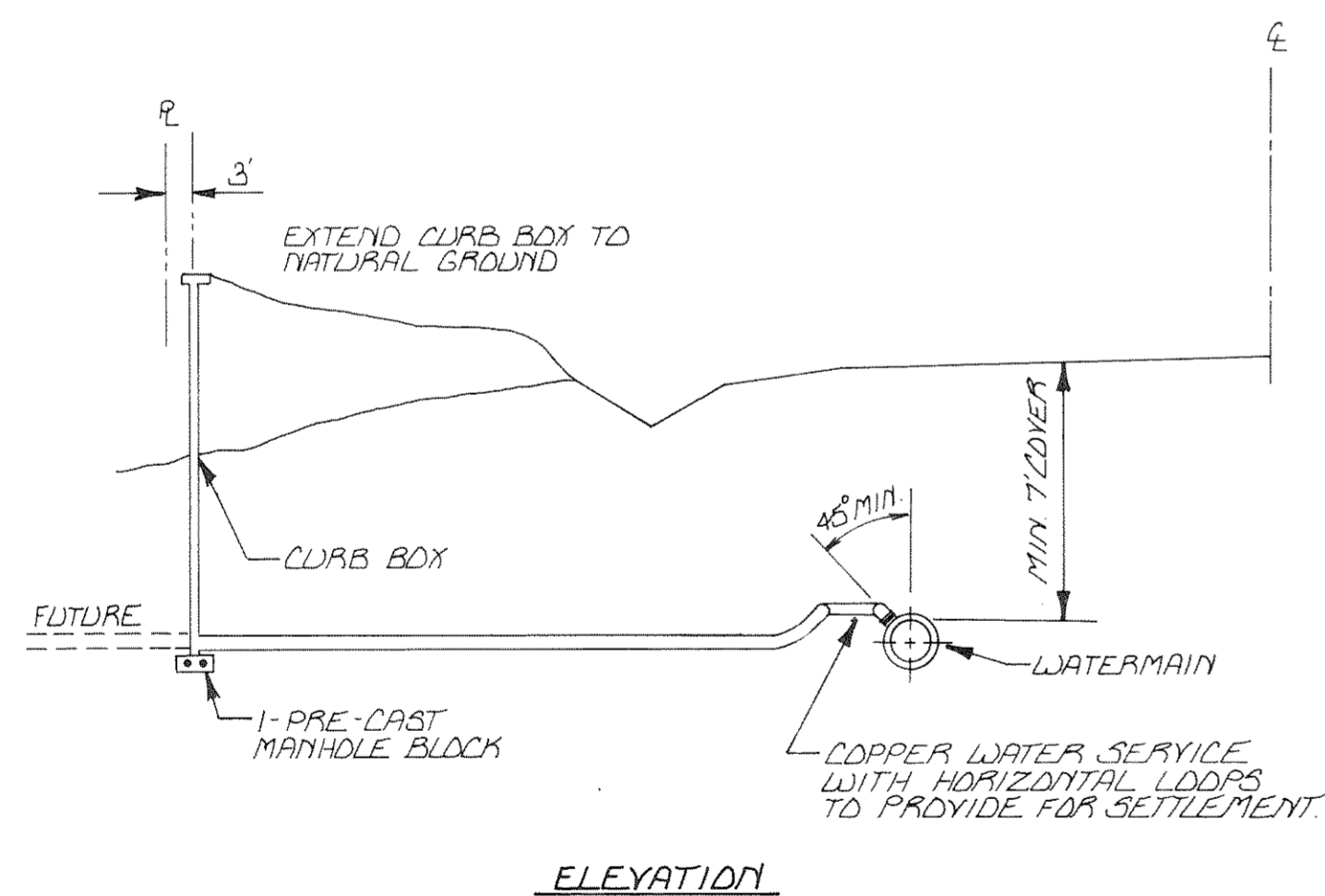
TYPICAL GATE VALVE & BOX INSTALLATION



VALVE MANHOLE DETAIL



TYPICAL "DEAD END" BLOCKING DETAIL



TYPICAL WATER SERVICE CONNECTION

GENERAL NOTES

1. NO TREES ARE TO BE REMOVED WITHOUT APPROVAL OF THE ENGINEER.
2. BORING INFORMATION SHOWN ON THE PLANS WAS FURNISHED BY OWENS ILLINOIS INC. THE BORINGS ARE FOR GENERAL INFORMATION ONLY. IT SHALL BE THE CONTRACTOR'S RESPONSIBILITY TO VERIFY AND INTERPRET THE BORING INFORMATION.
3. THE BORINGS SHOWN THRU THE PIVER CROSSING ARE FROM WDDOT RECORDS. THE CONTRACTOR SHALL BE RESPONSIBLE FOR VERIFICATION AND INTERPRETATION OF THE BORINGS.
4. THE GROUNDWATER PROFILE SHOWN ON THE PLAN/PROFILE SHEETS IS FROM MONITORING WELL DATA AND MAPS FURNISHED BY OWENS ILLINOIS. THE CONTRACTOR SHALL BE RESPONSIBLE FOR VERIFICATION OF THE DATA.
5. UNDERGROUND UTILITY LOCATIONS SHOWN ARE APPROXIMATE. THE CONTRACTOR SHALL COORDINATE UTILITY MARKING AND CONFLICTS WITH THE RESPECTIVE UTILITY.
6. WATERMAIN SERVICE LOCATIONS SHOWN ON THE PLANS ARE APPROXIMATE. THE ACTUAL LOCATION SHALL BE STAKED IN THE FIELD BY THE ENGINEER.
7. ALL WATERMAIN WEST OF ABANDONED C.T.H. "E" ALONG OWENS ILLINOIS INC. LANDFILL AND WEST KRAFT ROAD SHALL BE WRAPPED WITH AN APPROVED POLYETHYLENE WRAP.

SURVEY:	CHECKED BY:	NO.	DATE	REVISIONS
	DESIGN:			
DRAWN:				



SHORT - ELLIOTT - HENDRICKSON, INC.
Wausau, Wisconsin • Chippewa Falls, Wisconsin

OWENS-ILLINOIS, INC.
TOMAHAWK, WISCONSIN

DETAILS

FILE NO.:	86177	3
DATE:	5/30/86	12