

DRAWN BY: M. HAMLIN

CHK'D BY:

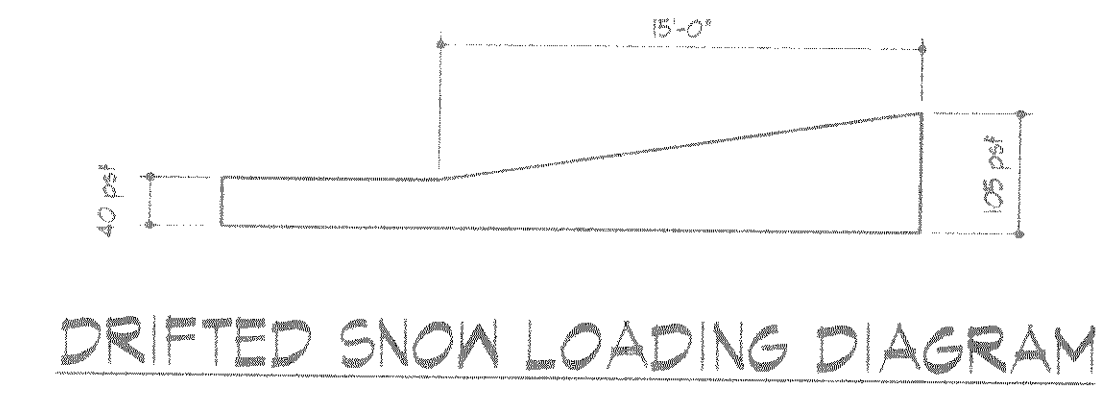
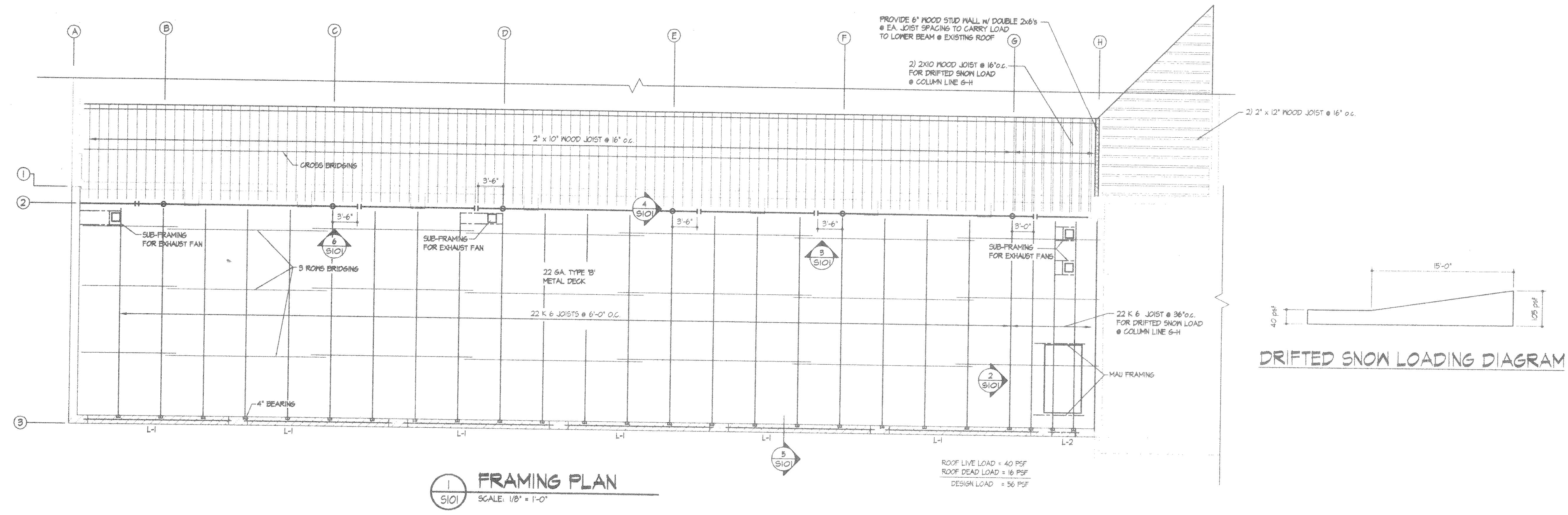
DATE: 14 JULY 2000

SCALE:

REVISIONS:

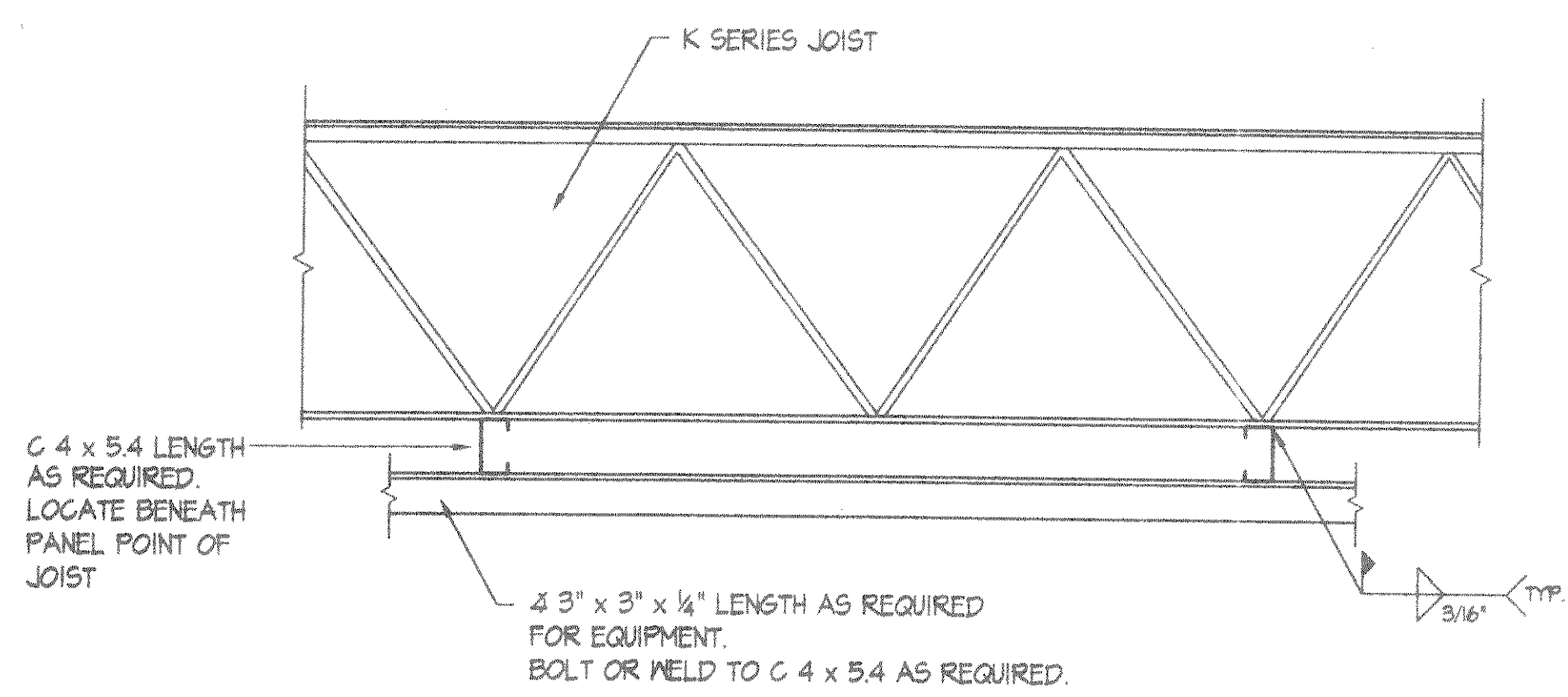
NO.	DESCRIPTION	DATE

NOTES:

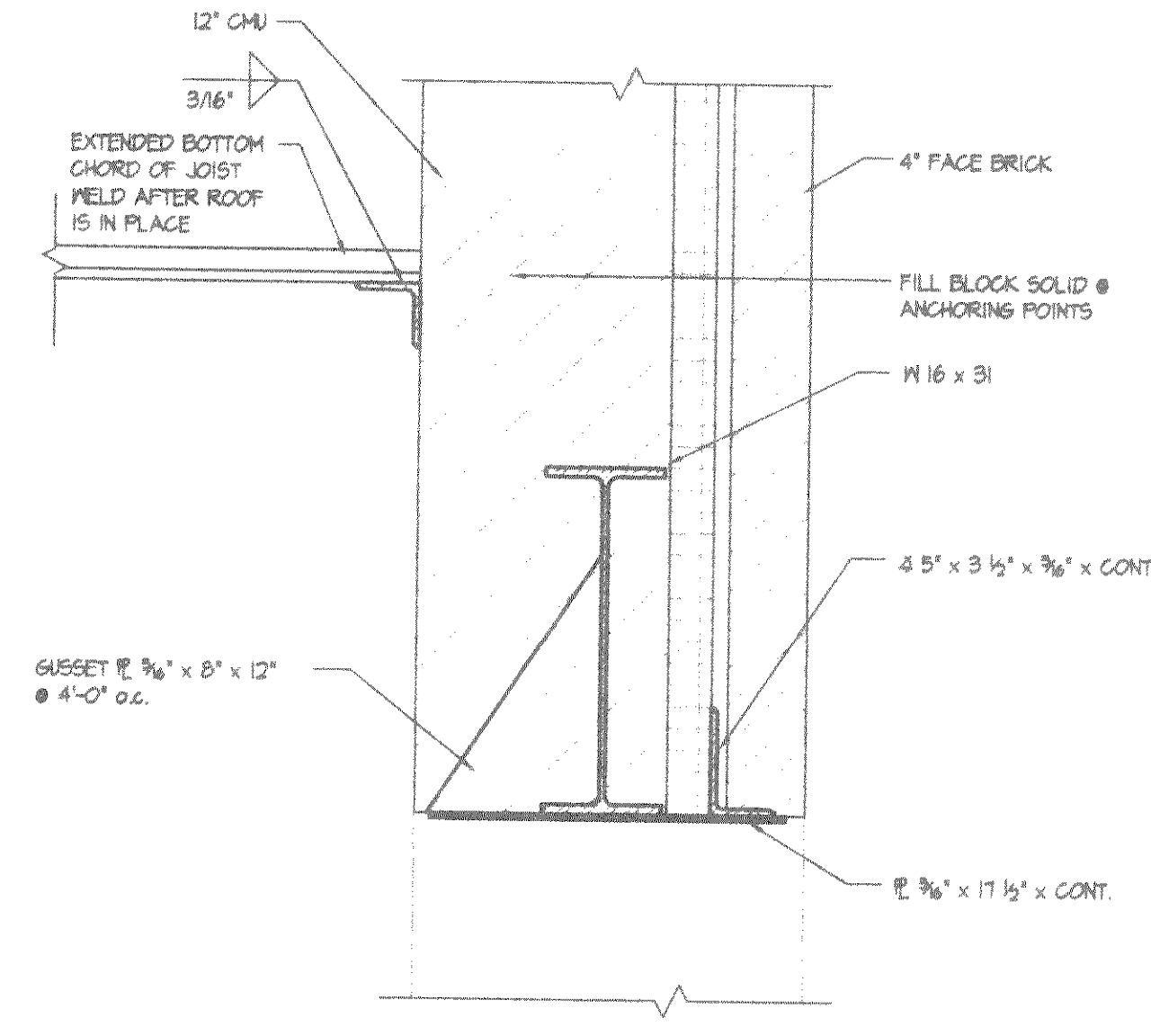


ROOF LIVE LOAD = 40 PSF  
 ROOF DEAD LOAD = 16 PSF  
 DESIGN LOAD = 56 PSF

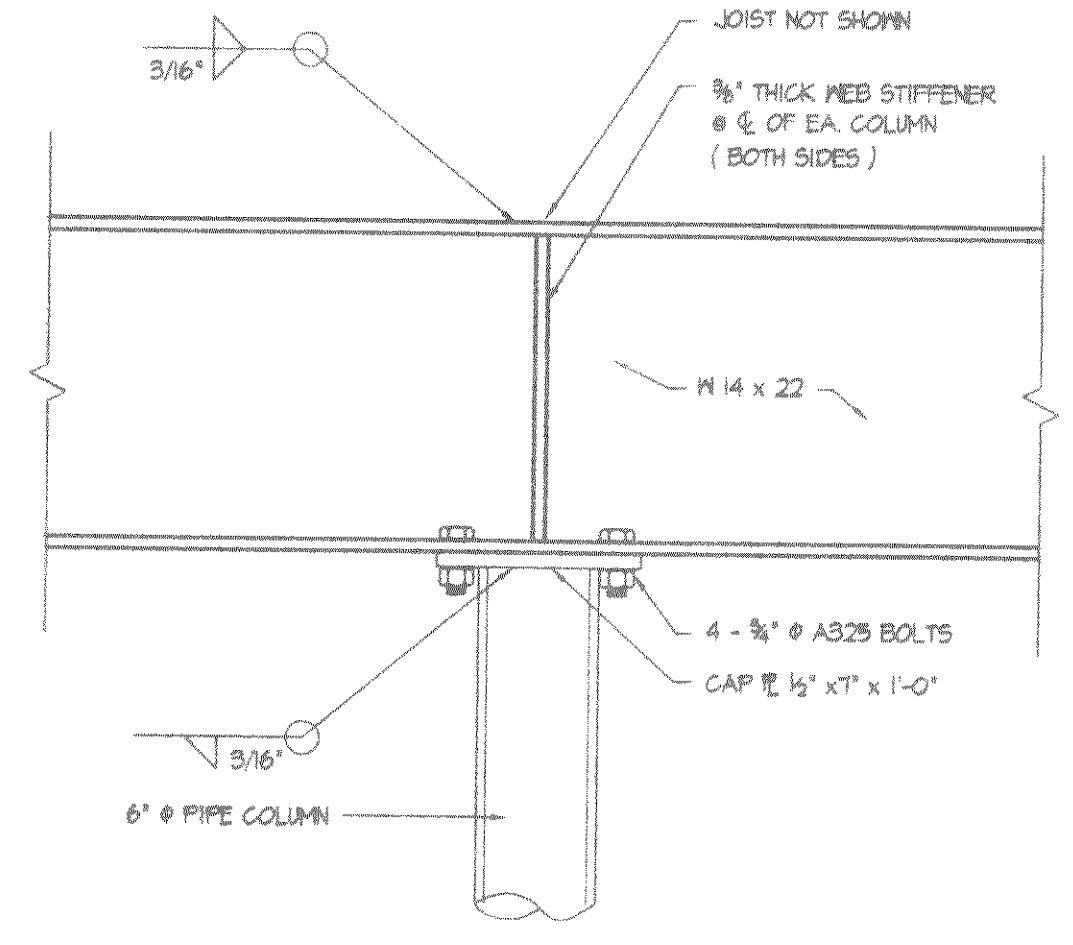
1 FRAMING PLAN  
 S101 SCALE: 1/8" = 1'-0"



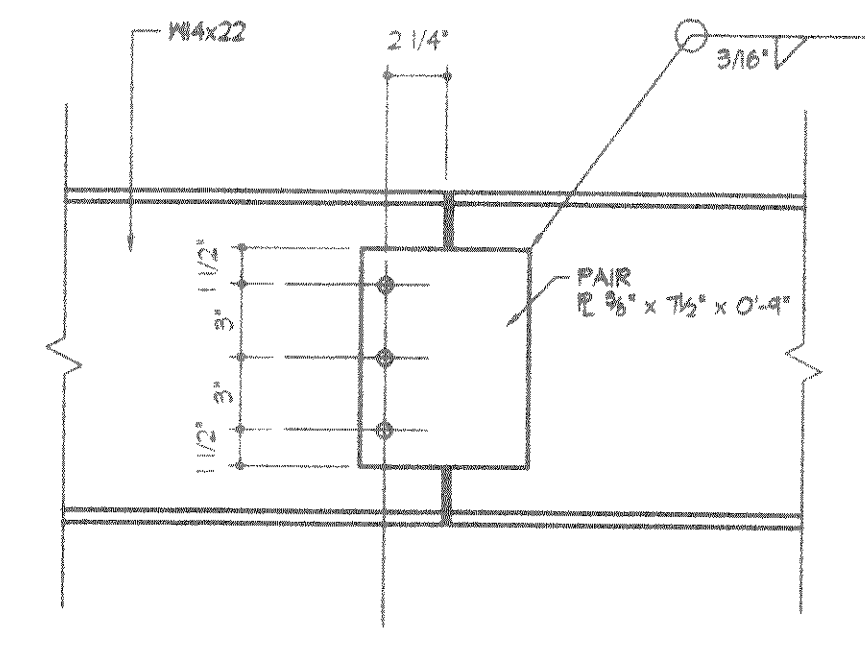
2 TYP. JOIST HANGER  
 S101 SCALE: NO SCALE



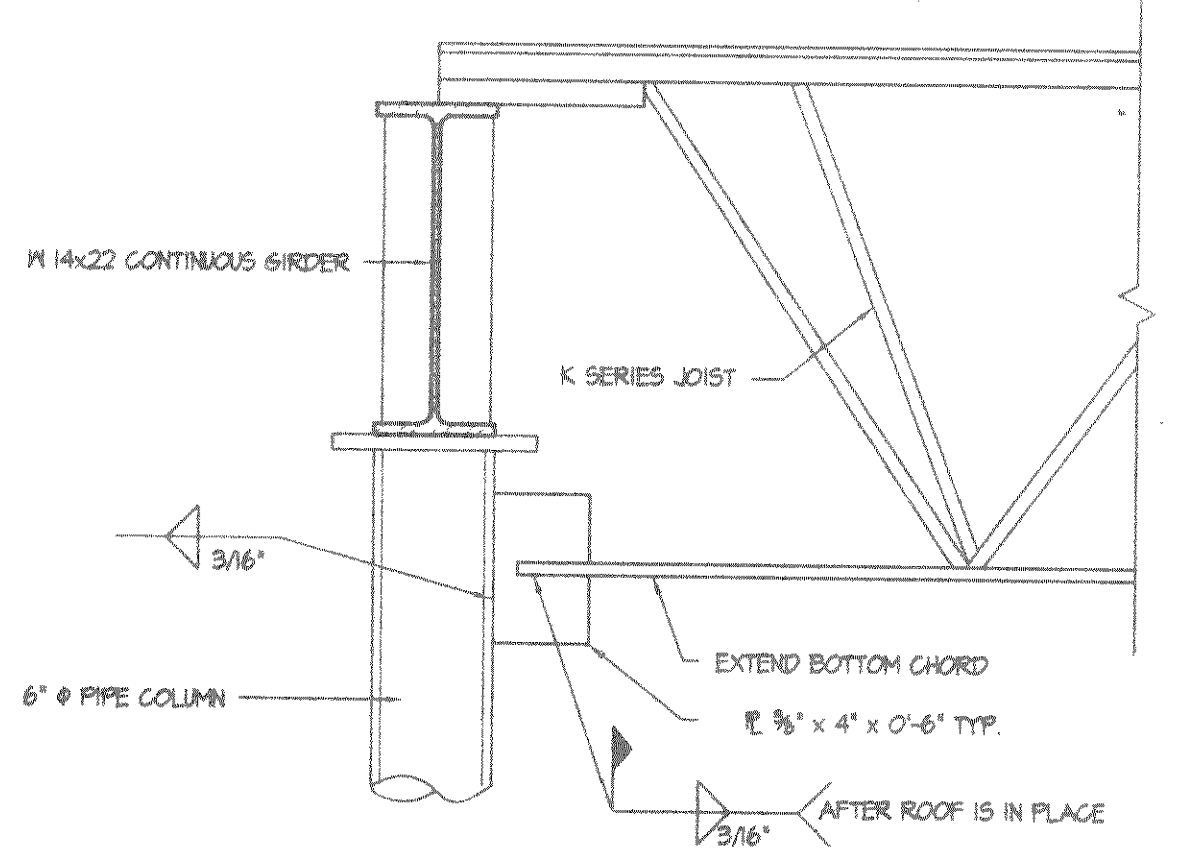
5 "L-1" LINTEL DETAIL  
 S101 SCALE: 1 1/2" = 1'-0"



6 TYPICAL COLUMN DTL.  
 S101 SCALE: 1 1/2" = 1'-0"



3 TYPICAL SPLICE @ GIRDER  
 S101 SCALE: 1 1/2" = 1'-0"



4 TYPICAL BOTTOM CHORD EXTENSION  
 S101 SCALE: 1 1/2" = 1'-0"

**BHA**  
**BECHER-HOPPE ASSOCIATES INC.**  
 ENGINEERS ARCHITECTS SCIENTISTS  
 330 Fourth Street • P.O. Box 8000 • Wausau, WI • 54402-8000  
 Tel: 715-845-8000 • Fax: 715-845-8008 • www.bhaassoc.com

SUBCONSULTANTS:

PROJECT:  
**LINCOLN COUNTY VEHICLE STORAGE GARAGE ADDITION**

OWNER:  
 LINCOLN COUNTY HIGHWAY DEPARTMENT

SHEET TITLE:  
**STRUCTURAL FRAMING PLAN**

PROJECT NUMBER: 99029

DWG. FILE NAME: FOUNDATION

**S101**

SHEET NUMBER 8 OF 12