

DRAWN BY: M. HAMLIN

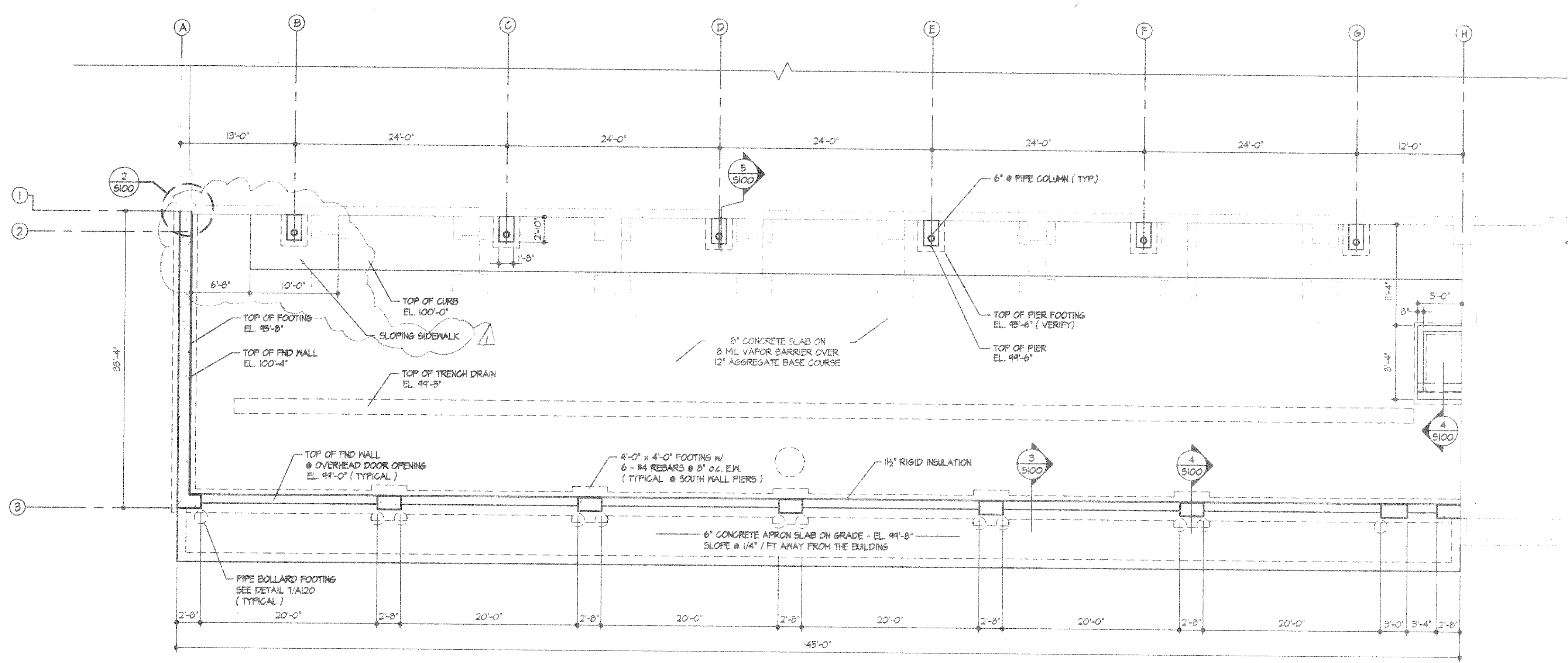
CHK'D BY:

DATE: 12 JULY 2000

SCALE:

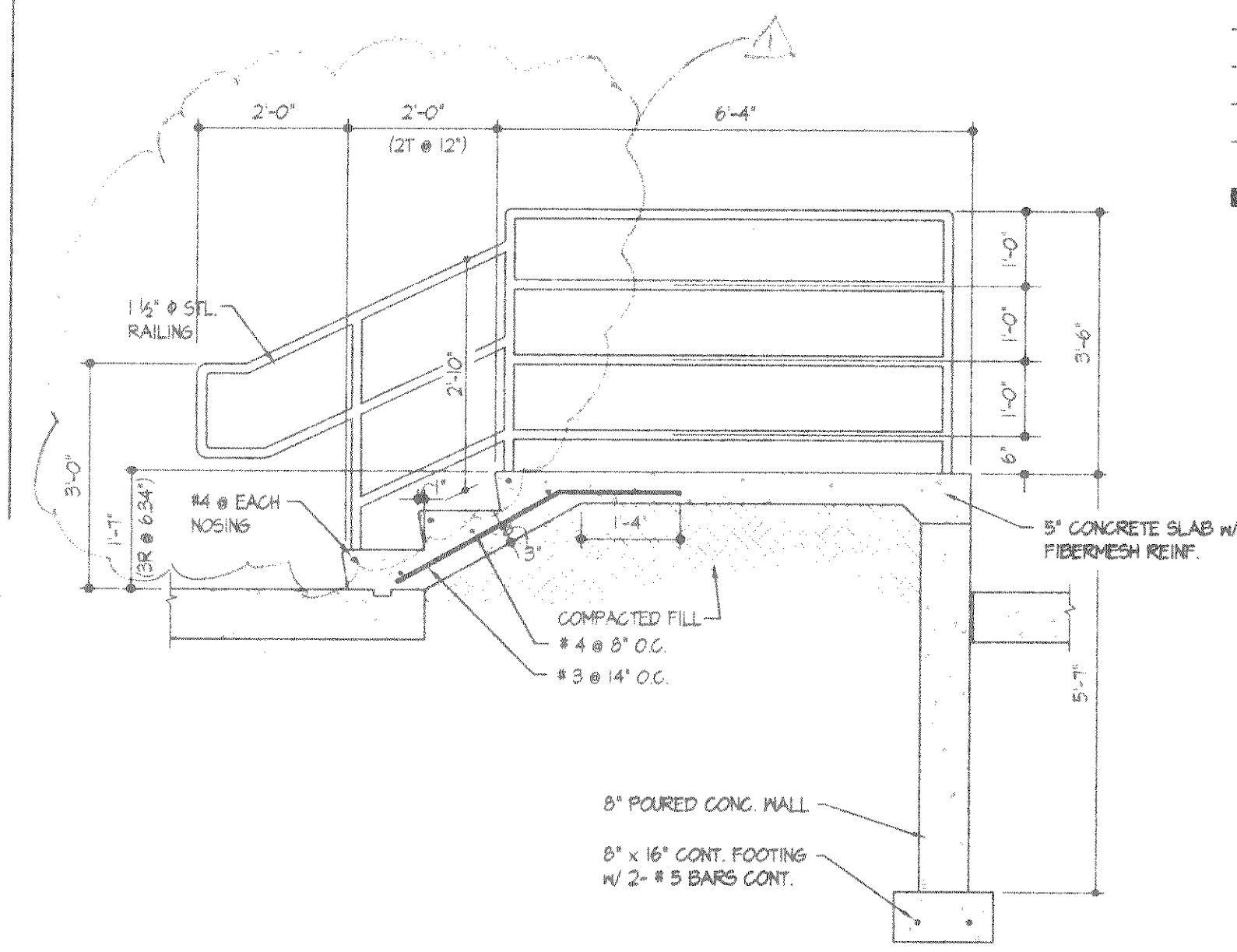
NO.	DESCRIPTION	DATE
1	REV. DATE APPROVAL	8/9/00

NOTES:

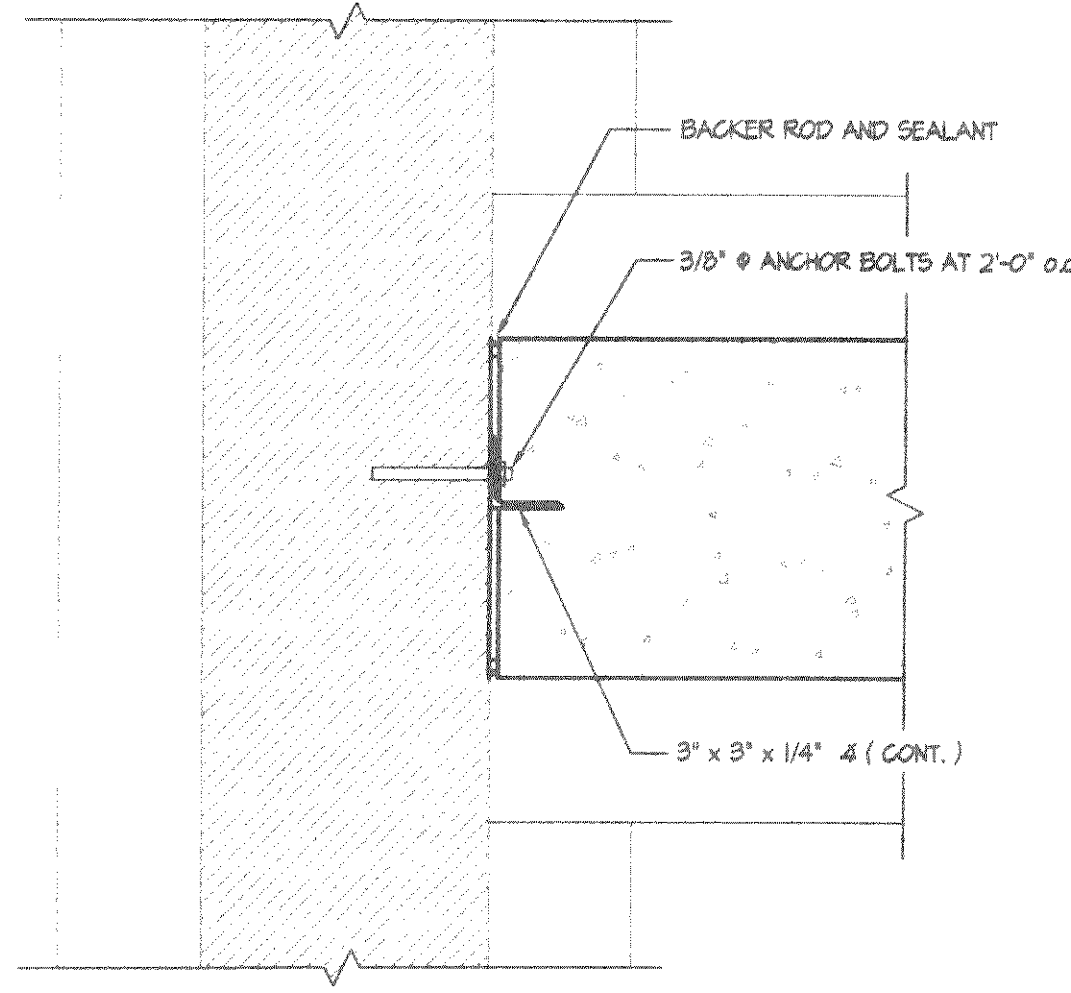


1 FOUNDATION PLAN
SCALE: 1/8" = 1'-0"

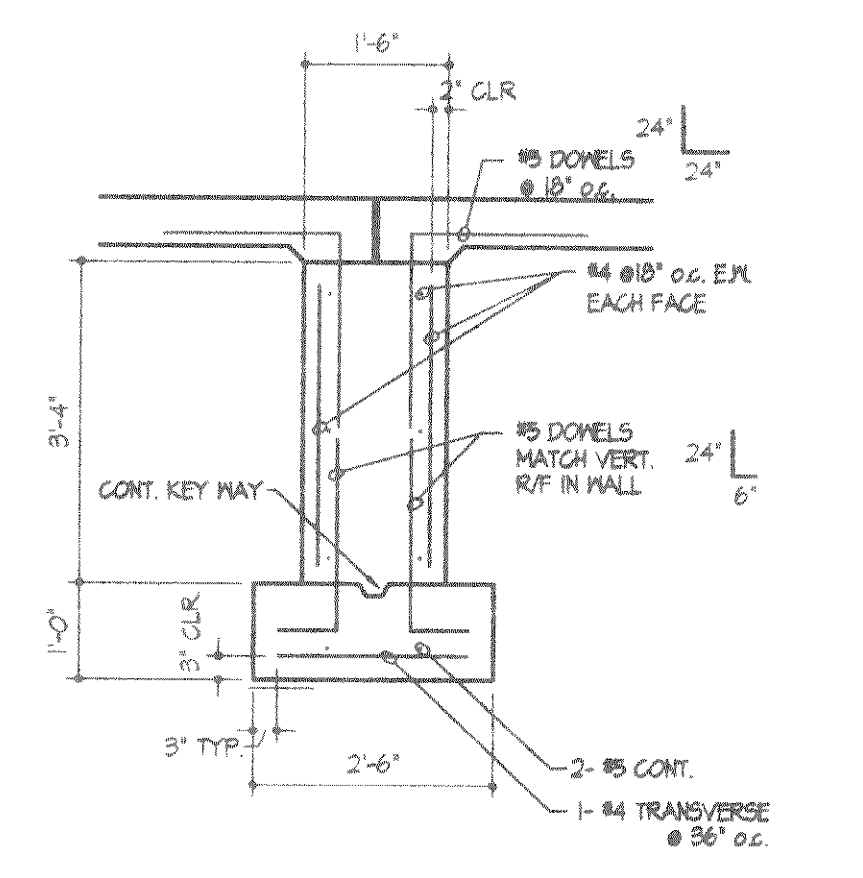
- GENERAL STRUCTURAL NOTES:**
- FOOTINGS ARE TO BEAR ON FIRM UNDISTURBED SOIL CAPABLE OF SUPPORTING A LOAD OF 1500 PSF. IF SOIL IS NOT CAPABLE OF SUPPORTING THIS LOAD AT THE ELEVATIONS SHOWN, DROP FOOTING TO REG'D STRATA.
 - ALL FLOOR AND PAVEMENT SLABS SHALL REST ON FILL COMPACTED TO 95% (ASTM D-1557).
 - ALL CONCRETE SHALL DEVELOP A STRENGTH AS SPECIFIED IN SPECIFICATIONS.
 - REINFORCING BARS SHALL BE INTERMEDIATE GRADE DEFORMED NEW BILLET STEEL (ASTM A-305).
 - BAR LAPS AND COVERAGE SHALL CONFORM TO BUILDING CODE REQUIREMENTS FOR REINFORCED CONCRETE (ACI 318-63).
 - TOP AND BOTTOM BARS TO BE SHOWN ARE TO BE CONTINUOUS IN ALL FTGS. PROVIDE CORNER BARS AT ALL OUTSIDE CORNERS.



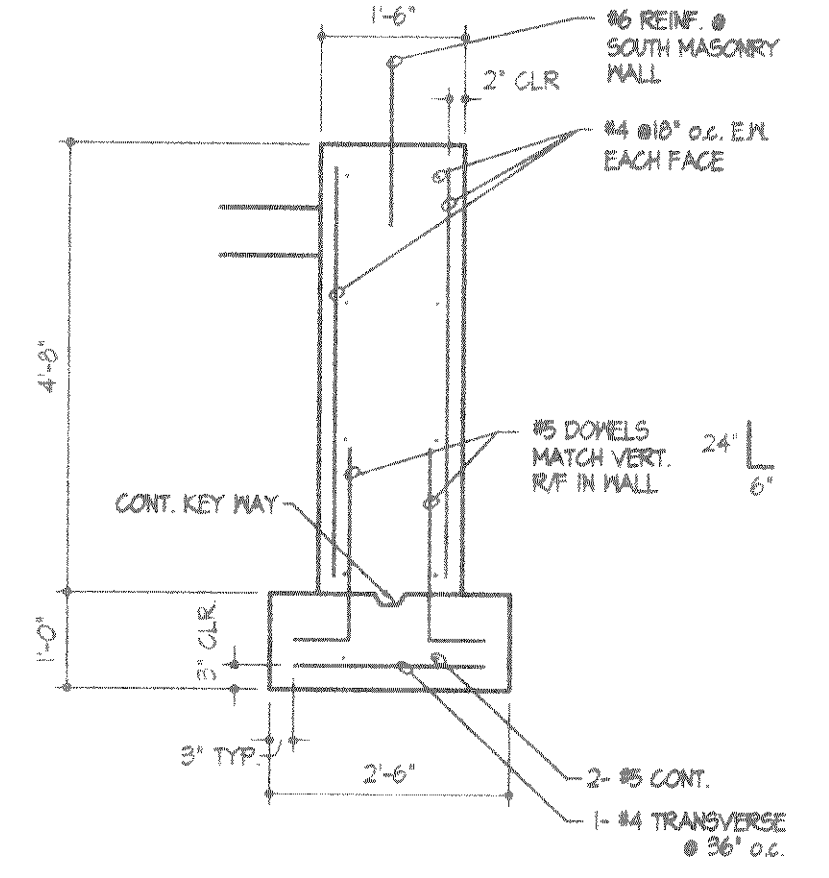
6 STAIR SECTION
SCALE: 1/2" = 1'-0"



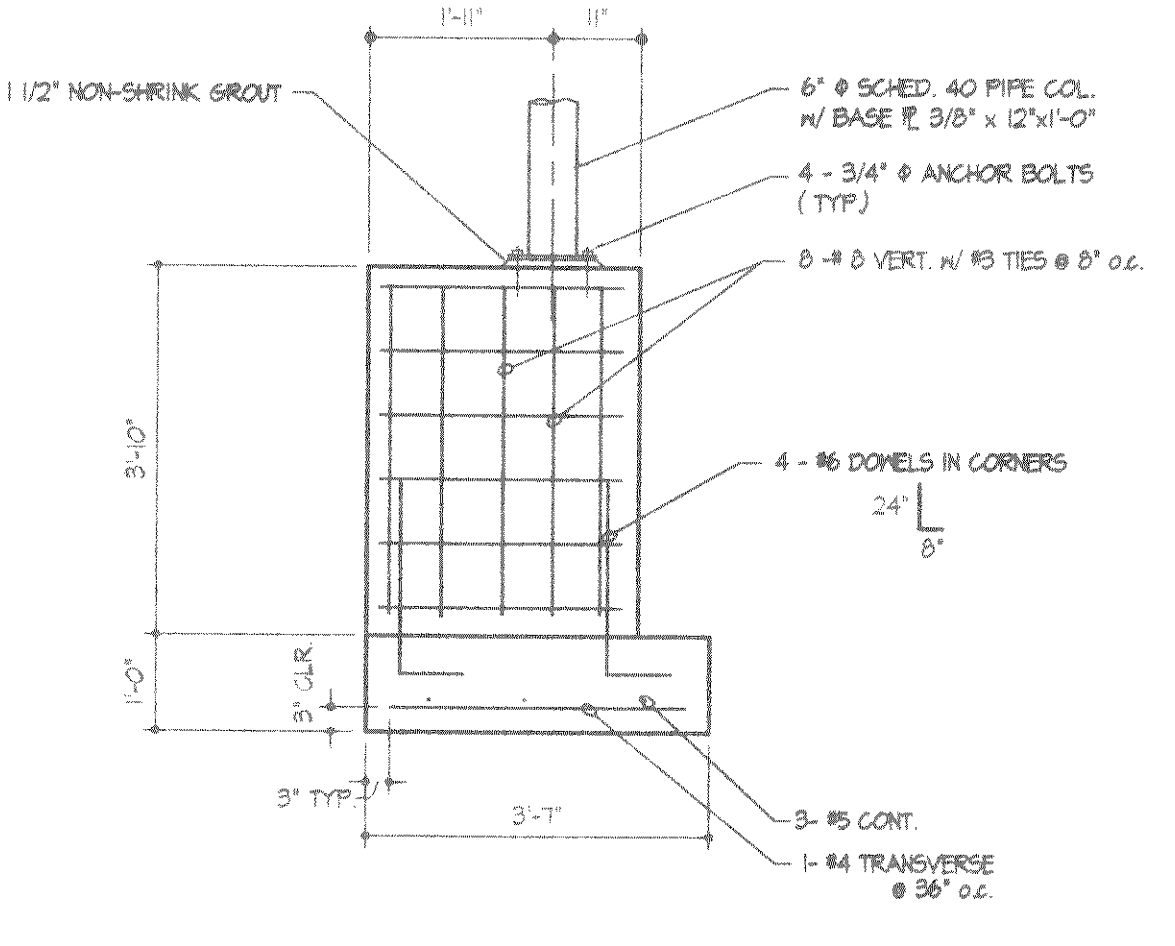
2 FOUNDATION WALL TIE
SCALE: 1 1/2" = 1'-0"



3 FOUNDATION WALL DTL.
SCALE: 1/2" = 1'-0"



4 FOUNDATION WALL DTL.
SCALE: 1/2" = 1'-0"



5 FOUNDATION PIER DTL.
SCALE: 1/2" = 1'-0"

BECHER-HOPPE ASSOCIATES INC.
ENGINEERS ARCHITECTS SCIENTISTS
330 Fourth Street • P.O. Box 8000 • Wausau, WI • 54402-8000
Tel 715-845-8000 • Fax 715-845-8008 • www.bhassoc.com

PROJECT:
LINCOLN COUNTY VEHICLE STORAGE GARAGE ADDITION
OWNER:
LINCOLN COUNTY HIGHWAY DEPARTMENT

SHEET TITLE:
STRUCTURAL FOUNDATION PLAN

PROJECT NUMBER: 99029

DWG. FILE NAME: FOUNDATION

S100

SHEET NUMBER 7 OF 12