

DRAWN BY: M. HAMLIN

CHK'D BY:

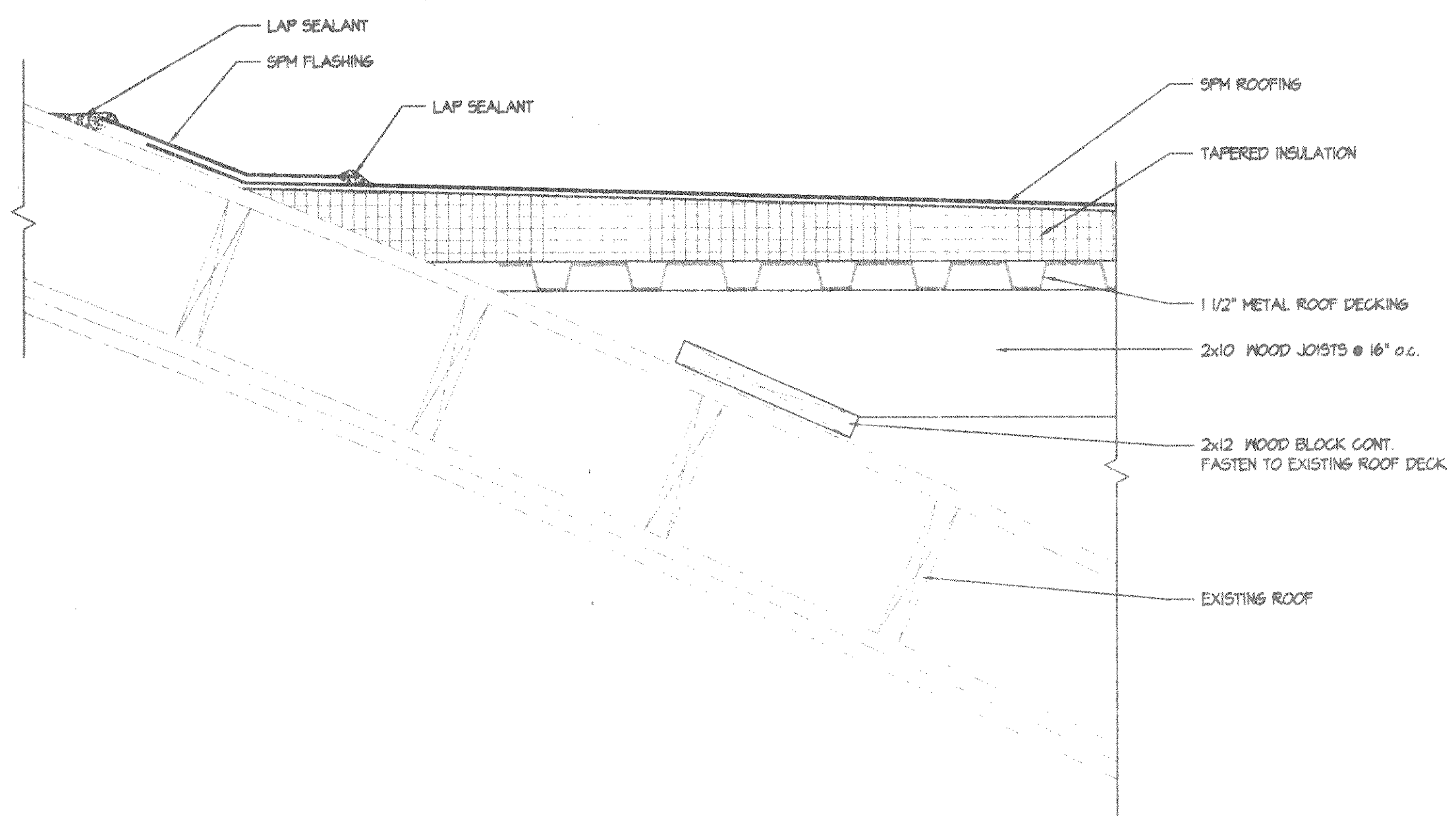
DATE: 12 JULY 2000

SCALE:

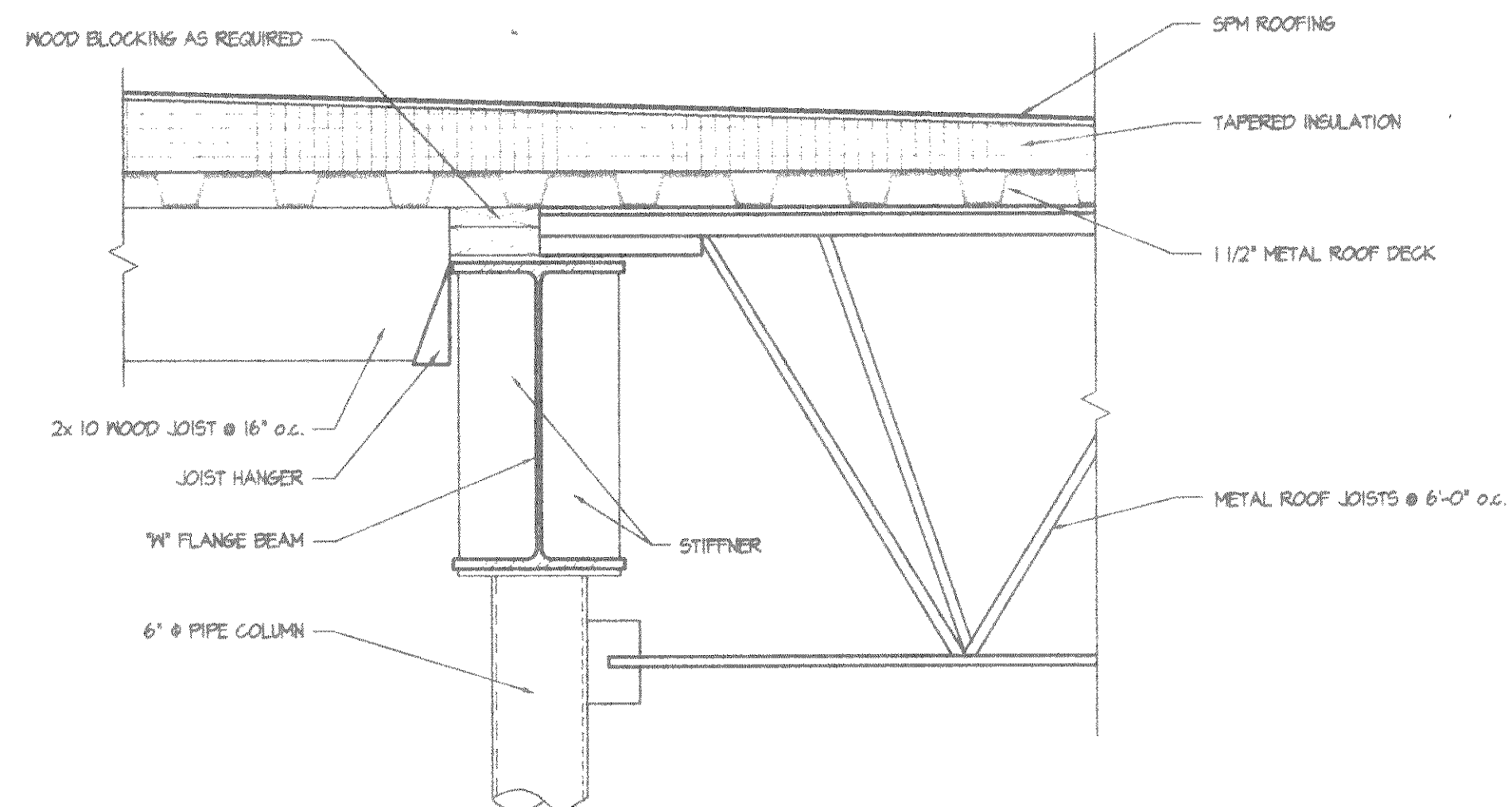
REVISIONS:

NO.	DESCRIPTION	DATE

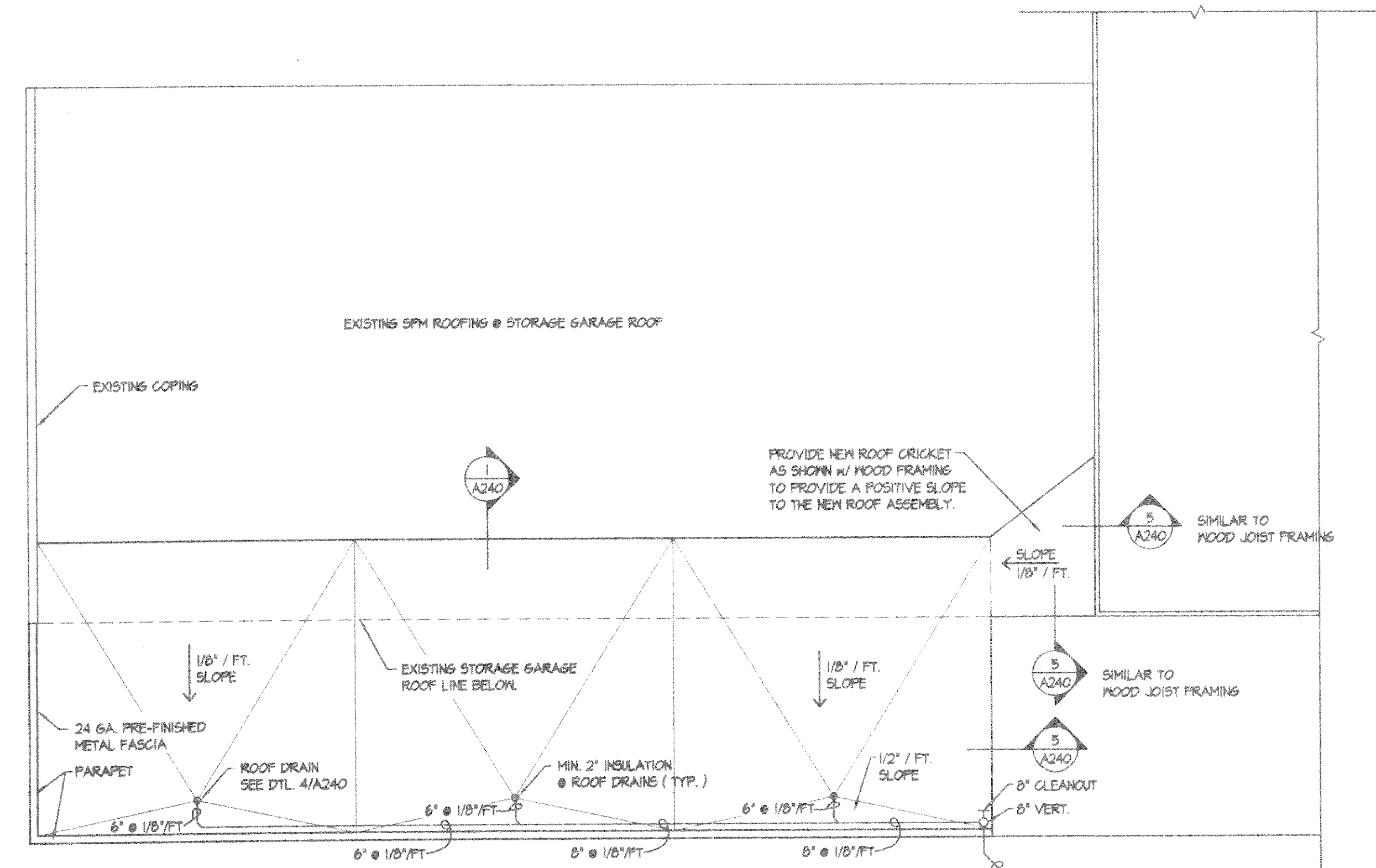
NOTES:



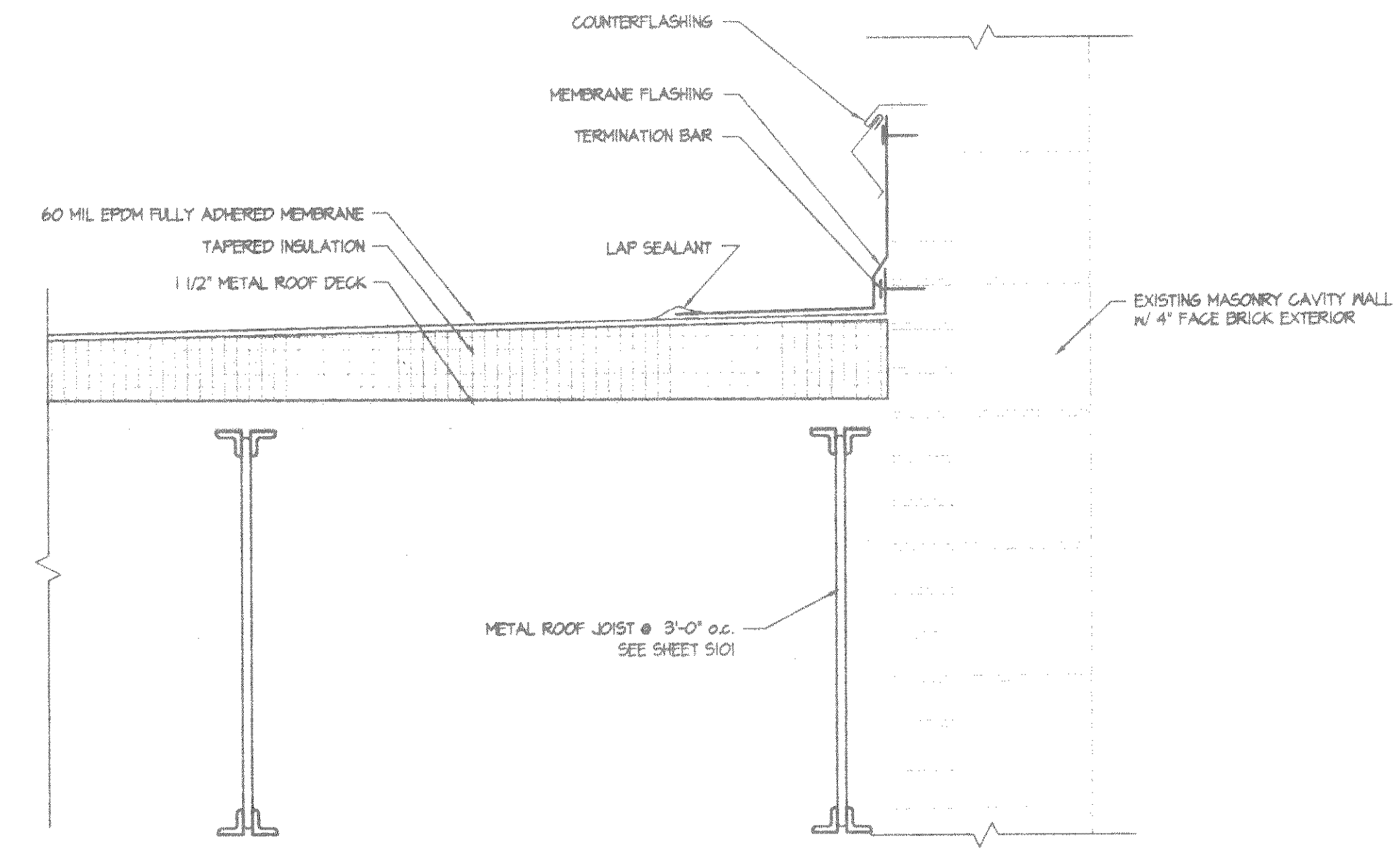
**1**  
A240  
**ROOF CONNECTION DETAIL @ EXISTING ROOF**  
SCALE: 1 1/2" = 1'-0"



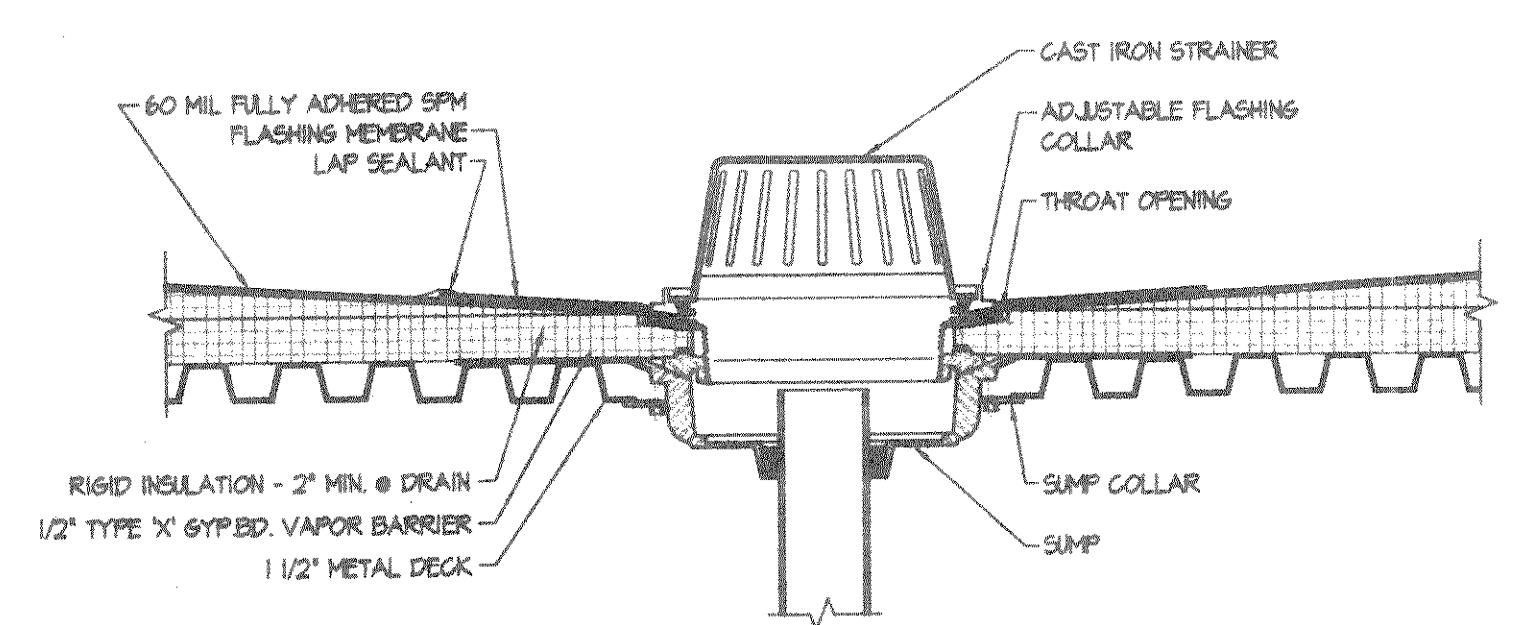
**2**  
A240  
**FRAMING CONNECTION DETAIL @ BEAM & JOIST**  
SCALE: 1 1/2" = 1'-0"



**2**  
A240  
**PARTIAL ROOF PLAN**  
SCALE: 1/16" = 1'-0"



**5**  
A240  
**COUNTERFLASHING DETAIL @ EXISTING WALL**  
SCALE: 1 1/2" = 1'-0"



**3**  
A240  
**FRAMING CONNECTION DETAIL @ BEAM & JOIST**  
SCALE: 1 1/2" = 1'-0"

**BHA**  
**BECHER-HOPPE ASSOCIATES** INC.  
ENGINEERS ARCHITECTS SCIENTISTS  
330 Fourth Street - P.O. Box 8000 - Waukegan, IL 60087-8000  
Tel: 715-845-8000 • Fax: 715-845-8008 • www.bhassoc.com

SUBCONSULTANT(S):

PROJECT:  
**LINCOLN COUNTY VEHICLE STORAGE GARAGE ADDITION**  
OWNER:  
LINCOLN COUNTY HIGHWAY DEPARTMENT

SHEET TITLE:

**ENLARGED DETAILS**

PROJECT NUMBER: 99029

DWG. FILE NAME: FLOOR PLAN

**A240**

SHEET NUMBER 6 OF 12