

DRAWN BY: M. HAMLIN

CHK'D BY:

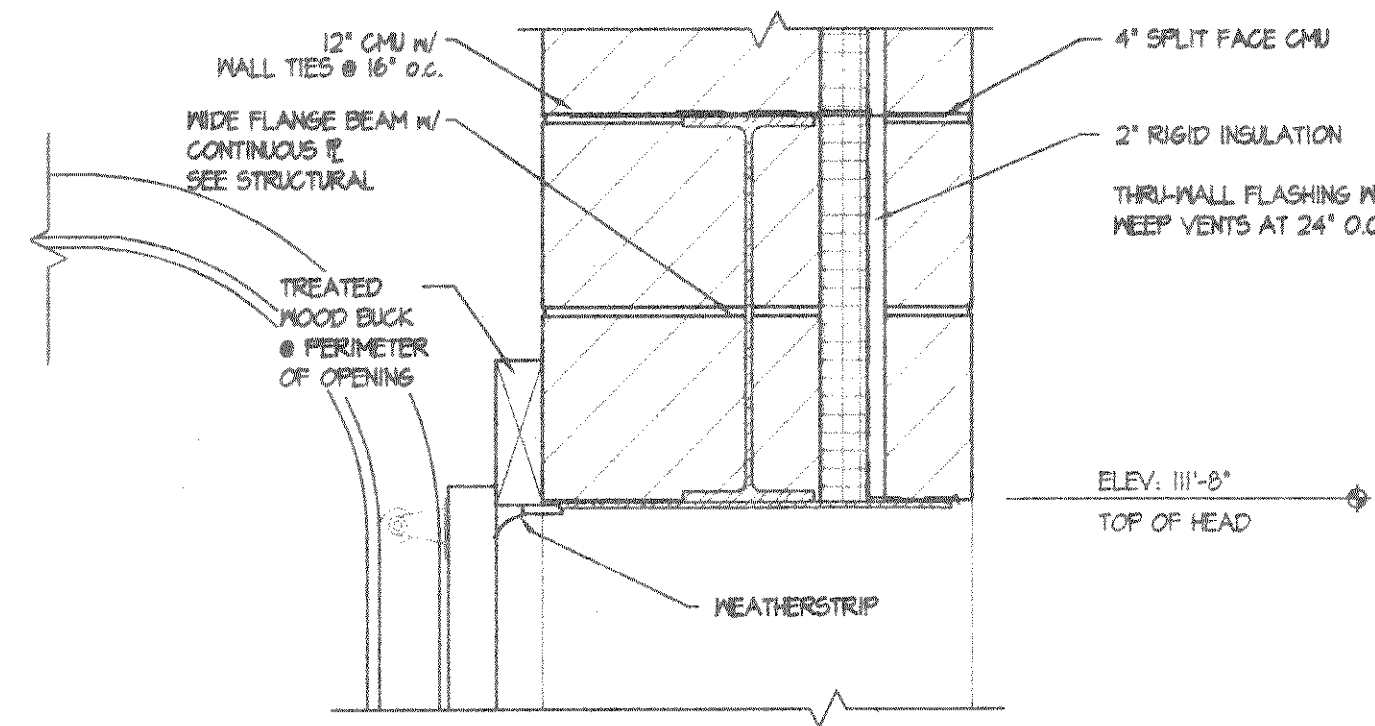
DATE: 25 JULY 2000

SCALE:

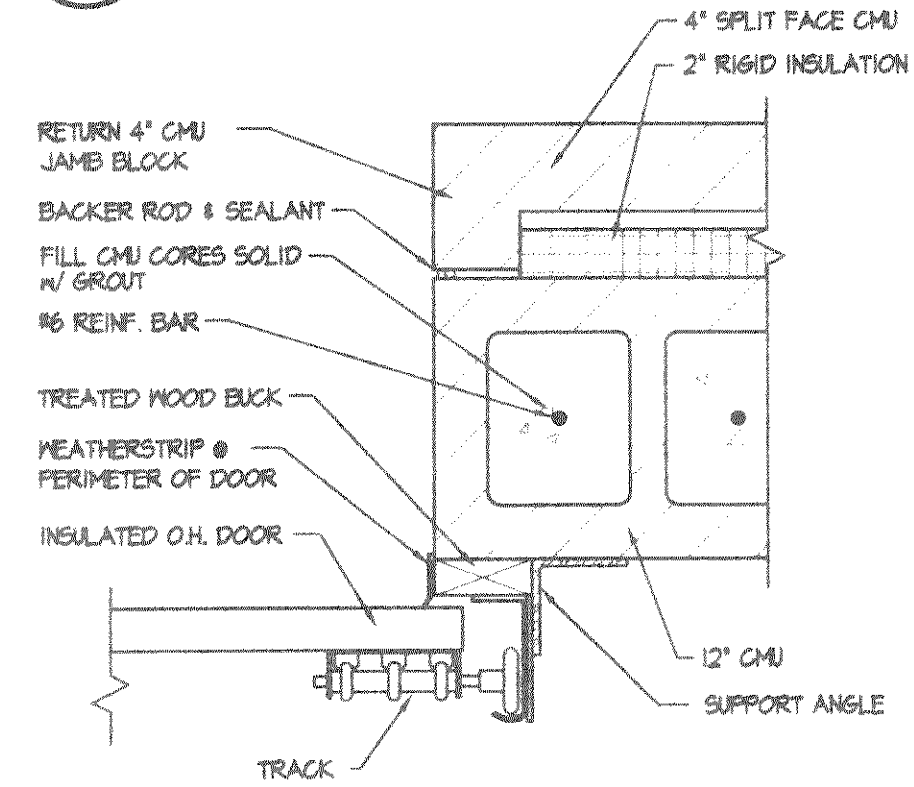
REVISIONS:

| NO. | DESCRIPTION | DATE |
|-----|---------------------------|------|
| 1 | PER STATE APPROVAL 8/7/00 | |

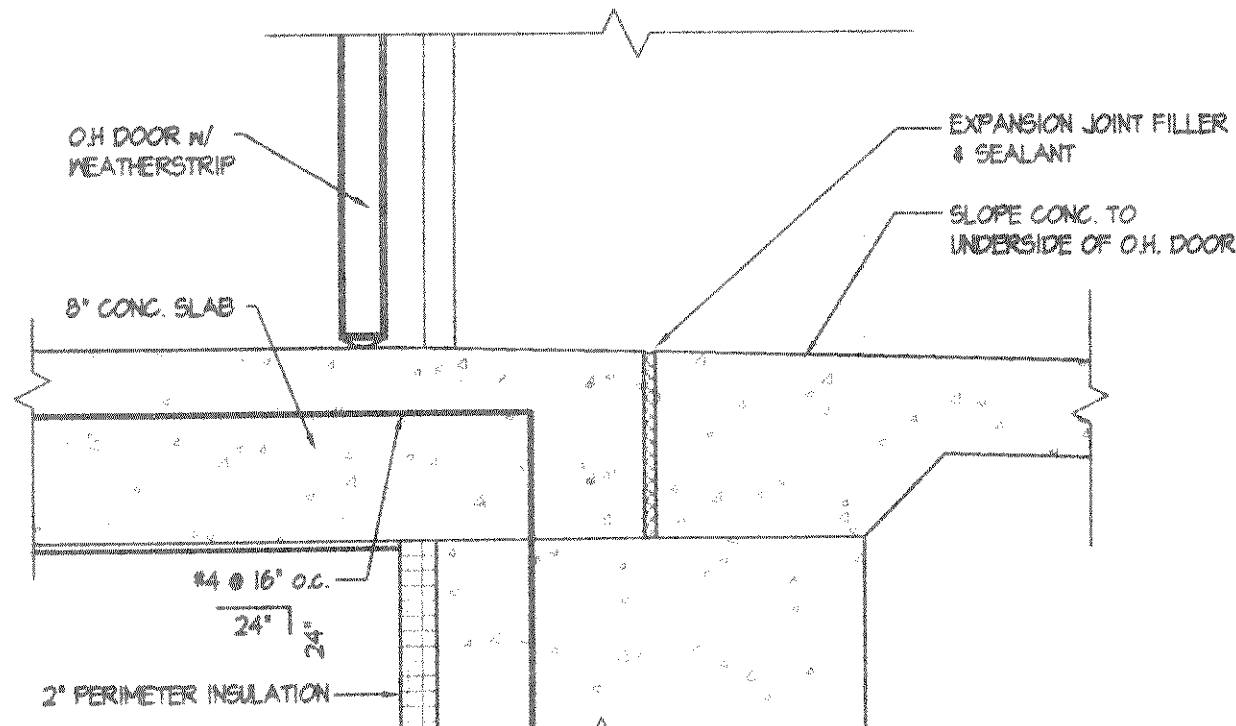
NOTES:



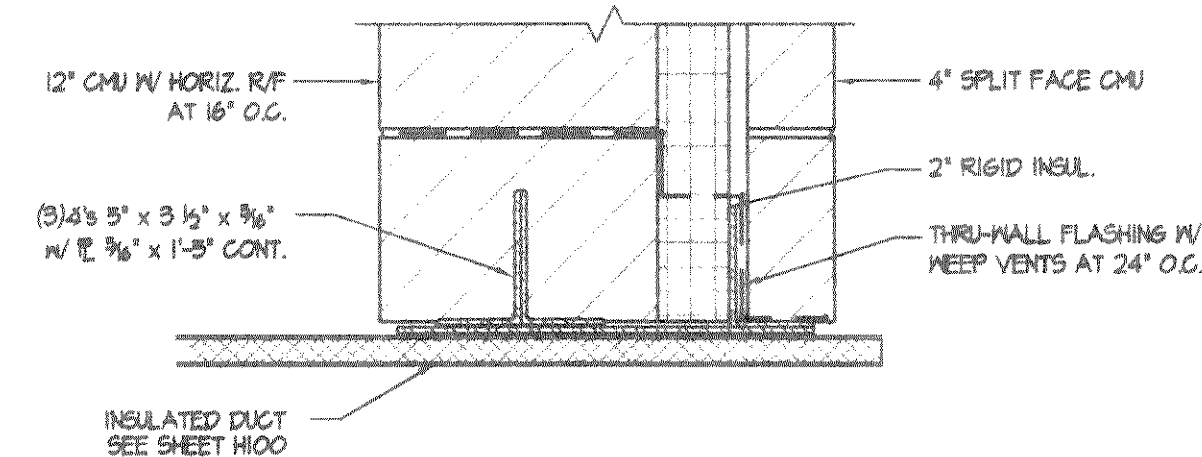
1 HEAD DETAIL
A120 SCALE: 1/2" = 1'-0"



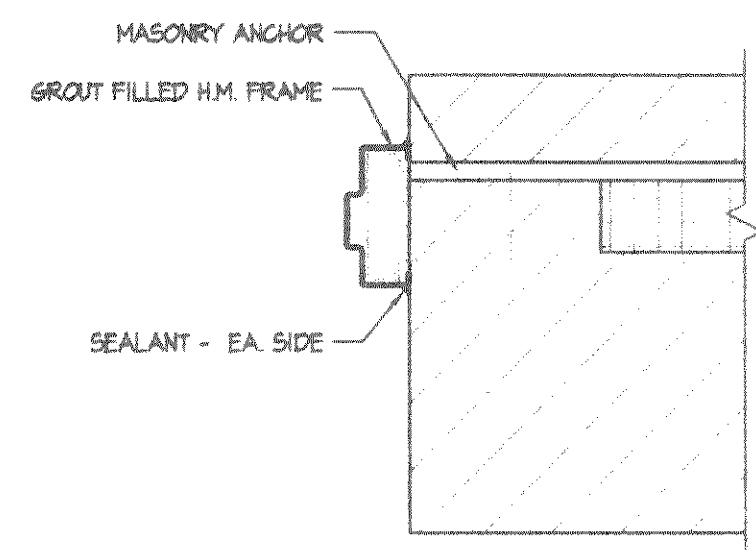
2 JAMB DETAIL
A120 SCALE: 1/2" = 1'-0"



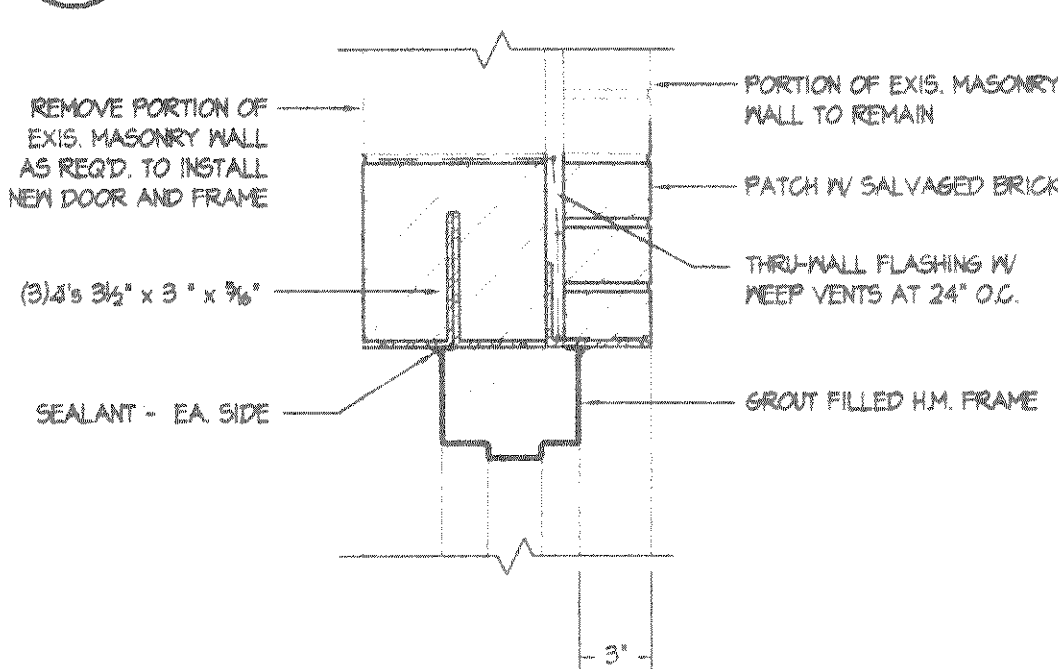
3 SILL DETAIL
A120 SCALE: 1/2" = 1'-0"



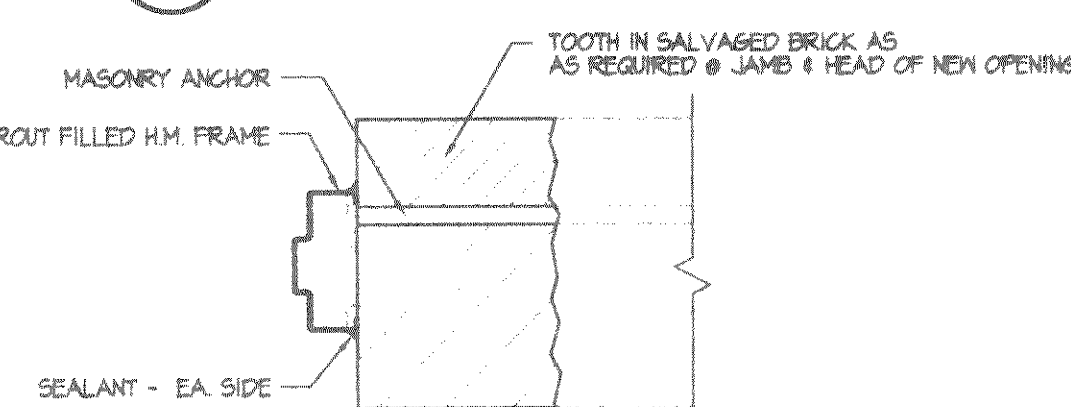
4 HEAD DETAIL @ INTAKE HOOD
A120 SCALE: 1/2" = 1'-0"



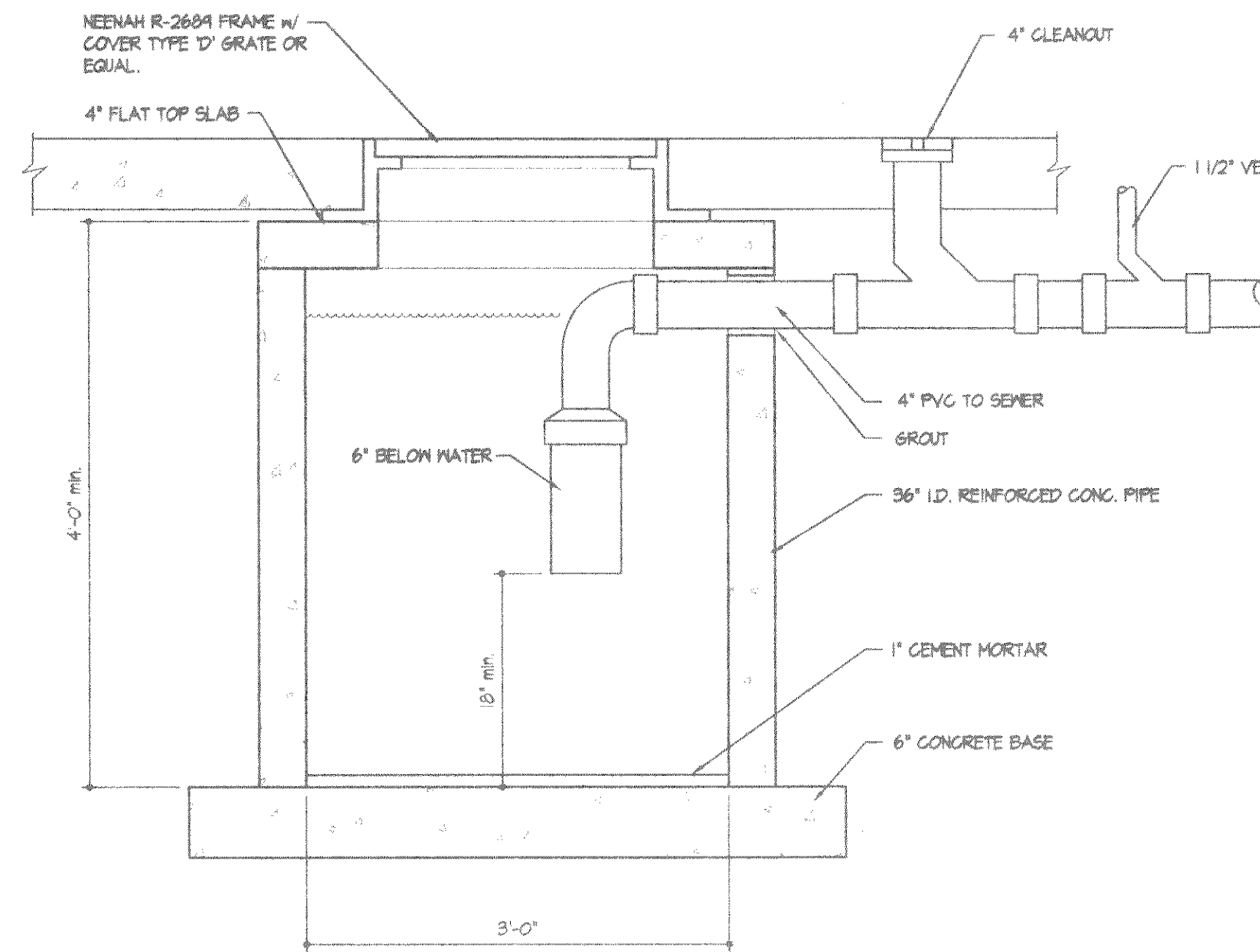
5 JAMB DETAIL
A120 SCALE: 1/2" = 1'-0"



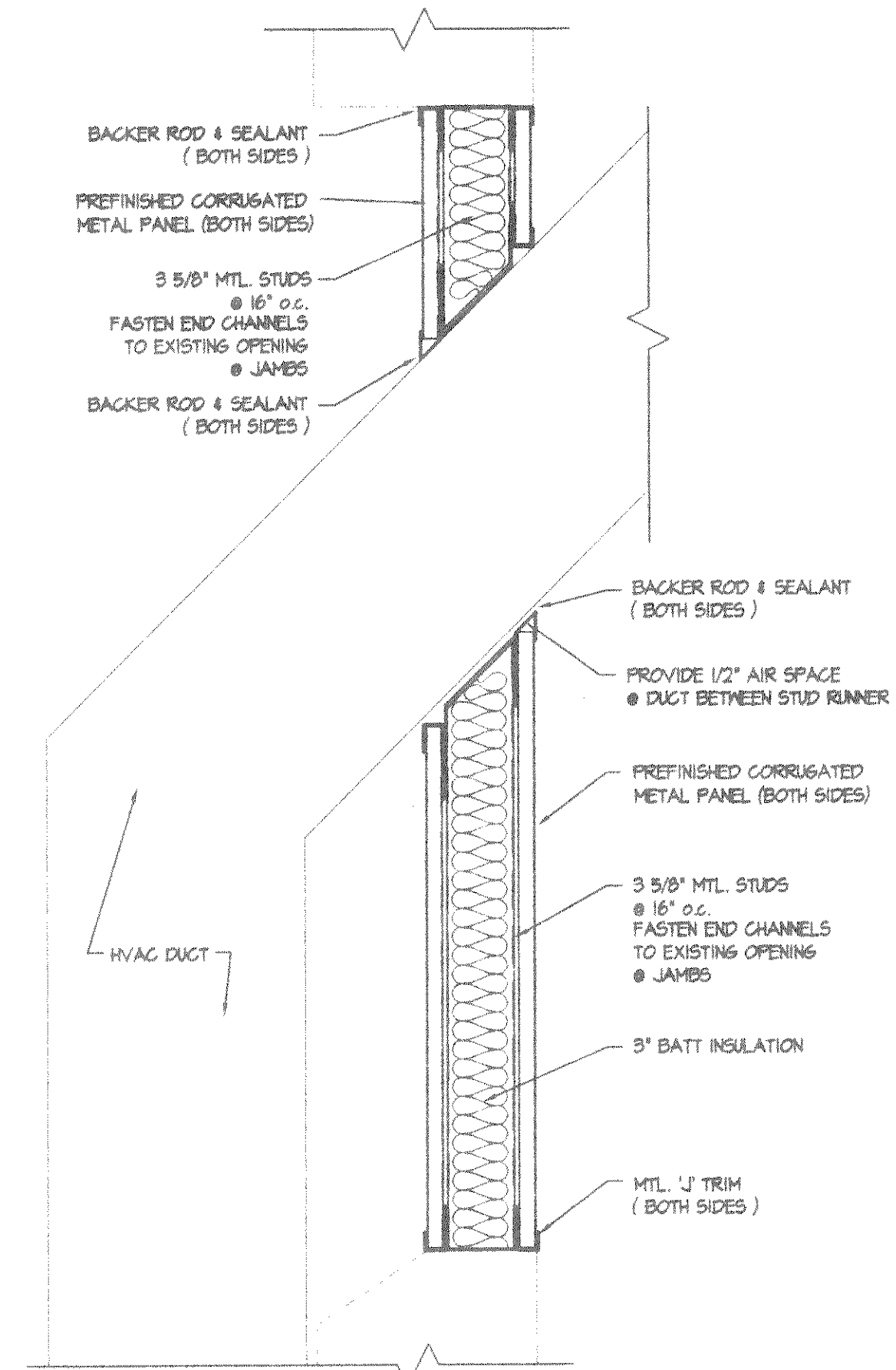
6 JAMB DETAIL
A120 SCALE: 1/2" = 1'-0"



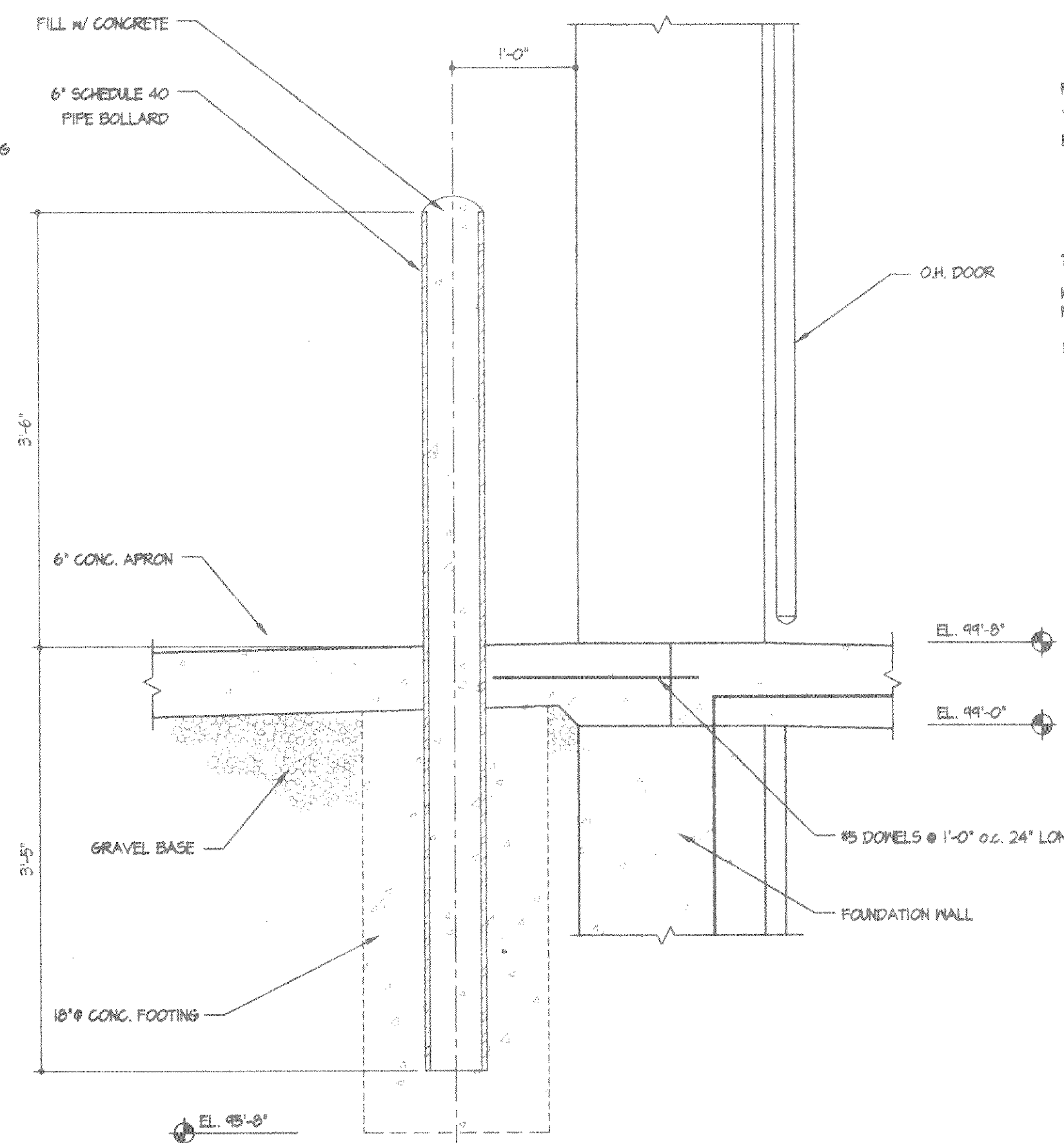
7 JAMB DETAIL
A120 SCALE: 1/2" = 1'-0"



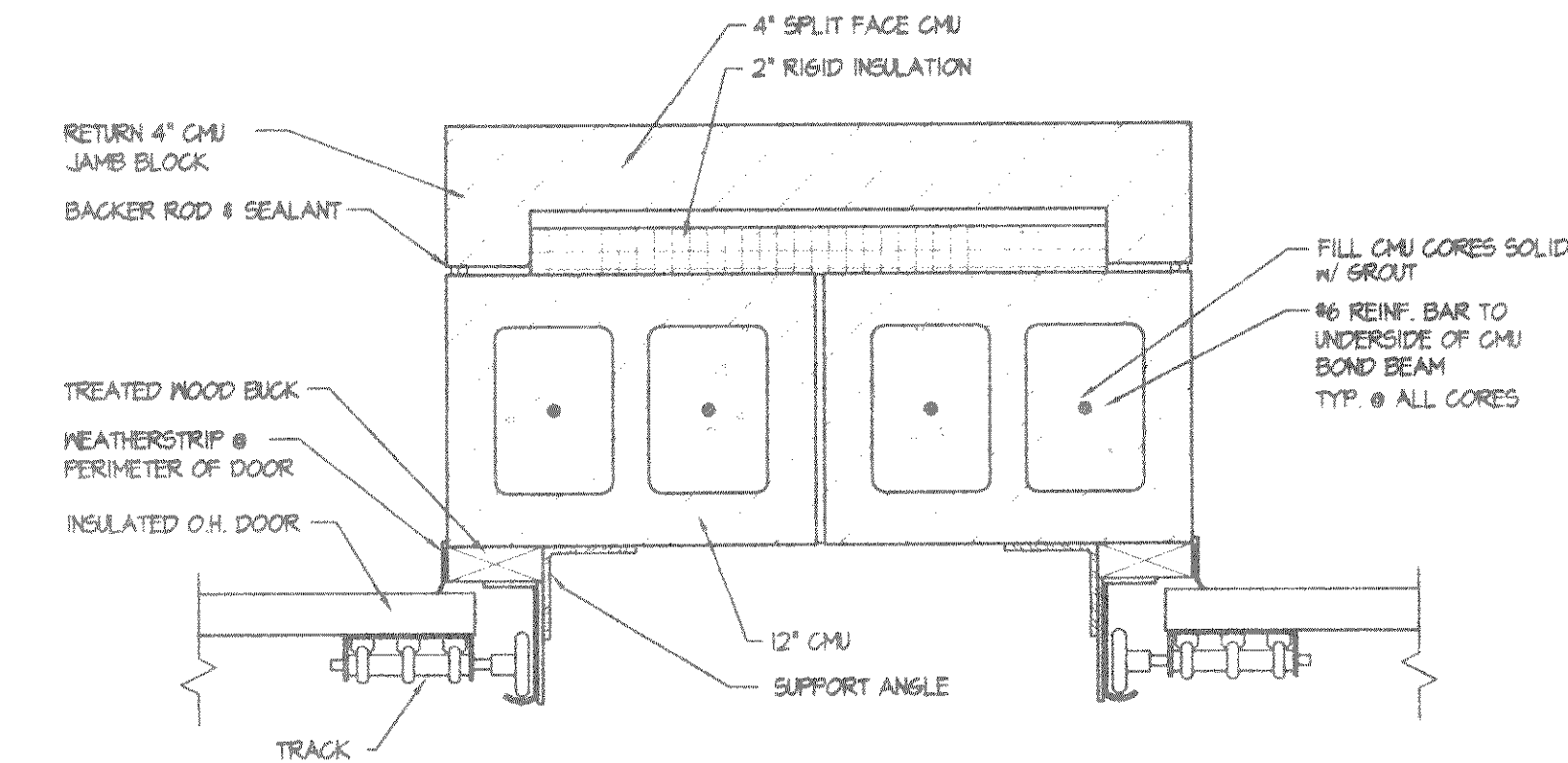
8 GARAGE CATCH BASIN
A120 SCALE: 1" = 1'-0"



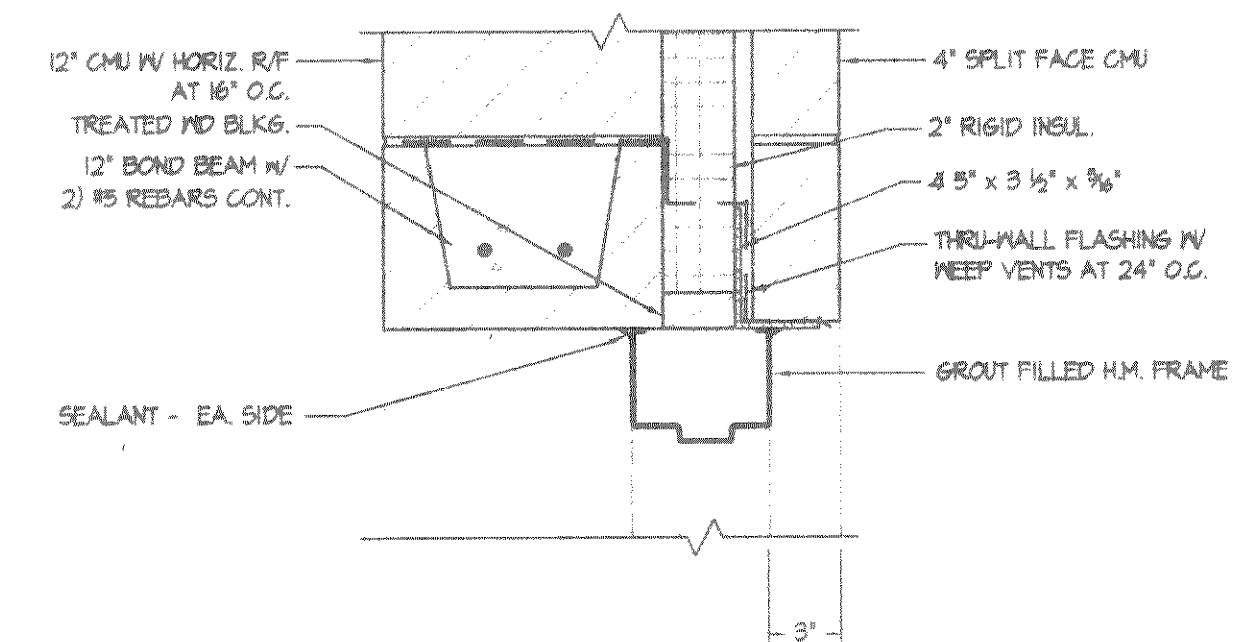
9 IN-FILL PANEL @ NEW EXHAUST DUCTWORK
A120 SCALE: 1/2" = 1'-0"



10 BOLLARD DETAIL
A120 SCALE: 1" = 1'-0"

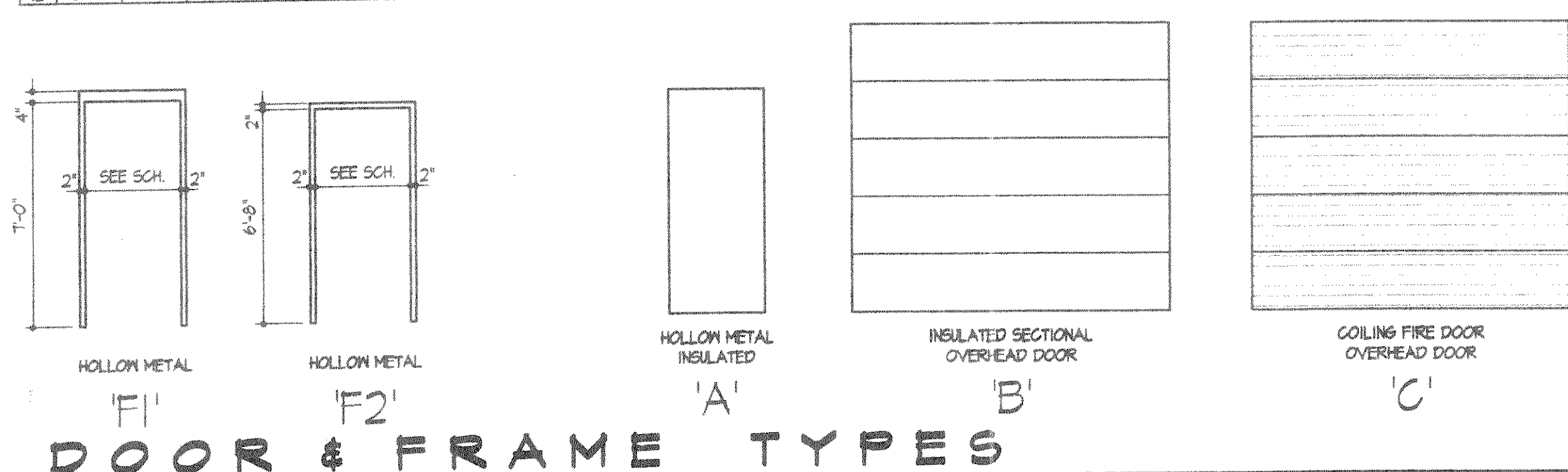


11 CMU PIER & WALL DETAIL
A120 SCALE: 1/2" = 1'-0" (SOUTH WALL ONLY)
NOTE: REINF. BARS SHALL EXTEND INTO FOUNDATION WALL 1'-0"

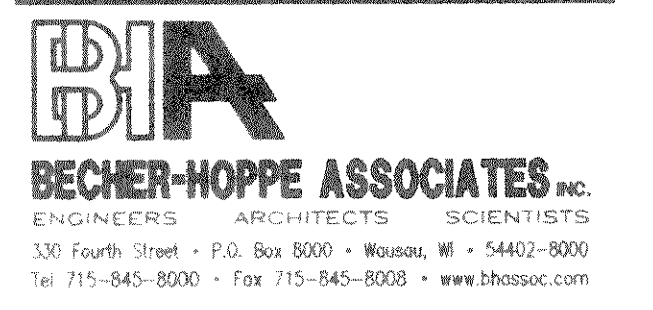


12 HEAD DETAIL @ H.M. DOOR
A120 SCALE: 1/2" = 1'-0"

| DOOR SCHEDULE | | | | | | | | | | | | | | | | | | |
|---------------|--------------------|--------|-----------|-------|------|--------|-------|--------|------|--------|--------|---------|---------|--------|--------|------|------|---------------------------------|
| NO. | DOOR / WINDOW SIZE | | | DOORS | | | | FRAMES | | | | DETAILS | REMARKS | NO. | | | | |
| | WIDTH | HEIGHT | THICKNESS | TYPE | MATL | FINISH | LABEL | TYPE | MATL | FINISH | DEPTH | | | | HEAD | JAMB | SILL | |
| 1 | 3'-0" | 7'-0" | 1 3/4" | A | HM | INSUL | PT | | FI | HM | PT | 5 3/4" | 10/A120 | 5/A120 | 1 | | | |
| 2 | 2'-0" | 12'-0" | | B | STL | | | | | | | | 1/A120 | 2/A120 | 3/A120 | 2 | | |
| 3 | 2'-0" | 12'-0" | | B | STL | | | | | | | | 1/A120 | 2/A120 | 3/A120 | 3 | | |
| 4 | 2'-0" | 12'-0" | | B | STL | | | | | | | | 1/A120 | 2/A120 | 3/A120 | 4 | | |
| 5 | 2'-0" | 12'-0" | | B | STL | | | | | | | | 1/A120 | 2/A120 | 3/A120 | 5 | | |
| 6 | 2'-0" | 12'-0" | | B | STL | | | | | | | | 1/A120 | 2/A120 | 3/A120 | 6 | | |
| 7 | 2'-0" | 12'-0" | | B | STL | | | | | | | | 1/A120 | 2/A120 | 3/A120 | 7 | | |
| 8 | 3'-0" | 7'-0" | 1 3/4" | A | HM | PT | A | FI | HM | PT | 5 3/4" | | | | | 8 | | FIELD VERIFY |
| 9 | 24'-0" | 16'-0" | | C | STL | | | | | | | | | | | 9 | | |
| 10 | 3'-0" | 7'-0" | 1 3/4" | A | HM | PT | A | FI | HM | PT | 5 3/4" | | | | | 10 | | |
| 11 | 3'-0" | 7'-0" | 1 3/4" | A | HM | PT | A | FI | HM | PT | 5 3/4" | | | | | 11 | | |
| 12 | 5'-4" | 6'-8" | 1 3/4" | A | HM | PT | A | FI | HM | PT | 5 3/4" | | | | | 12 | | B'4" ACTIVE/20" INACTIVE PANELS |



DOOR & FRAME TYPES



SUBCONSULTANTS:

PROJECT:
**LINCOLN COUNTY
VEHICLE STORAGE
GARAGE ADDITION**

OWNER:
LINCOLN COUNTY HIGHWAY DEPARTMENT

SHEET TITLE:
**ENLARGED DETAILS
DOOR SCHEDULE**

PROJECT NUMBER: 99029

DWG. FILE NAME: FLOOR PLAN

A120

SHEET NUMBER 3 OF 12