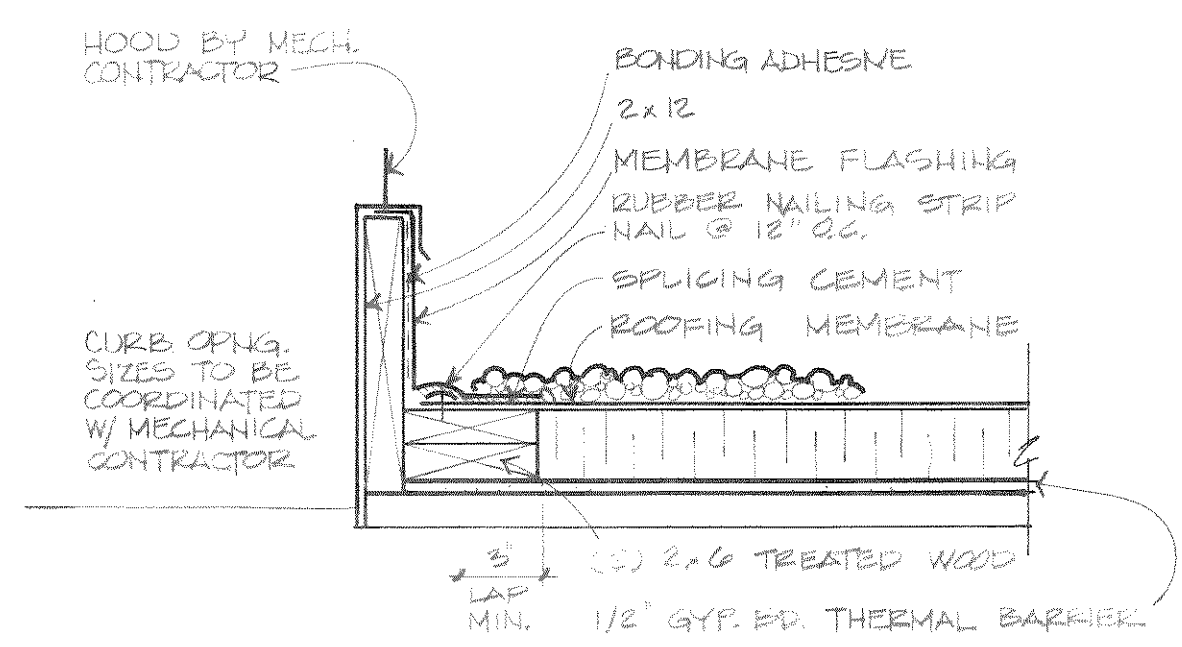
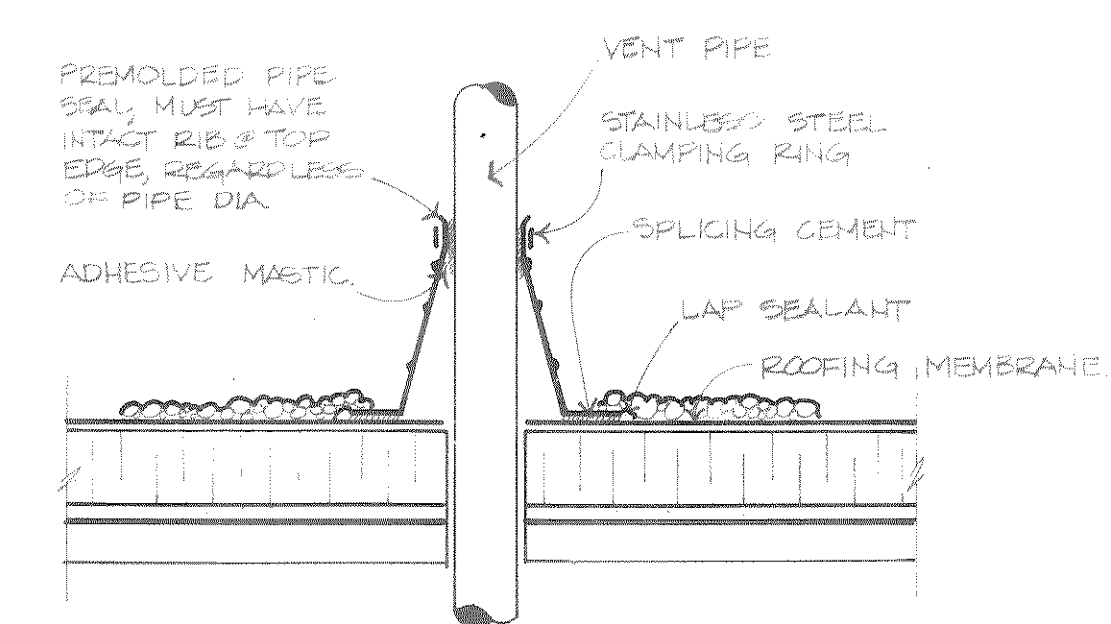


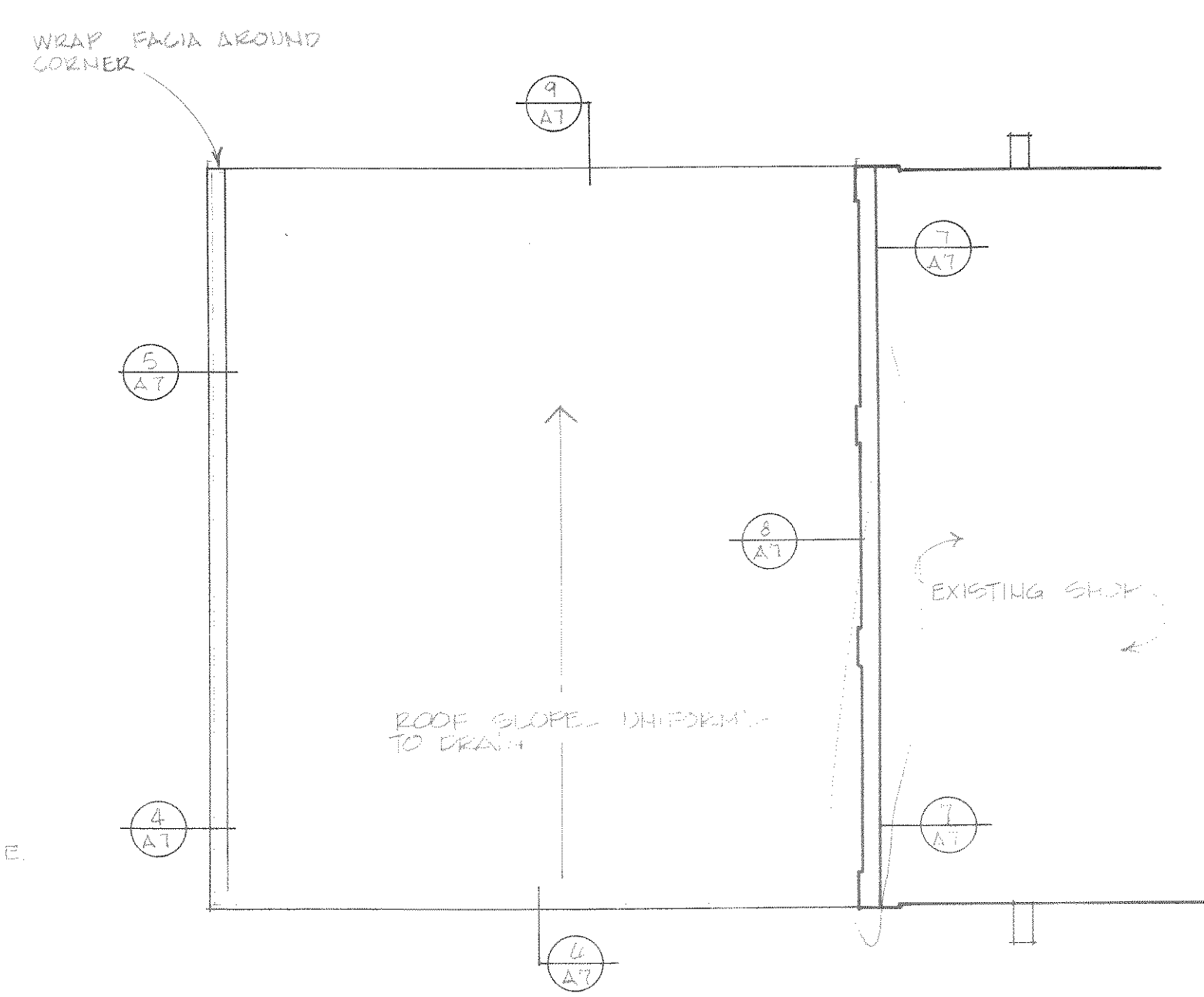
BASE OVERLAY DRG. NO.



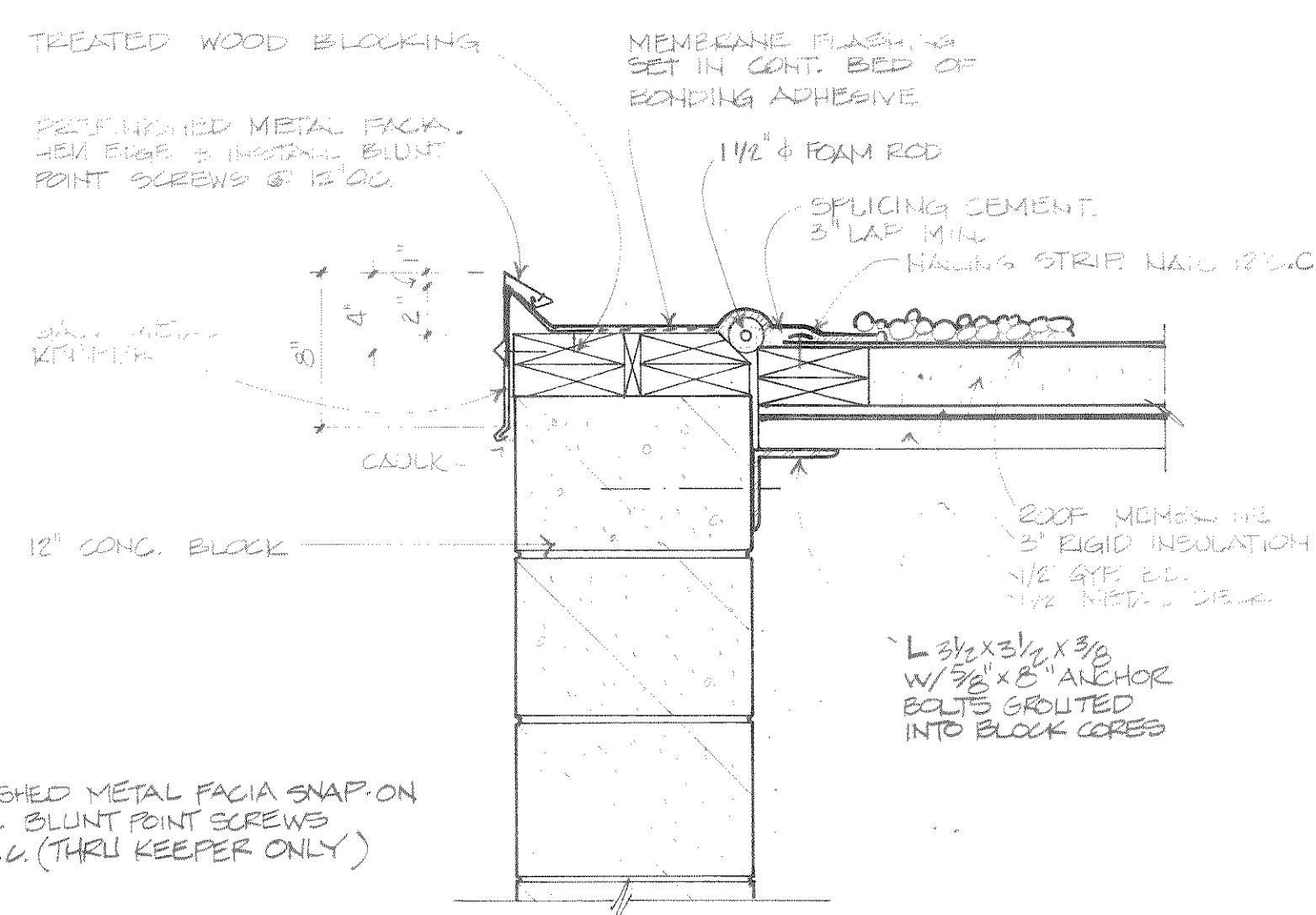
2 TYPICAL CURB DETAIL
1/2" = 1'-0"



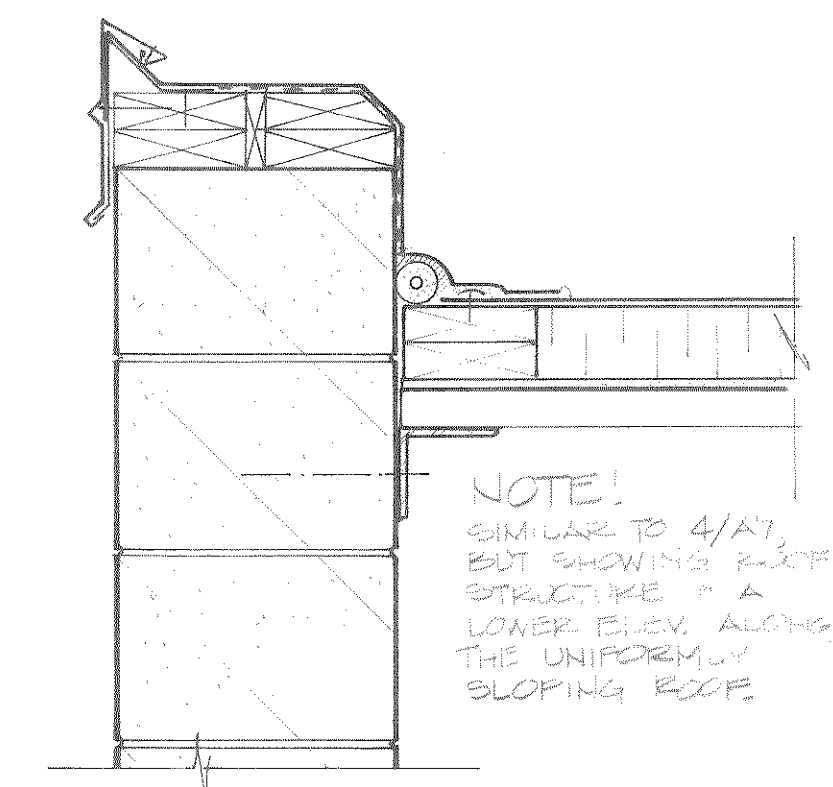
3 TYPICAL VENT PIPE DETAIL
1/2" = 1'-0"



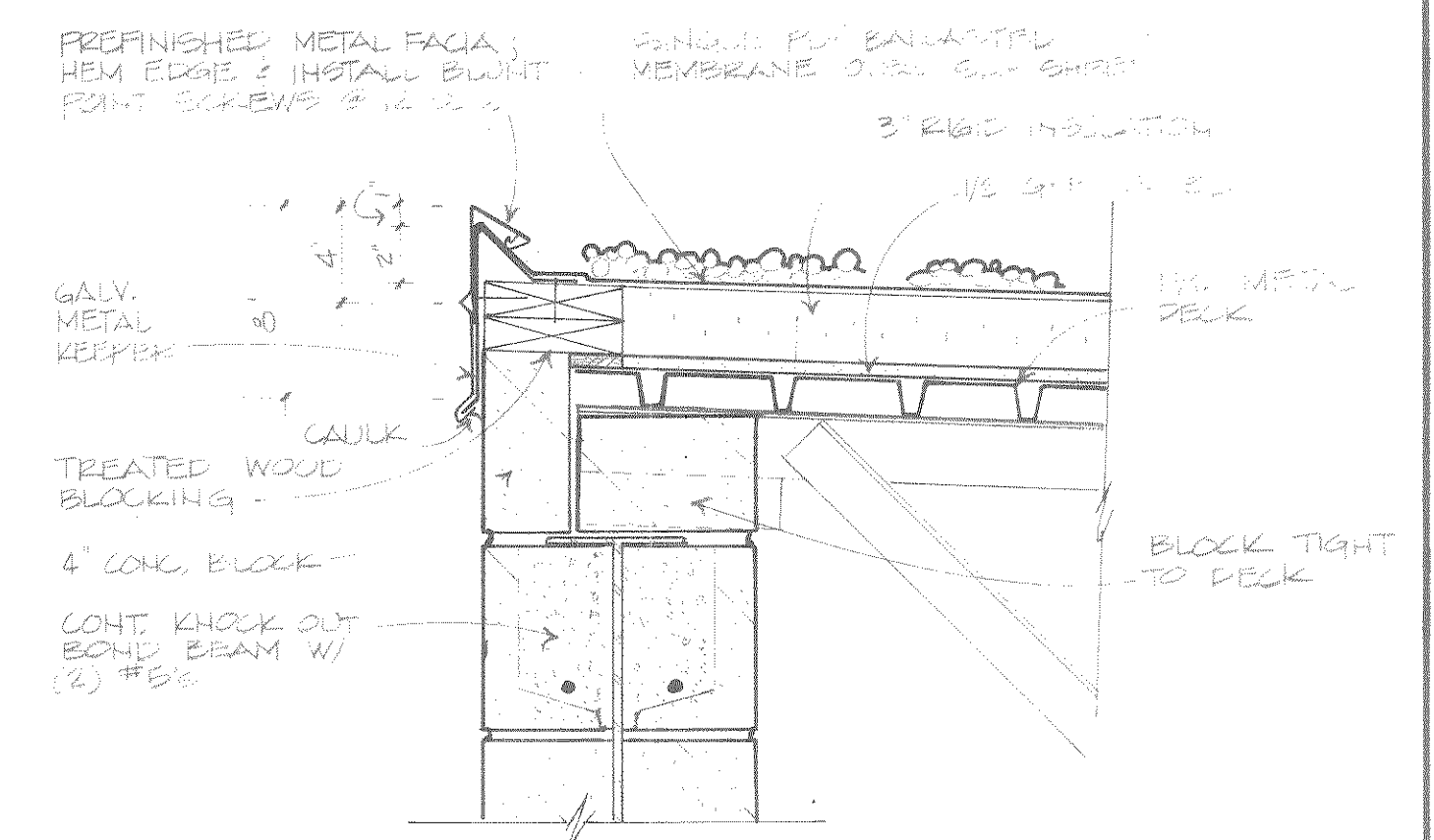
1 ROOF PLAN
1/4" = 1'-0"



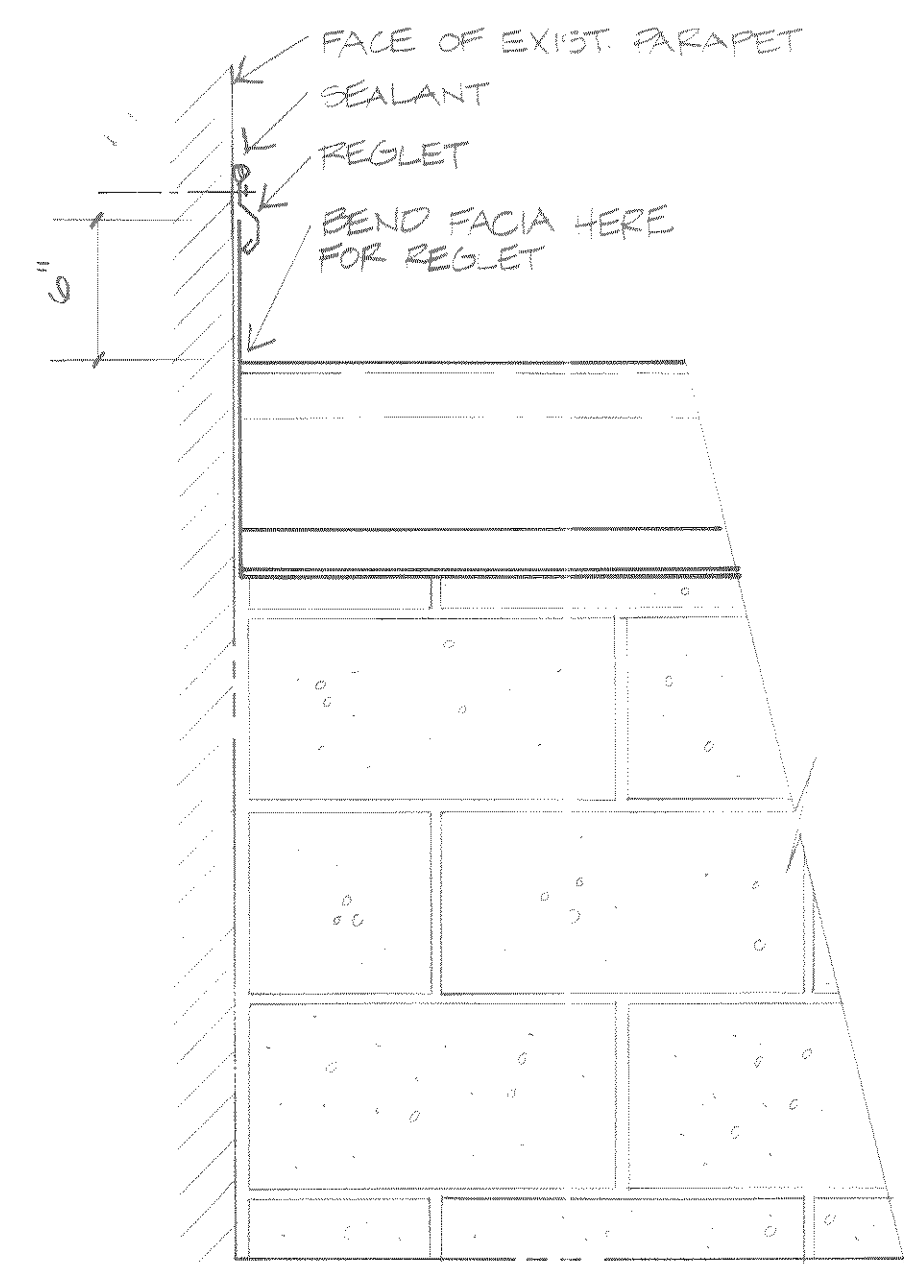
4 ROOF EDGE DETAIL
1/2" = 1'-0"



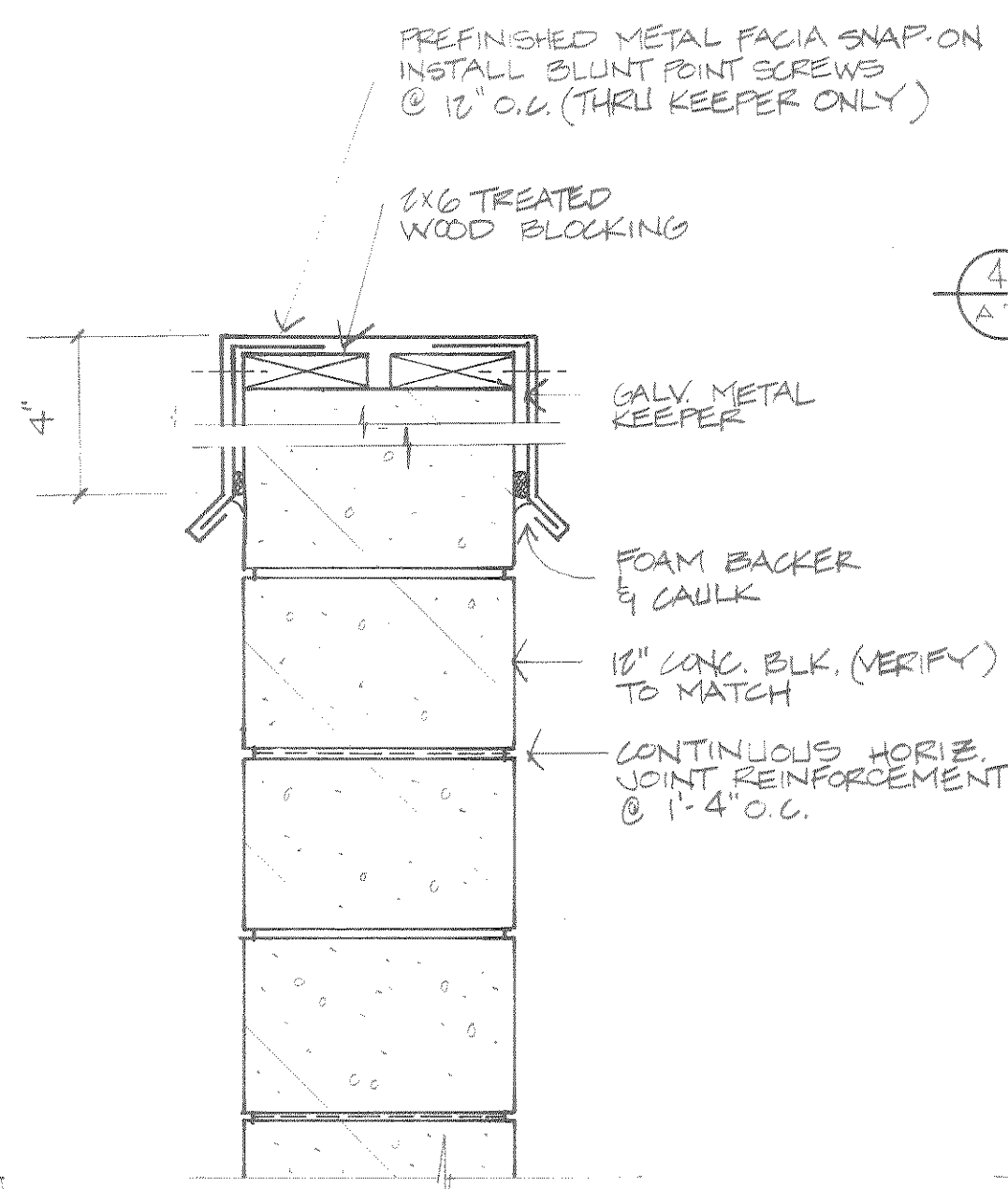
5 ROOF EDGE DETAIL
1/2" = 1'-0"



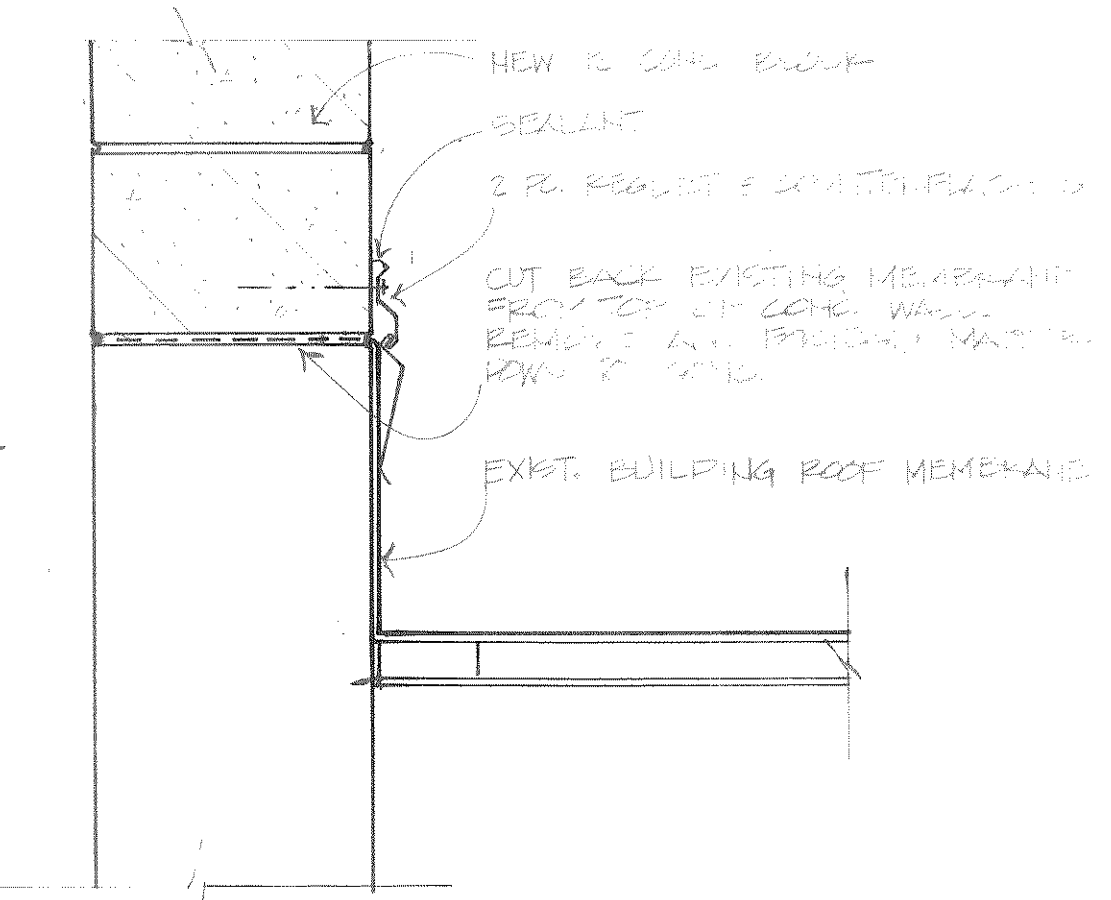
6 ROOF EDGE DETAIL
1/2" = 1'-0"



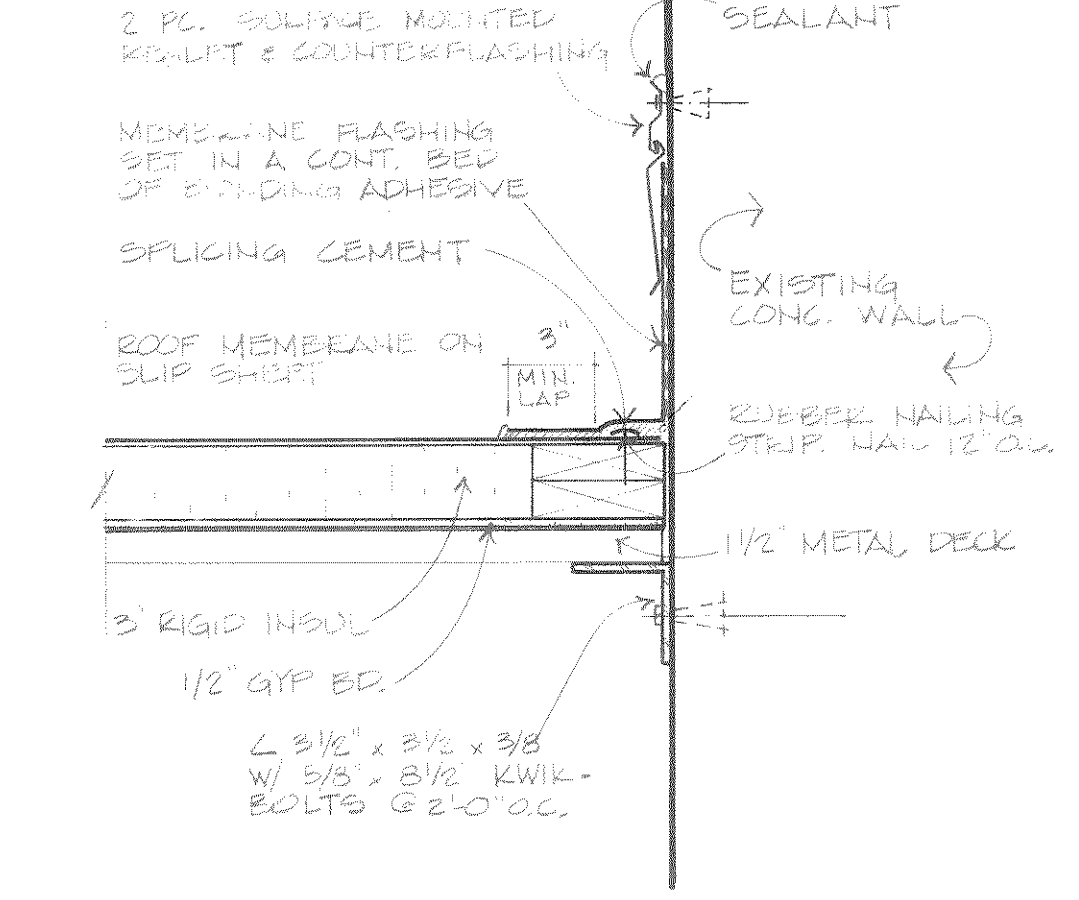
SIDE VIEW



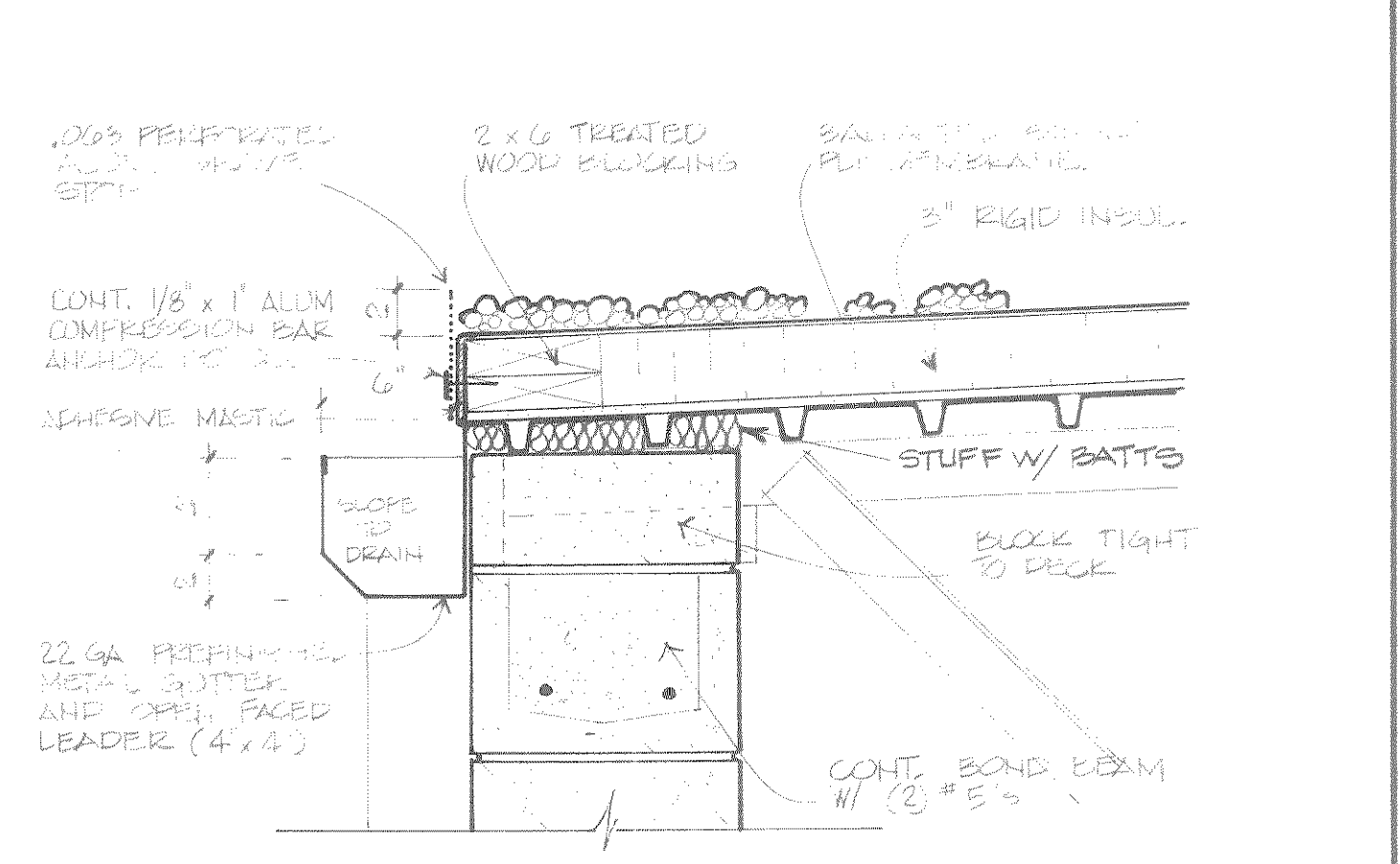
8 COPING DETAIL
1/2" = 1'-0"



7 ROOF EDGE DETAIL
1/2" = 1'-0"



3 ROOF EDGE DETAIL
1/2" = 1'-0"



9 ROOF EDGE DETAIL
1/2" = 1'-0"

NO.	BY	DATE	REVISIONS	ITEM	DESIGN	CHECKED



LINCOLN COUNTY
VEHICLE STORAGE ADDITION
TOMAHAWK, WISCONSIN

ROOF PLAN AND DETAILS

FILE NO.
89003
DATE
AUG 88
A7