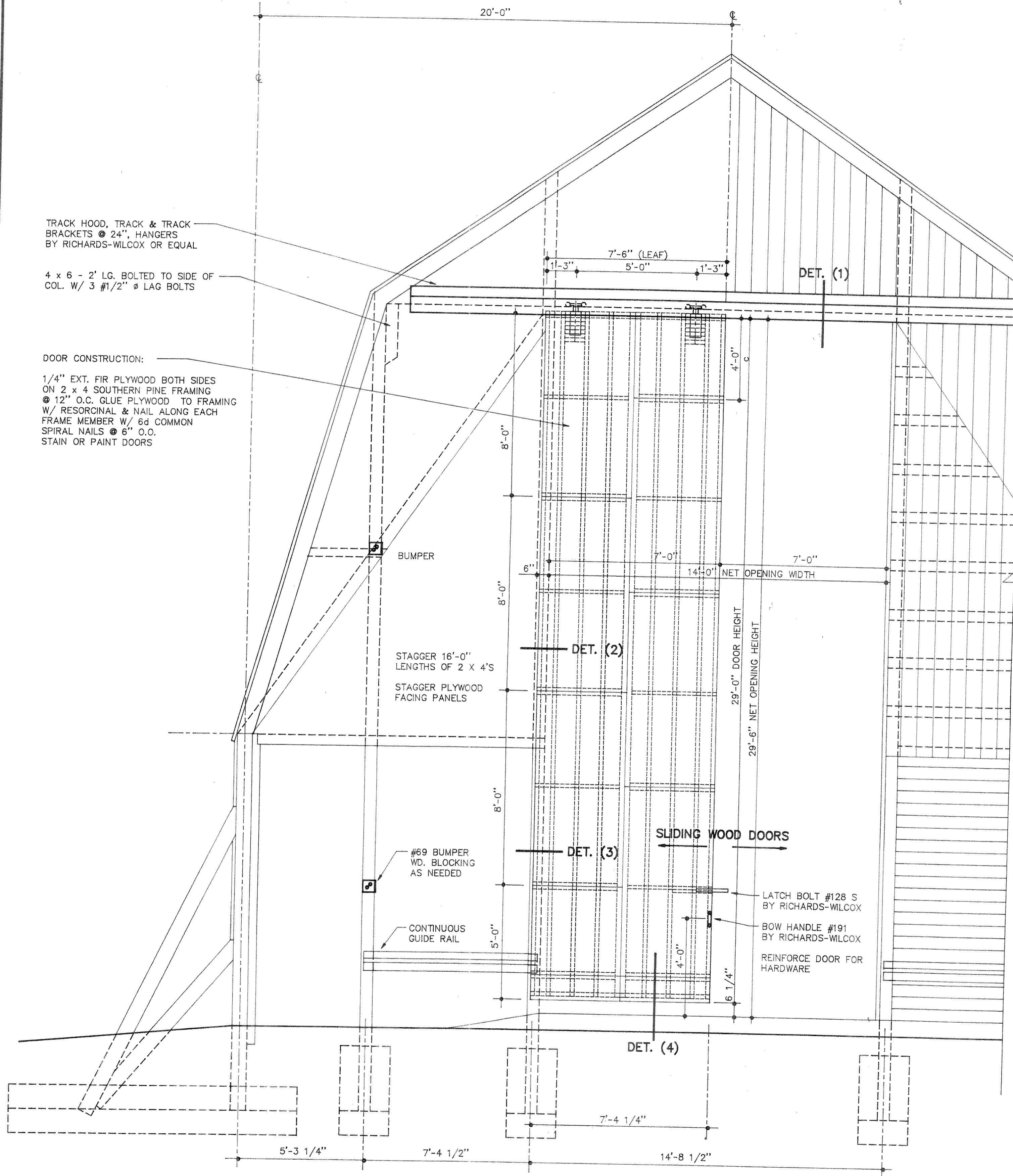
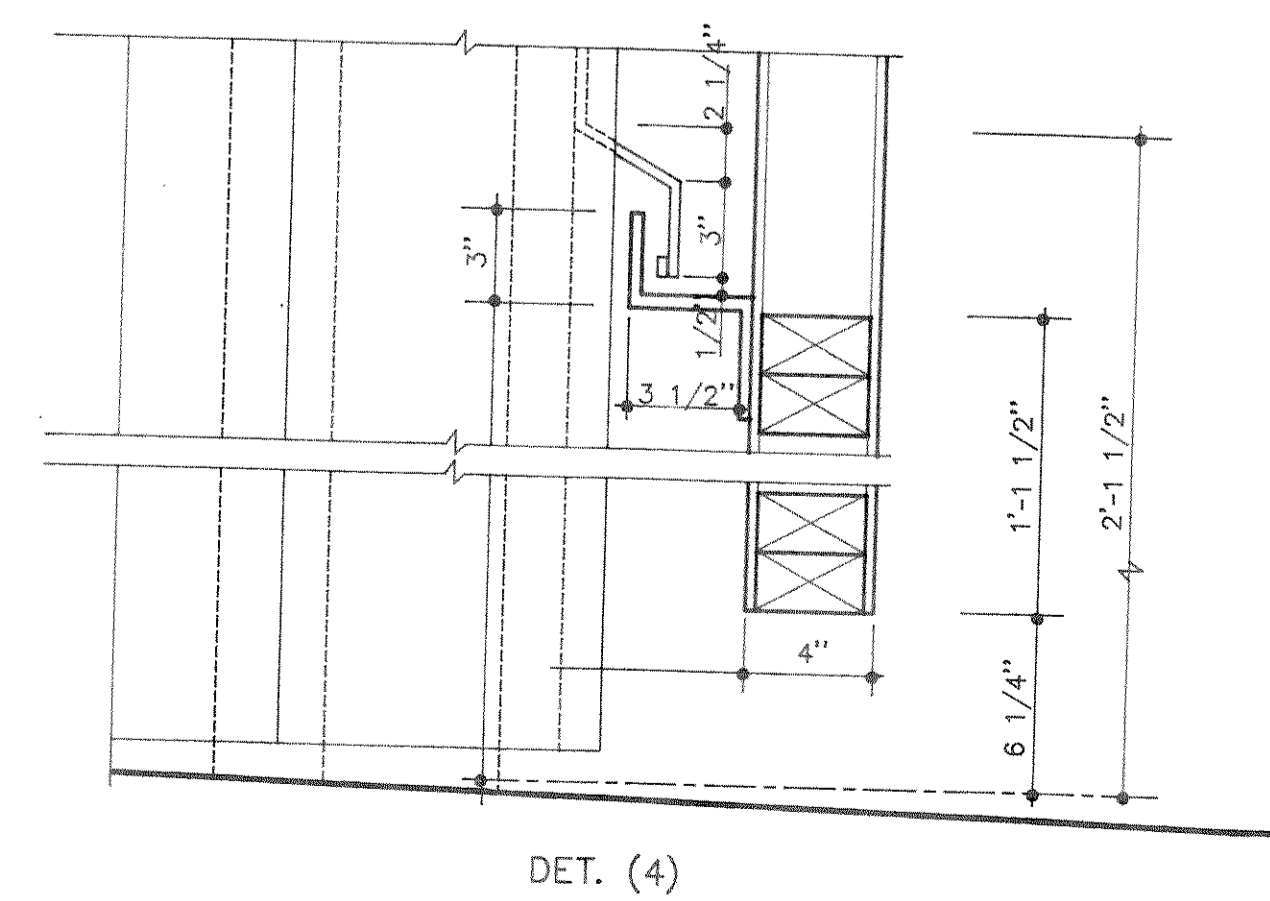
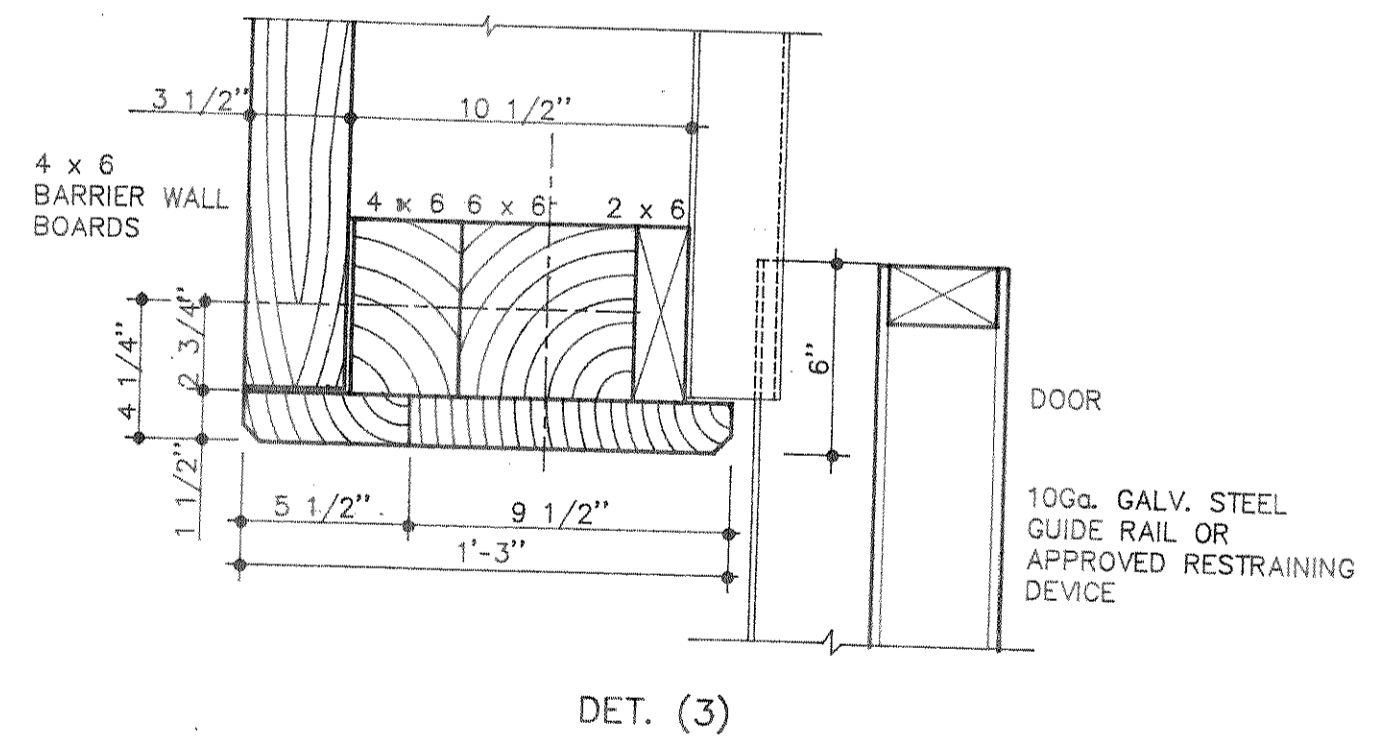
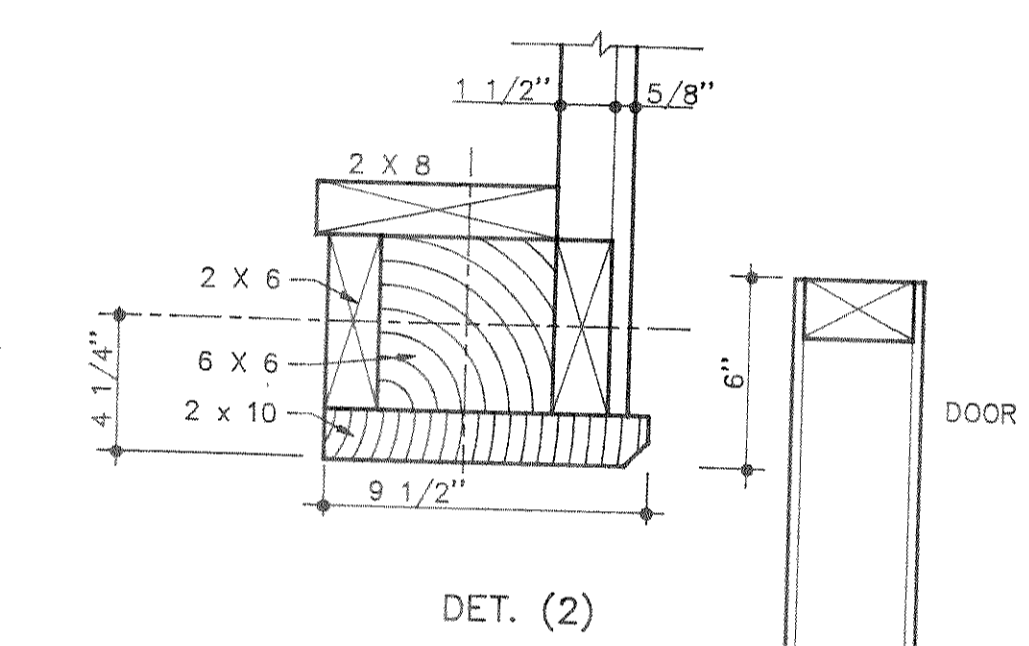
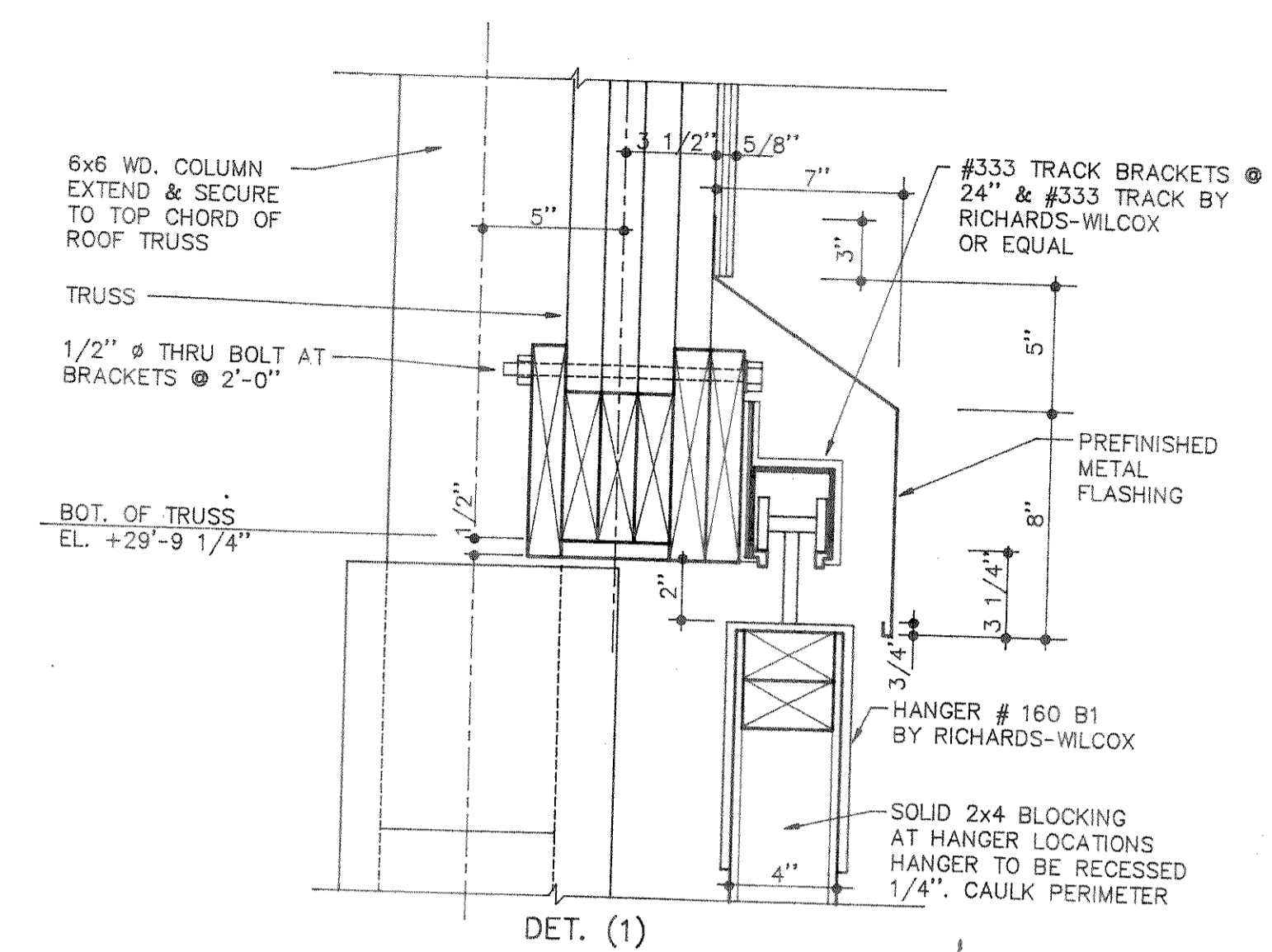


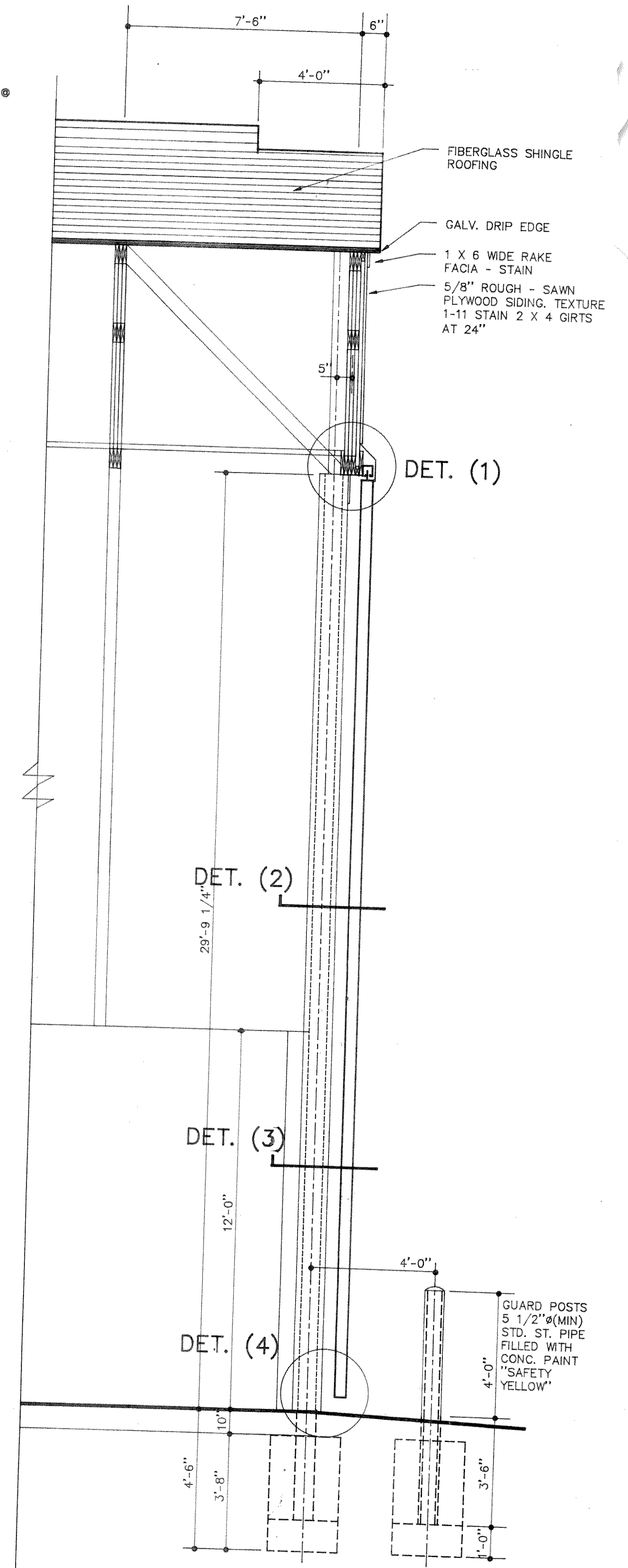
NOTE:  
ALL HARDWARE TO BE AS MANUFACTURED BY  
RICHARDS-WILCOX OR APPROVED EQUAL.



DETAIL PARTIAL ENDWALL ELEVATION: SLIDING DOORS  
SCALE 3/8" = 1'-0"



SLIDING DOOR DETAILS  
SCALE 2" = 1'-0"



SECTION 3: THRU ENTRANCE  
SCALE 3/8" = 1'-0"

*Handwritten signature*

ORFI & UNDF  
ARCHITECTS & F  
ELMIRA, NY  
TEL. (607)

ADVANCED STORAGE TECHNOLOGY  
\* MINNEAPOLIS, MINN. \*  
\* ELMIRA, N.Y. \*  
\* HARTFORD, CONN. \*

PROPOSED NEW (40' X 64' X 12')  
SALT STORAGE BUILDING  
MERRILL, WISCONSIN  
SLIDING DOOR DETAILS

JOB NO.  
87349

DWG. NO.  
6