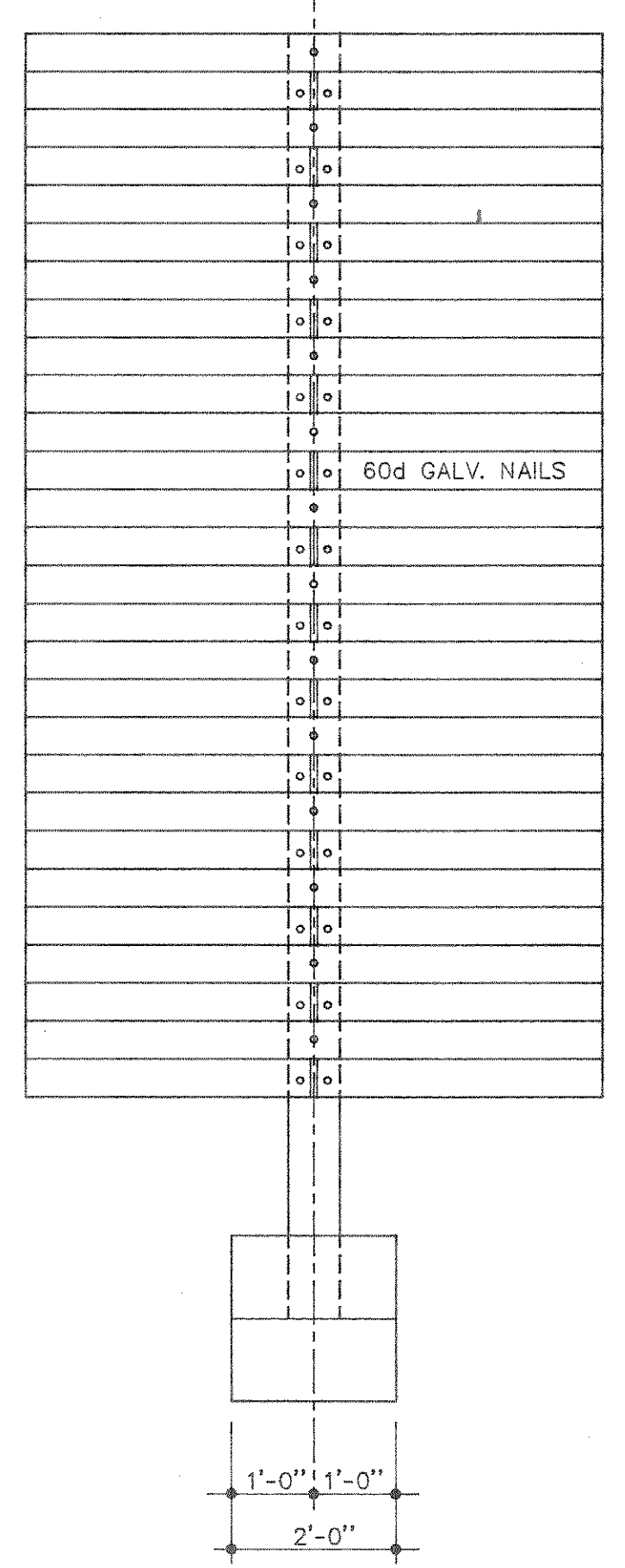
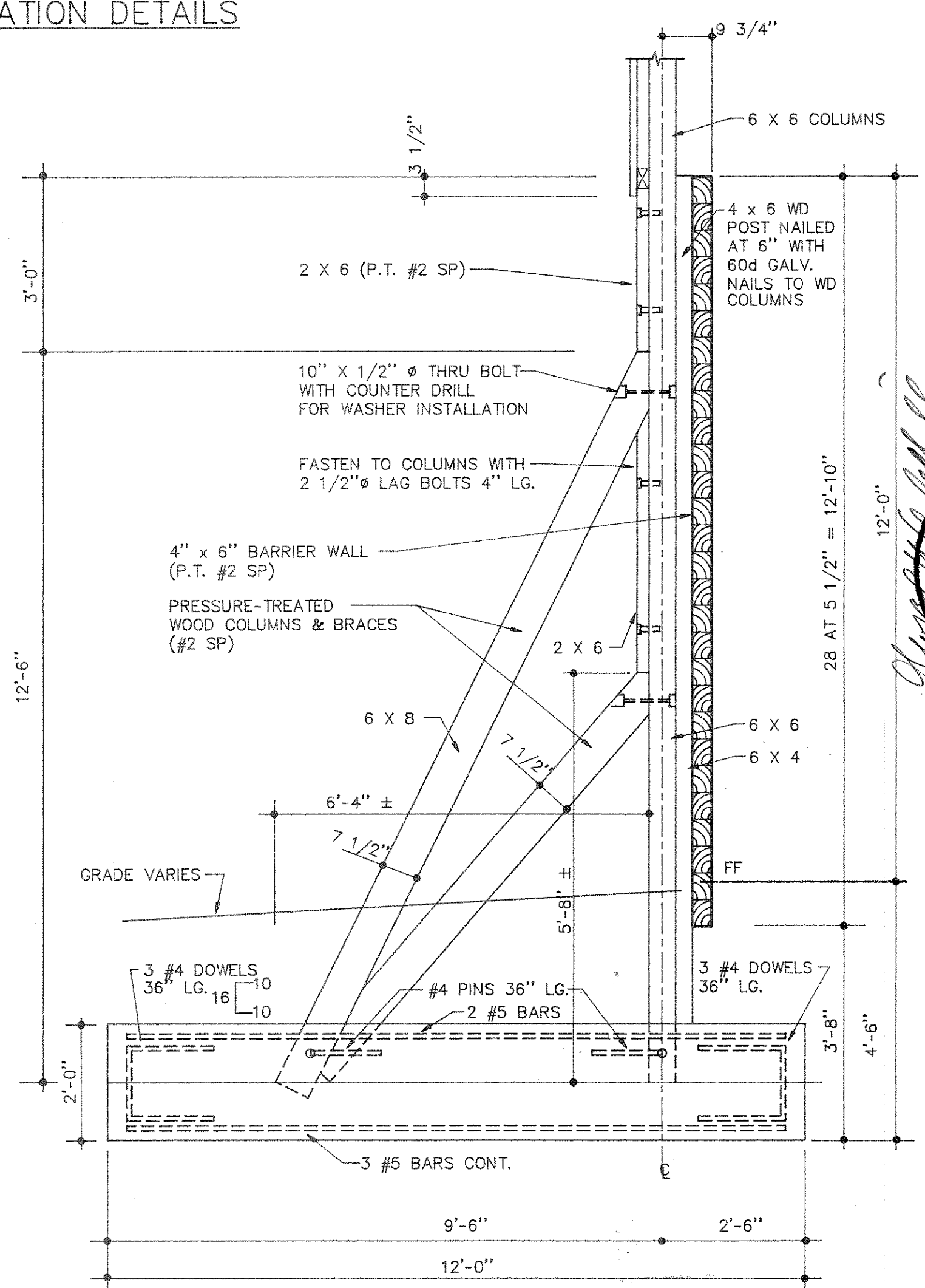


FOUNDATION AT SIDEWALL COLUMNS

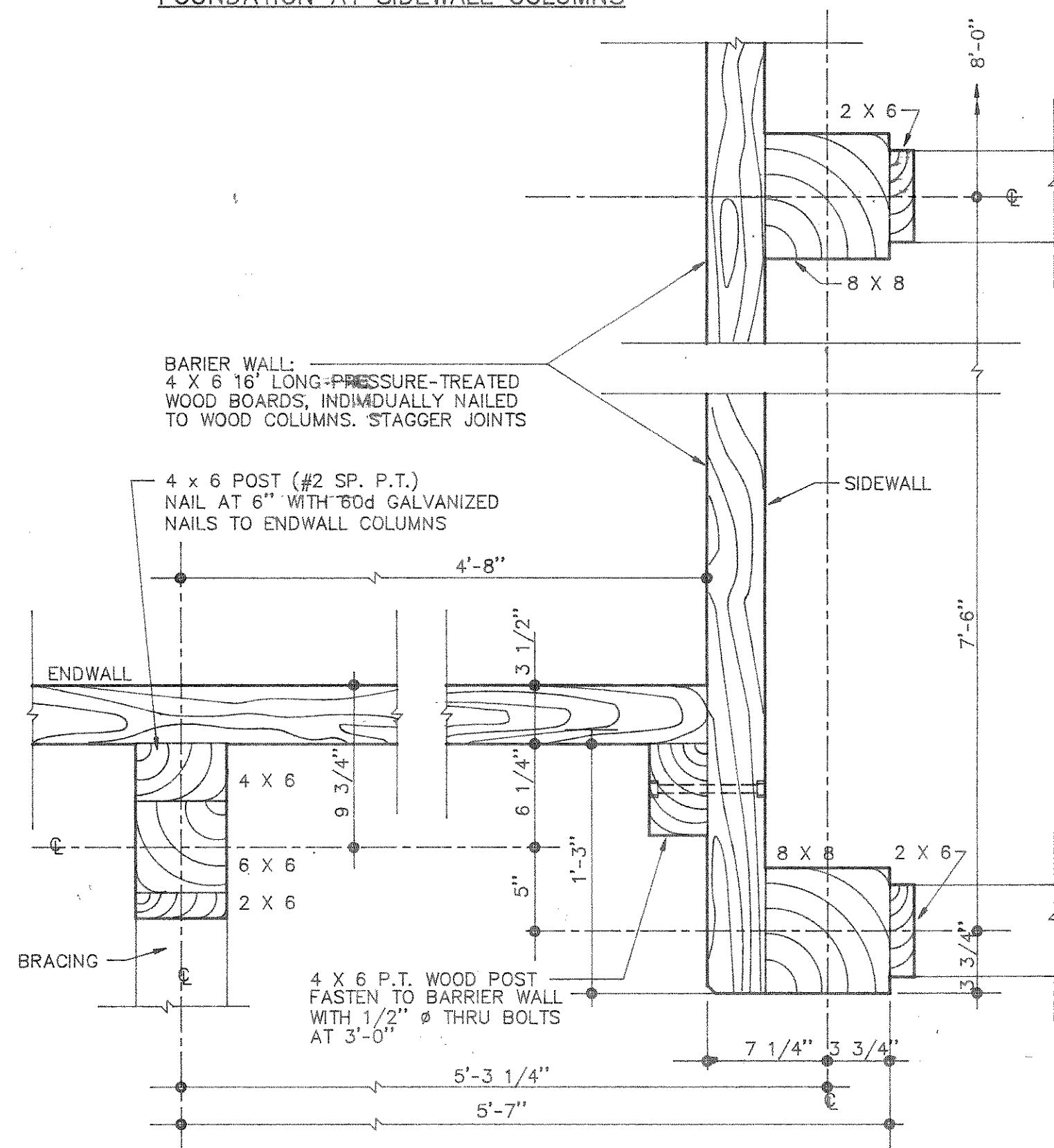
**TYPICAL COLUMN FOUNDATION DETAILS**  
SCALE 1/2"=1'-0"



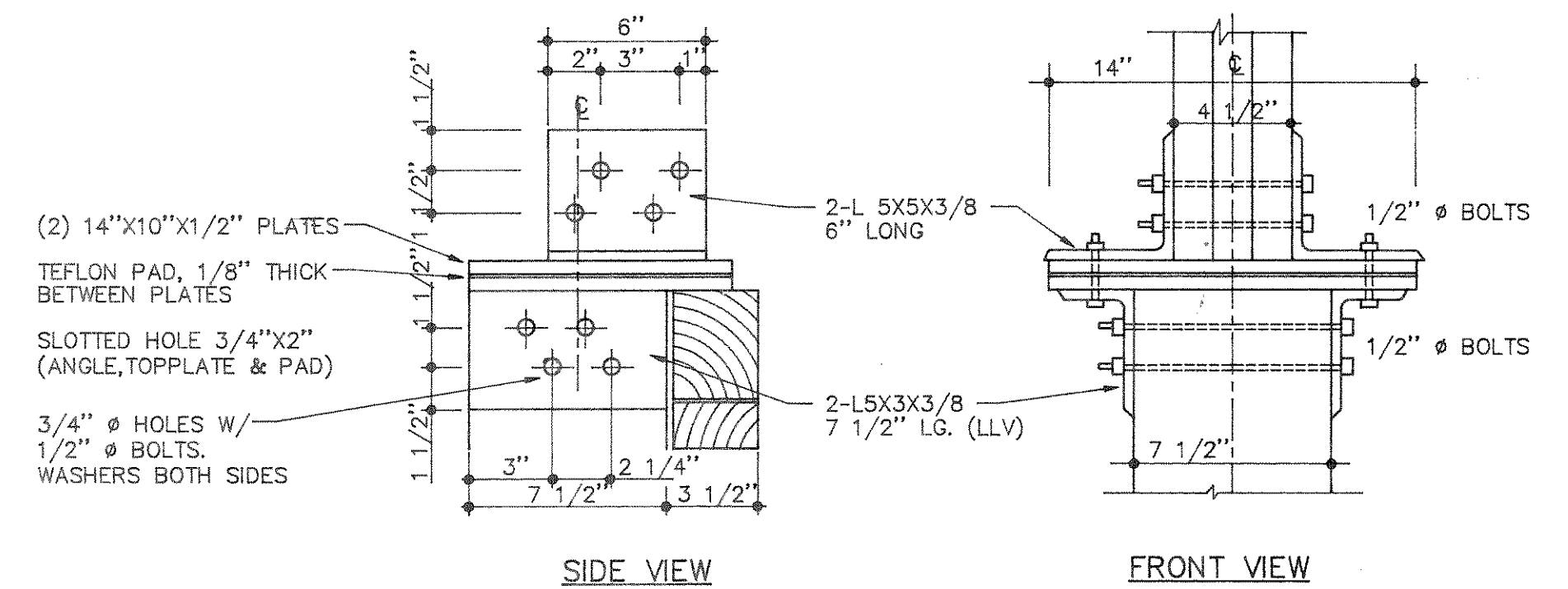
ELEV. : BARRIER WALL



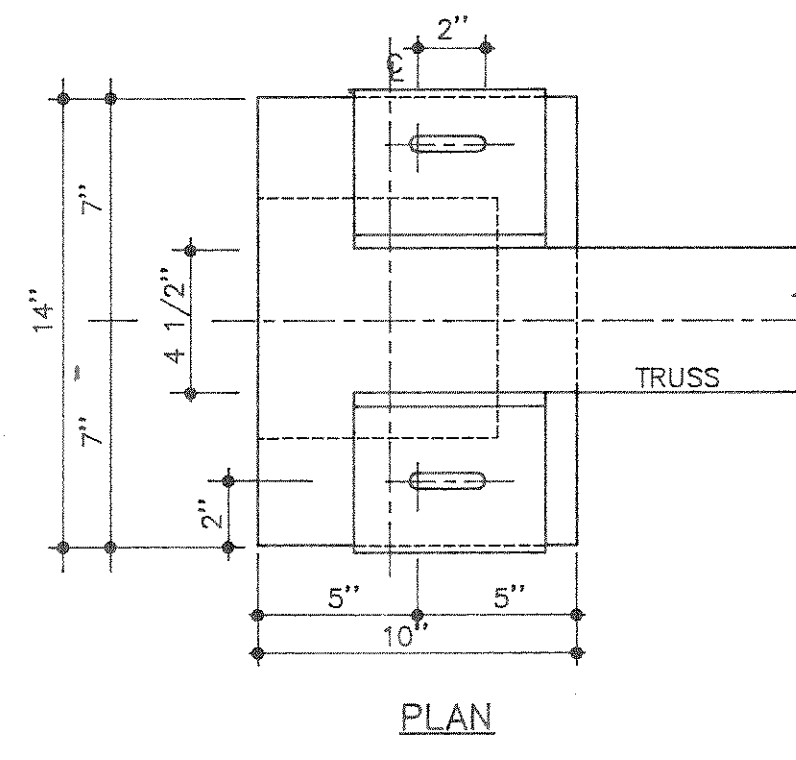
FOUNDATION AT ENDWALL COLUMNS



BARRIER WALL DETAILS  
SCALE 1 1/2"=1'-0"



TRUSS BEARING DETAILS  
SCALE 2"=1'-0"



OCT 27 1987

**BUILDING PLANS**  
Conditionally  
**APPROVED**

DEPARTMENT OF INDUSTRY, LABOR AND HUMAN RELATIONS

SEE CORRESPONDENCE

DRAWN SEA	CHECKED	SCALE AS NOTED	DATE 8-26-87
HIGH-ARCH GAMBREL U.S. PATENT NO. 4,483,117		REVISIONS	
		REGISTERED PROFESSIONAL ENGINEER STATE OF NEW YORK	
		ARCHITECTS & ENGINEERS ELMIRA, NEW YORK TEL. (607) 734 2757	
<b>ADVANCED STORAGE TECHNOLOGY</b> * MINNEAPOLIS, MINN. * * ELMIRA, N.Y. * * HARTFORD, CONN. *			
PROPOSED NEW (40' X 64' X 12') SALT STORAGE BUILDING MERRILL, WISCONSIN FLOOR/FOUNDATION PLAN & DETAILS			
JOB NO. 87349			
DWG. NO. 2			