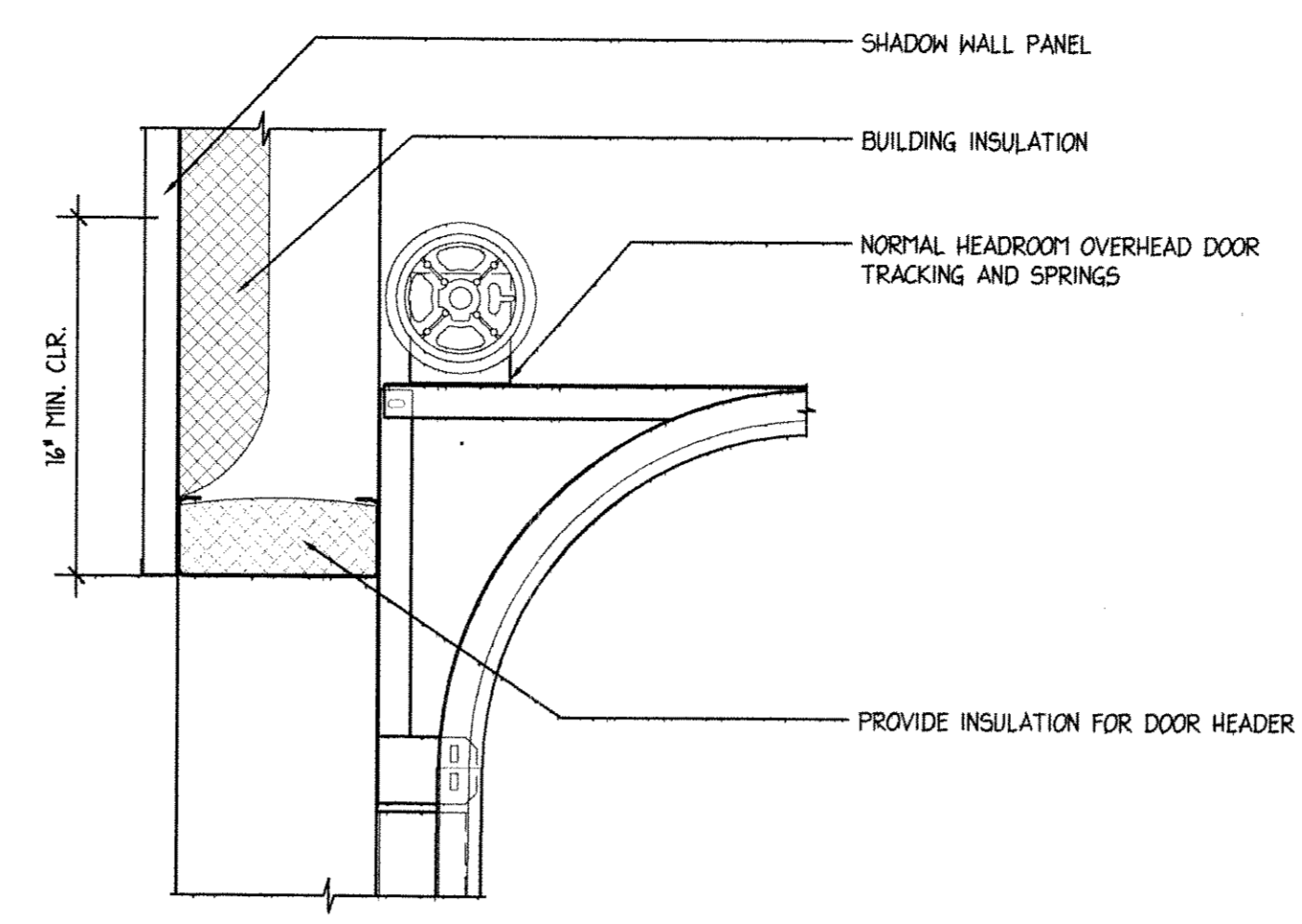
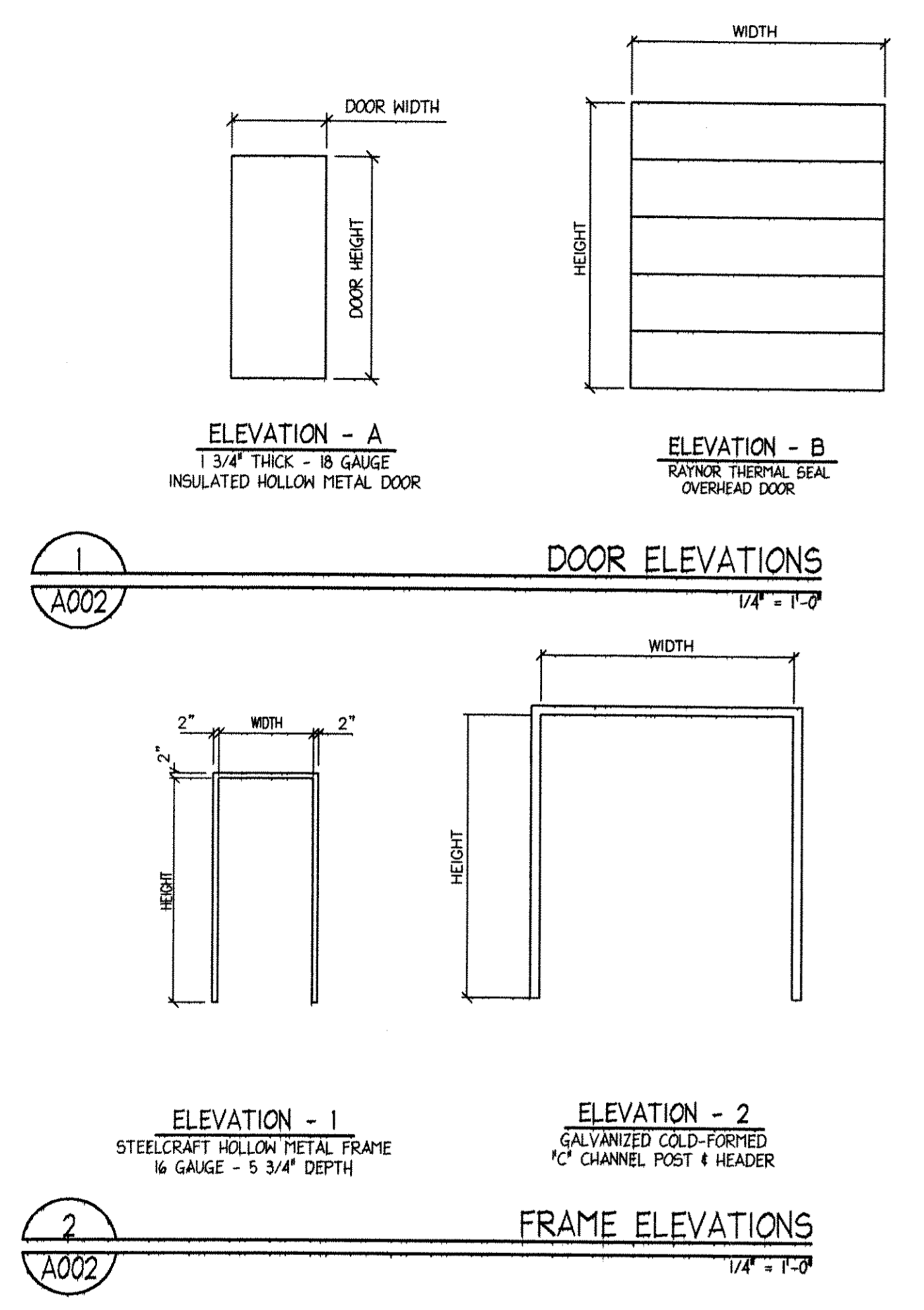


This document contains confidential or proprietary information of URBAN CONSTRUCTION COMPANY. Neither this document nor the information herein is to be reproduced, distributed, used or disclosed either in whole or in part except as specifically authorized by URBAN CONSTRUCTION COMPANY.

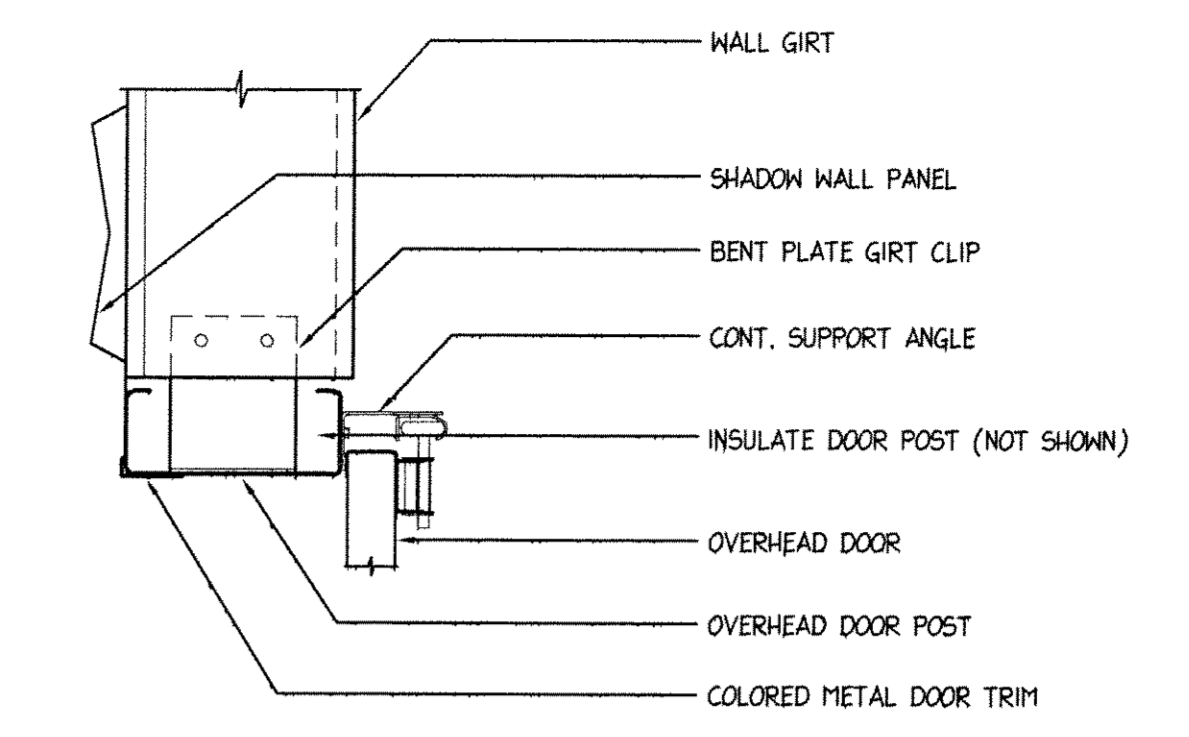
DOOR SCHEDULE																	
NO.	DOOR			SIZE			FRAME			HARDWARE			FIRE LABEL	LINTELS		REMARKS	
	TYPE	MAT.		WIDTH	HEIGHT	THICK.	TYPE	MAT.	JAMB	HEAD	SILL	SET		HAND	KEYSIDE ROOM NO.		TYPE
101A	B	ovhd	20'	14'	3"	2	steel	465/A002	3/A002								
101B	A	H.M.	3'	7'	1 3/4"	1	H.M.	647/A002	6/A002								
101C	A	H.M.	3'	7'	1 3/4"	1	H.M.	647/A002	6/A002								
101D	B	ovhd	20'	14'	3"	2	steel	465/A002	3/A002								
101E	A	H.M.	3'	7'	1 3/4"	1	H.M.	647/A002	6/A002								

**NOTES:**  
 1. PROVIDE A 1/2 HP TROLLEY DOOR OPERATOR WITH SIX REMOTE CONTROLS AND ONE (3) BUTTON CONTROL. (120 VOLTS)  
 2. PROVIDE (5) VISION LITES IN EACH O.V.H.D. SIZE 8'x24" W/DOUBLE ACRYLIC PANELS.

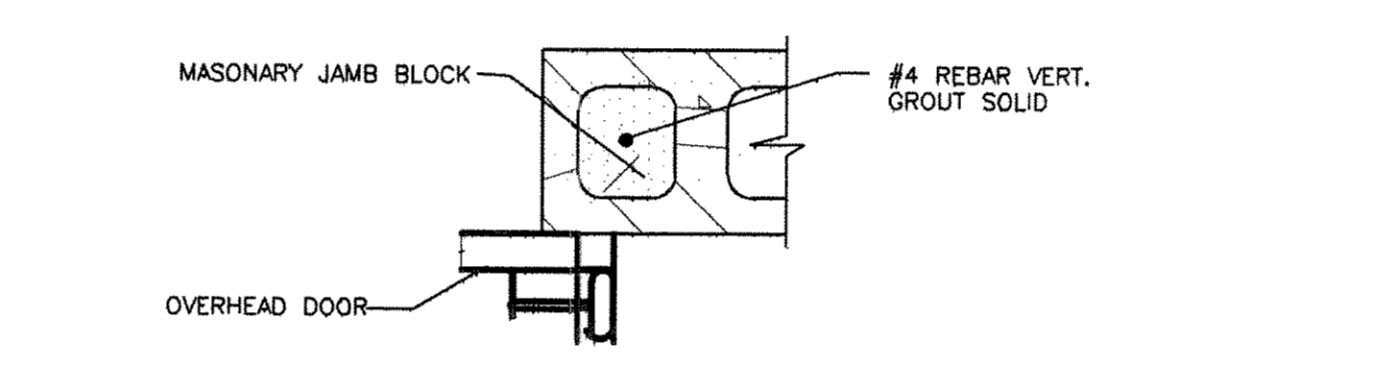
**HARDWARE SETS:**



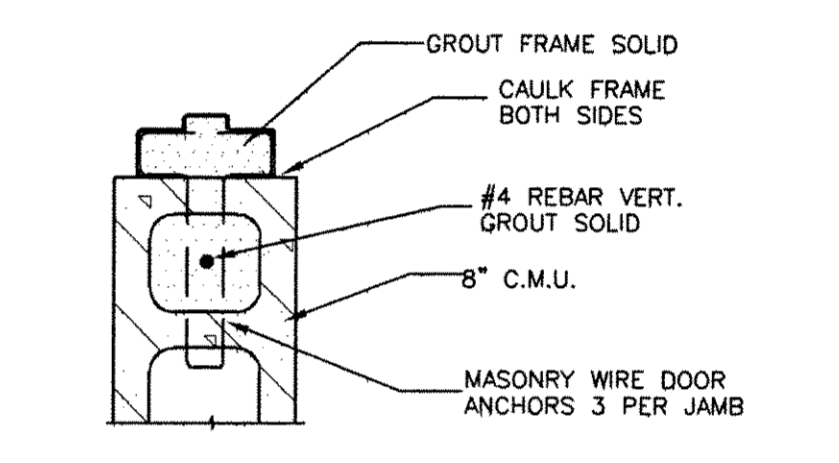
**3** N.H. OVERHEAD DOOR HEAD DETAIL  
 A002 1 1/2" = 1'-0"



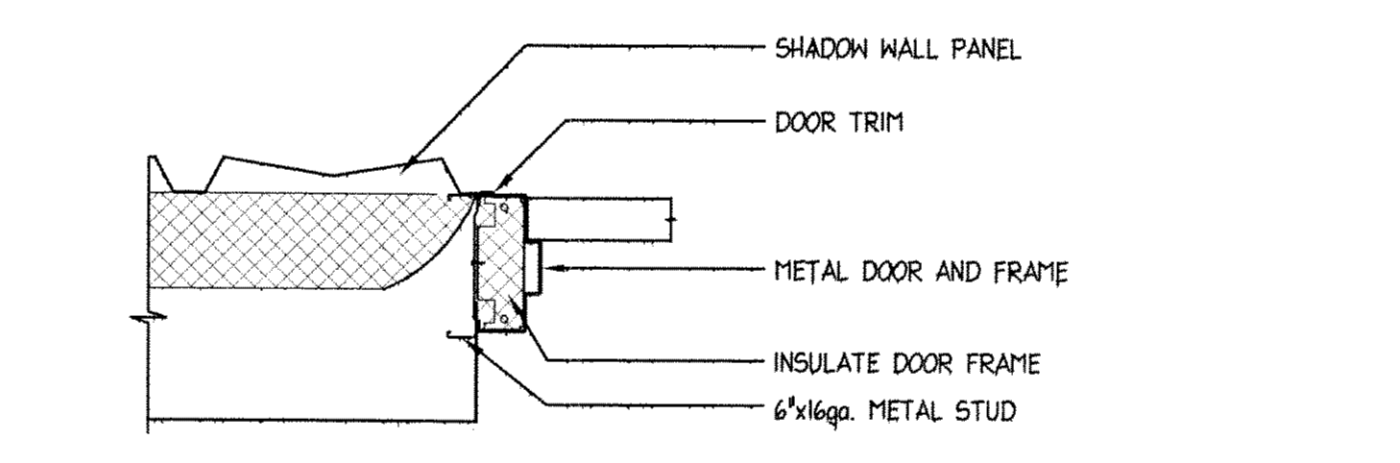
**4** OVERHEAD DOOR JAMB DETAIL  
 A002 1 1/2" = 1'-0"



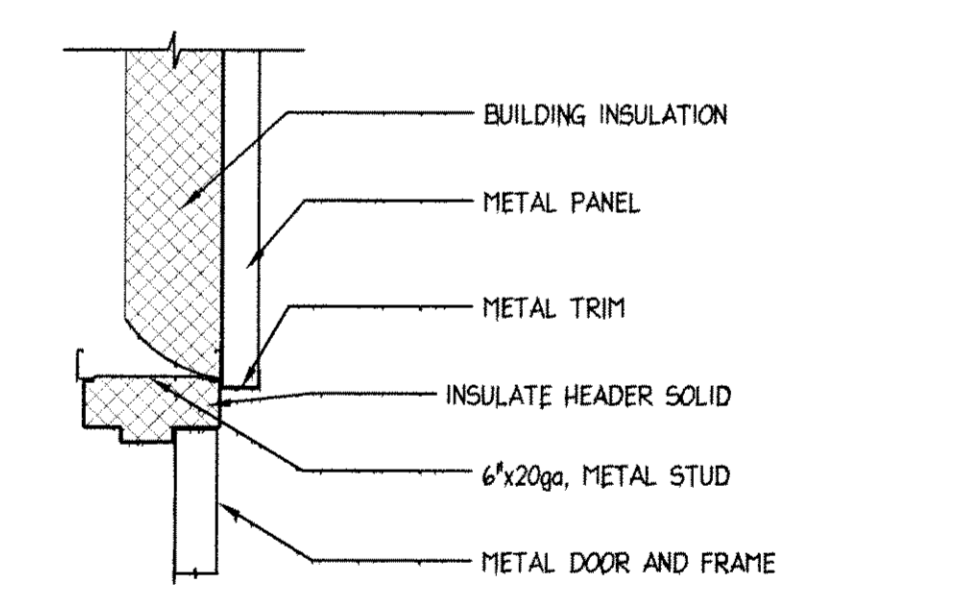
**5** OVERHEAD DOOR JAMB DETAIL  
 A002 1 1/2" = 1'-0"



**6** HOLLOW METAL DOOR JAMB DETAIL  
 A002 1 1/2" = 1'-0"



**7** HOLLOW METAL DOOR JAMB  
 A002 1 1/2" = 1'-0"



**8** HOLLOW METAL DOOR HEAD  
 A002 1 1/2" = 1'-0"

**URBAN CONSTRUCTION COMPANY**  
 2005 Cassidy Drive - Wausau, WI 54401  
 Tel: (715) 875-9425 - FAX: (715) 875-9781  
 email: urban@dwave.net

REVISIONS	
NUMBER	DESCRIPTION
DATE BY	

**LINCOLN COUNTY HIGHWAY DEPARTMENT**  
 MERRILL, WI

PROJECT: \_\_\_\_\_  
 KEY: \_\_\_\_\_  
 CONSULTANT: \_\_\_\_\_

DRAWN BY: Ellen Kaldurski	DATE: 5/9/01
CHECKED BY:	DATE:
SCALE: 1 1/2" = 1'-0"	FILE NAME: 01516A002
CONTRACT NUMBER:	01-166
DRAWING NUMBER:	01516
DESCRIPTION:	DOOR SCHEDULE
SHEET NUMBER:	A002
BINDING ORDER:	SHEET OF