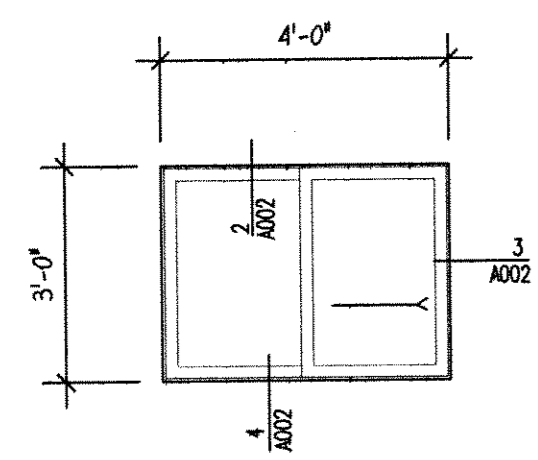
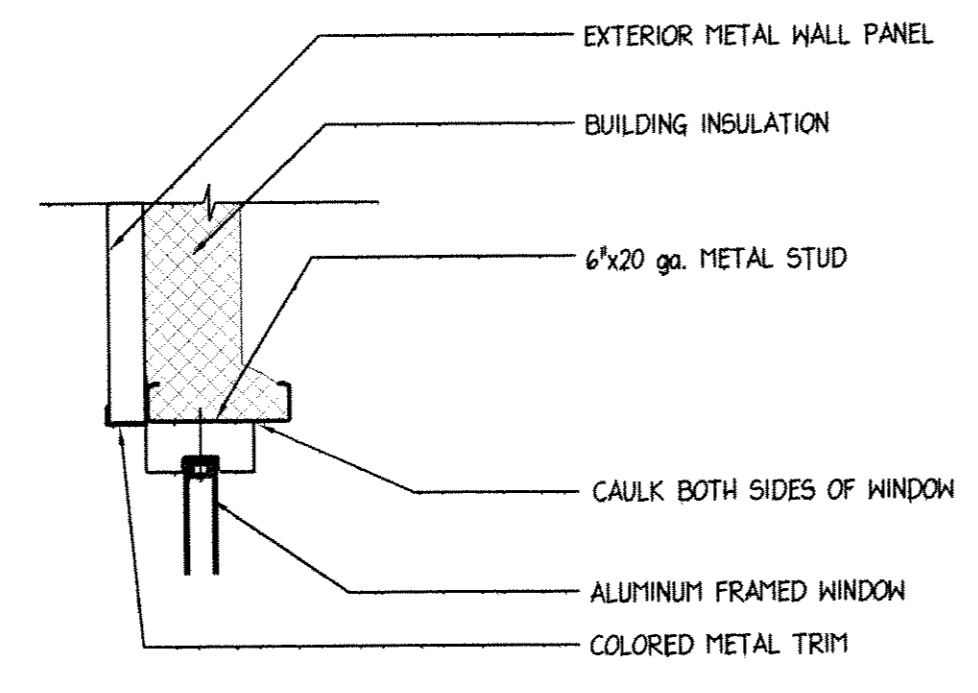


This document contains confidential or proprietary information of URBAN CONSTRUCTION COMPANY. Neither this document, nor the information herein is to be reproduced, distributed, used or disclosed either in whole or in part except as specifically authorized by URBAN CONSTRUCTION COMPANY.

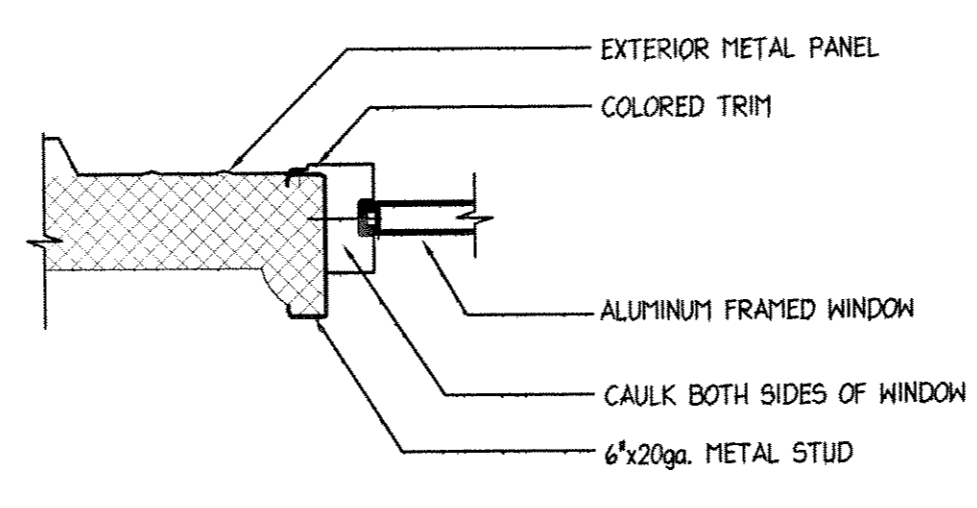


BRONZE ALUMINUM FRAMED SLIDE BY WINDOW WITH SCREEN, LOCK AND 3/4" INSULATED CLEAR ANNEALED GLASS

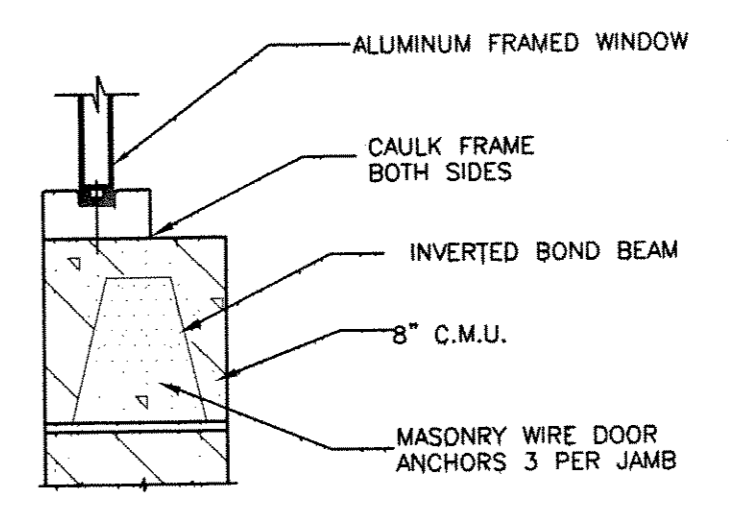
1 WINDOW 001 ELEVATION
A001 3/8" = 1'-0"



2 WINDOW HEADER DETAIL
A001 1/2" = 1'-0"



3 WINDOW JAMB DETAIL
A001 1/2" = 1'-0"



4 WINDOW SILL DETAIL
A001 1/2" = 1'-0"

ROOM FINISH SCHEDULE																		
NO.	ROOM NAME	FLOOR		BASE		NORTH WALL		WEST WALL		SOUTH WALL		EAST WALL		CEILING		REMARKS		
		MAT.	FINISH	MAT.	FINISH	MAT.	FINISH	MAT.	FINISH	MAT.	FINISH	MAT.	FINISH	MAT.	FINISH		HEIGHT	
101	STORAGE GARAGE	CONC-1	SEAL-1	NONE	---	STRUCT.	FAC	STRUCT.	FAC	STRUCT.	FAC	STRUCT.	FAC	STRUCT.	FAC	---	VARIABLE	1.

FINISH SCHEDULE KEY		REMARKS	
BLK-1	EXPOSED CONCRETE MASONRY UNITS	1. PROVIDE 4' HIGH x 8' BLOCK NATURAL GREY DECORATOR BLOCK AROUND PERIMETER. NOTE TOP COURSE SHOULD BE SMOOTH W/ A CONTINUOUS BOND BEAM	
CONC-1	EXPOSED CONCRETE		
FAC	FACTORY FINISH		
SEAL-1	TK26 CONCRETE FLOOR SEALER		
STRUCT	EXPOSED STEEL STRUCTURAL PRIME PAINTED GRAY	PAINTING NOTES	
		1. EXTERIOR UNPRIMED METALS SHALL BE FINISHED WITH ONE COAT OF PRIMER AND TWO FINISH COATS OF ENAMEL PAINT.	
		2. EXTERIOR PRIMED METALS SHOULD HAVE BARE METAL TOUCHED UP WITH PRIMER AND TWO FINISHED COATS OF ENAMEL PAINT.	
		3. METAL DOORS AND FRAMES TO HAVE BARE METAL TOUCHED UP WITH PRIMER AND FINISHED WITH TWO COATS OF ENAMEL PAINT.	

URBAN CONSTRUCTION COMPANY
 2005 Cassidy Drive - Wausau, WI 54401
 Tel: (715) 675-9425 - FAX: (715) 675-9781
 email: urban@wave.net

REVISIONS	
NUMBER	DESCRIPTION

LINCOLN COUNTY HIGHWAY DEPARTMENT
 MERRILL, WI

PROJECT
 KEY

CONSULTANT

DRAWN BY Ellen Kaldunski	DATE 5/9/01
CHECKED BY	DATE
SCALE NOTED	FILE NAME 01516A001
CONTRACT NUMBER 01-166	DRAWING NUMBER 01516
DESCRIPTION ROOM FINISH AND WINDOW SCHED.	
SHEET NUMBER A001	
ENDING ORDER SHEET OF	