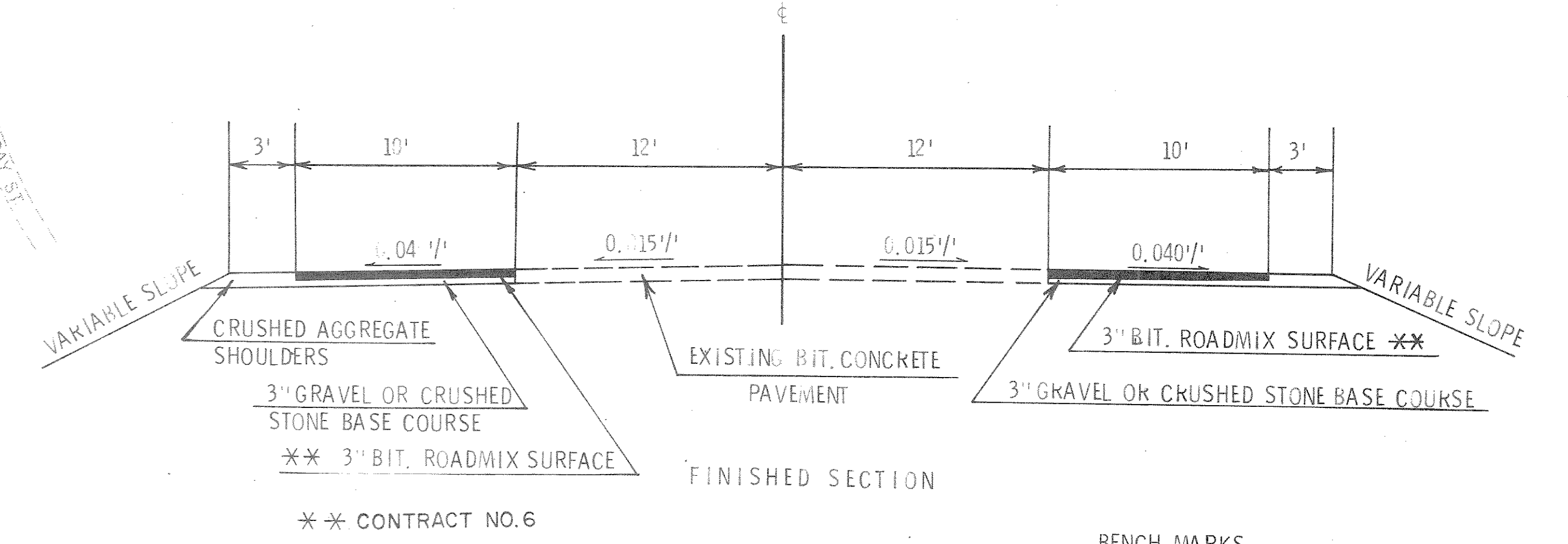
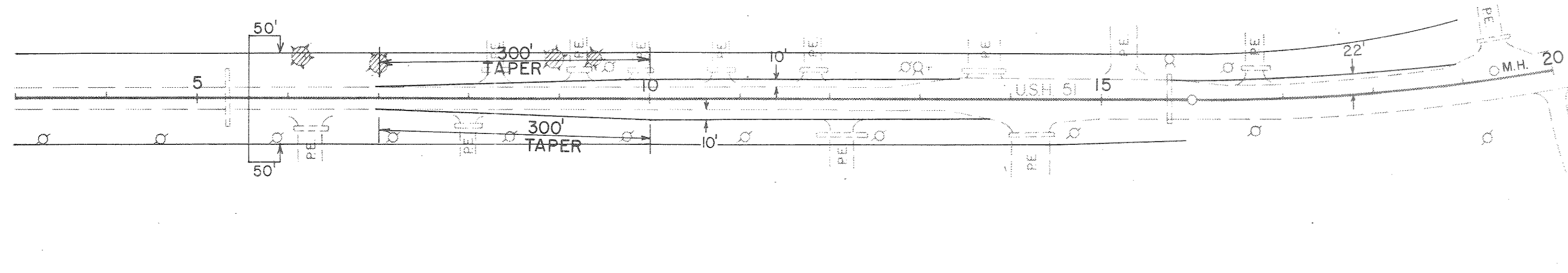
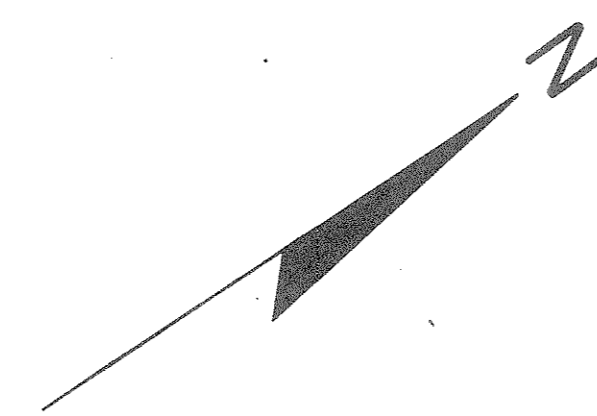


PROJECT DESIGNATION	SHEET NO.
HHS - 001(4) / 1174-3-70	
Plan & Profile For	
U. S. H. 51	Lincoln County



BENCH MARKS				
NO.	STATION	DESCRIPTION		ELEV.
1	6+15	PK. NAIL IN 30" PINE	44' LT.	100.00
2	15+76	TOP HYDRANT	44' LT.	129.70

