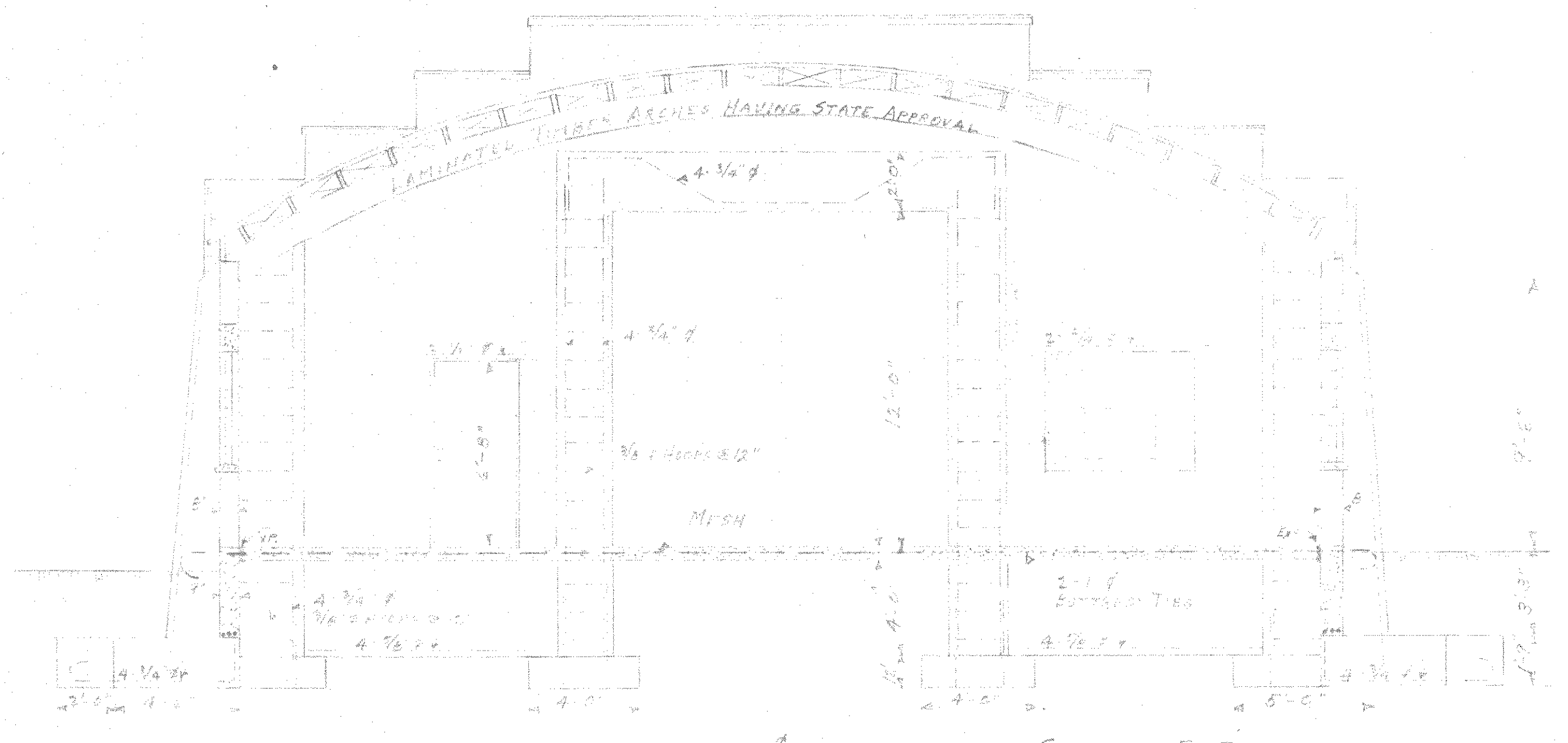
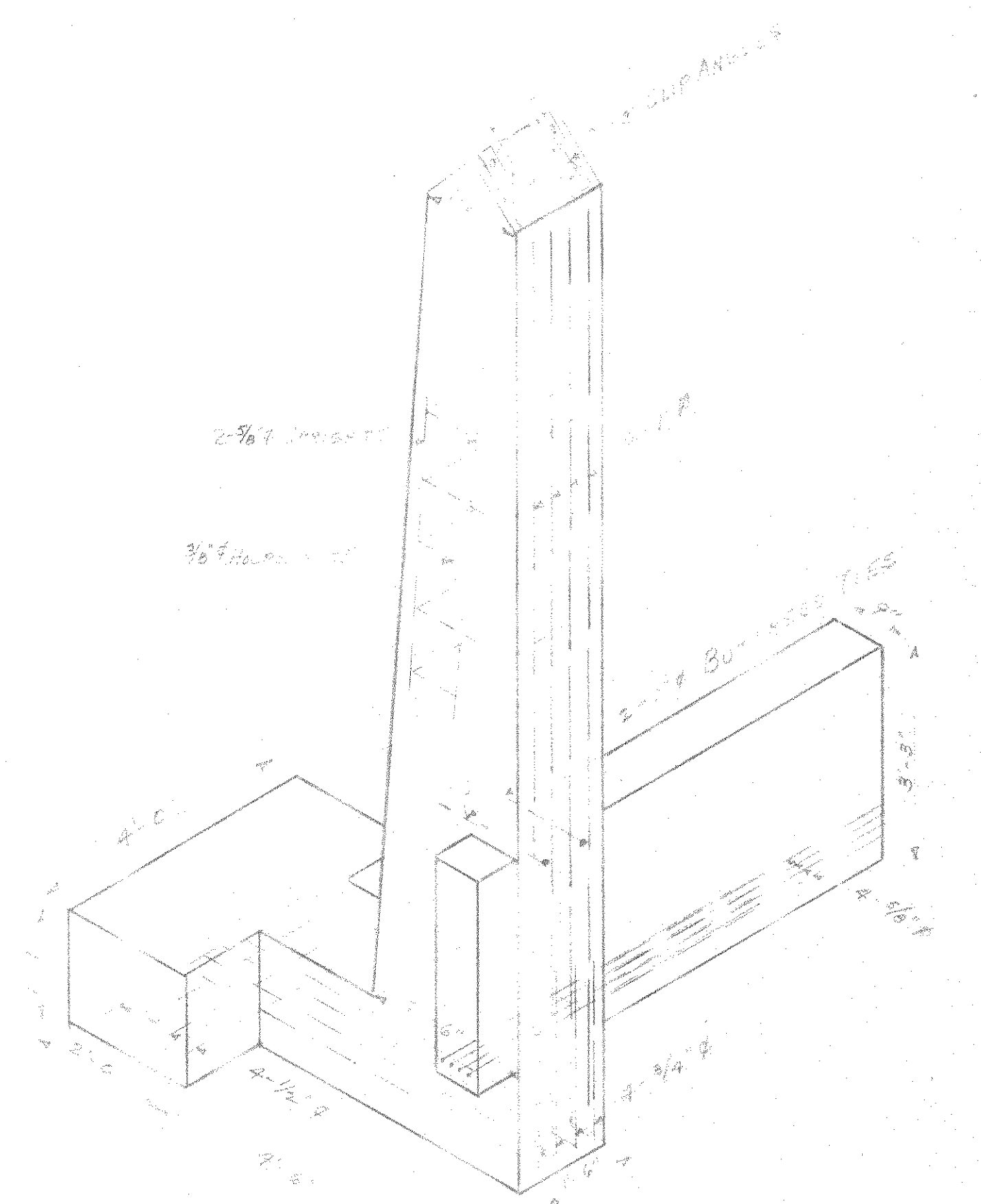


SECTION A-A

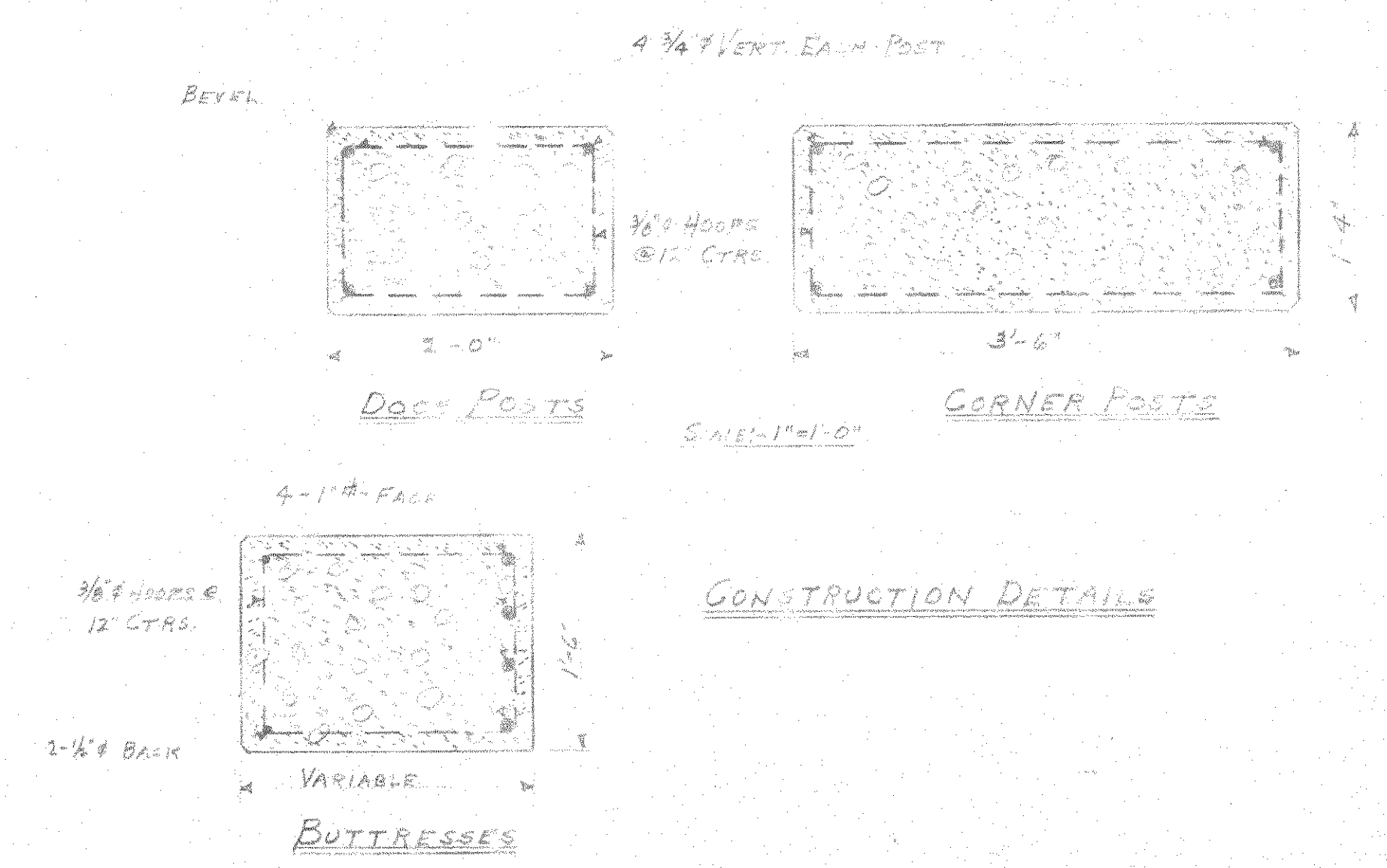


SECTION B-B

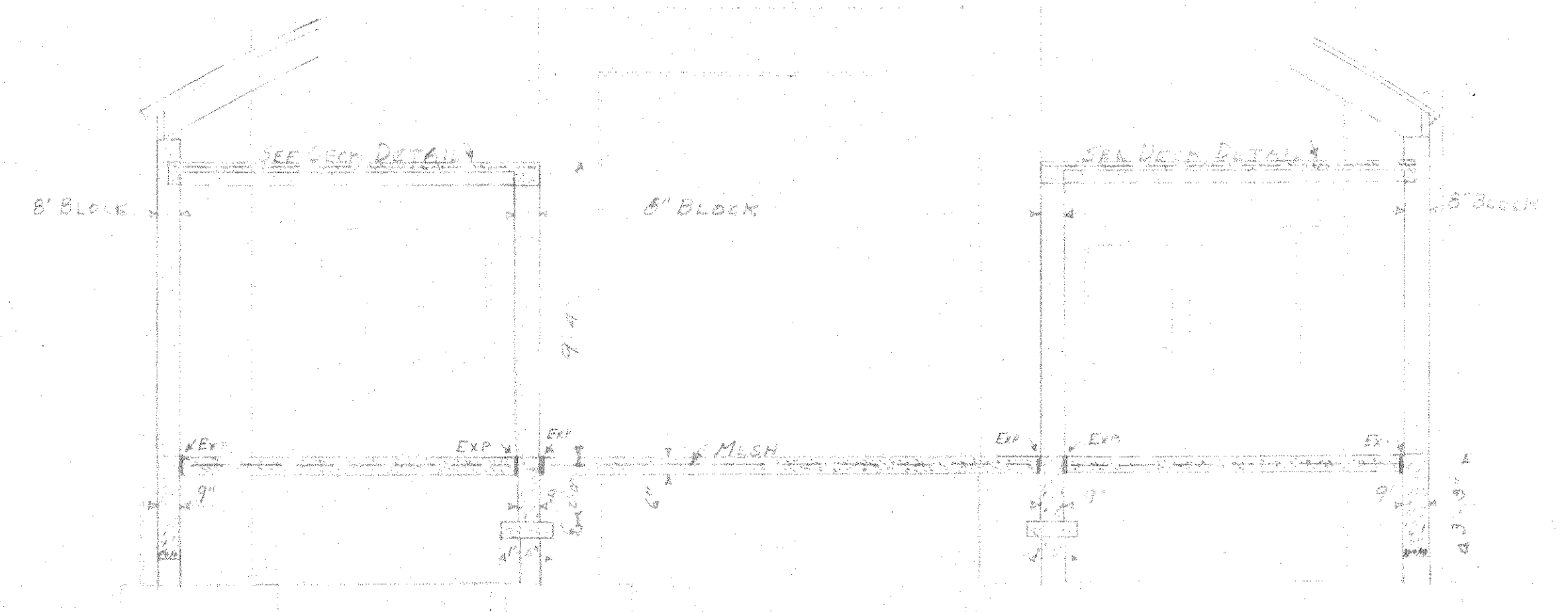
SCALE: 1/4"=1'-0"



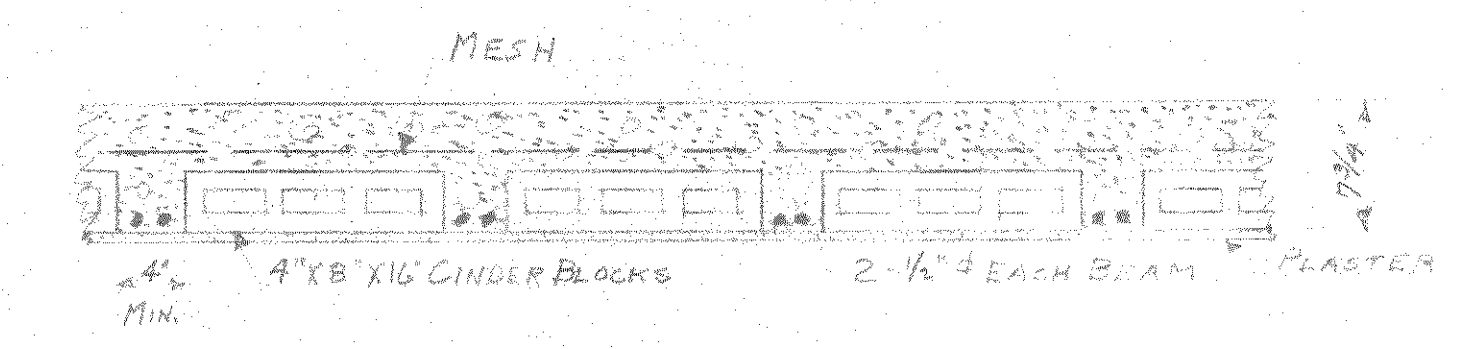
ISOMETRIC OF BUTTRESS  
SCALE: 1/2"=1'-0"



CONSTRUCTION DETAILS



SECTION C-C



DETAIL OF DECK  
SCALE: 1"=1'-0"

	LINCOLN COUNTY FORESTRY DEPT	
	SHOP # 3AR 3E	
	TOMAHAWK - WISCONSIN	
	SCALE - AS SHOWN	PLS
JOB NO. 208-2	CONSULTING ENGINEERING CO. RHINELANDER, WIS.	

REVISED 7/24/42