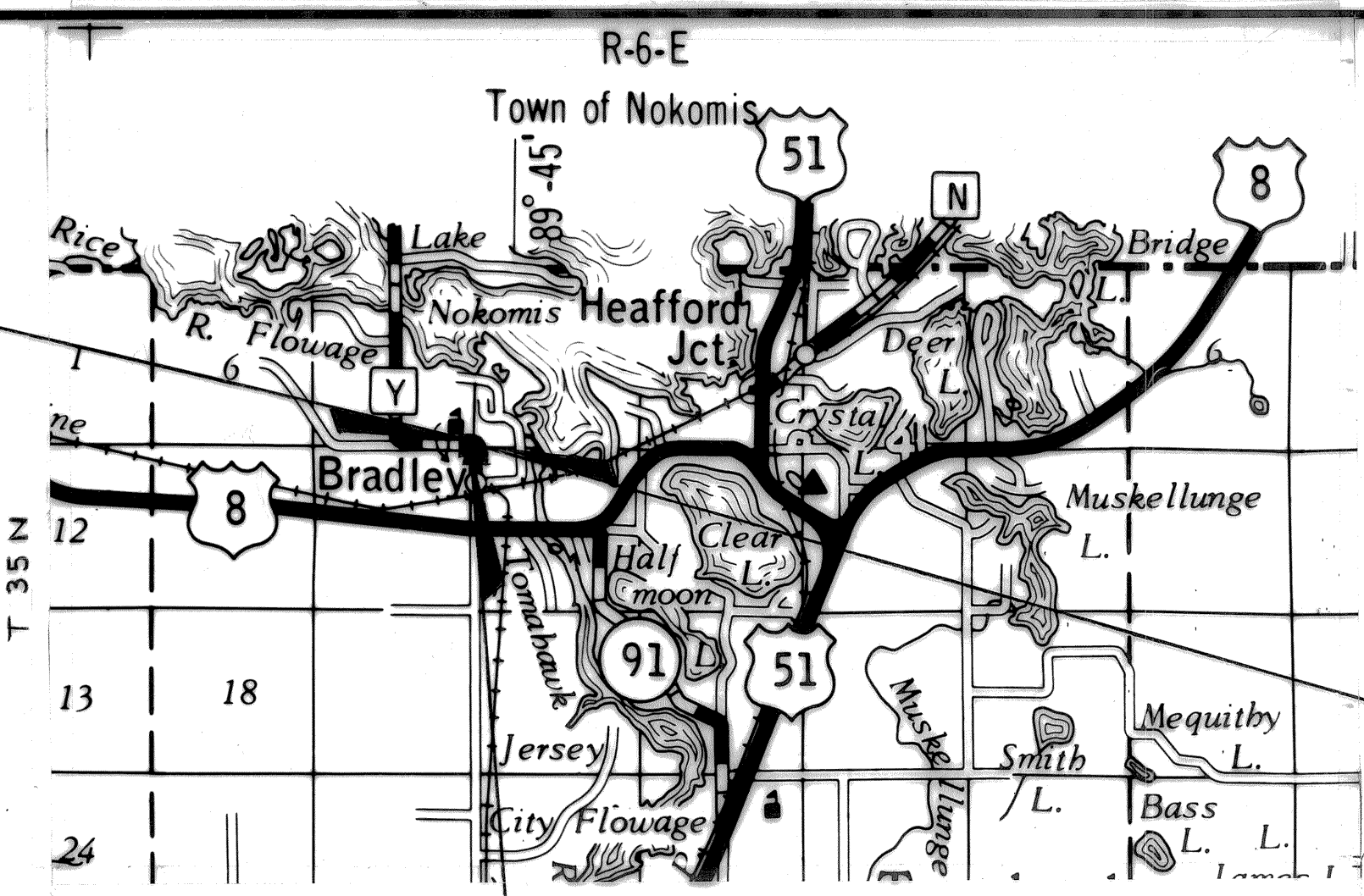


REVISION DATE	R/W PROJECT NUMBER	SHEET NUMBER
5-8-78 D.A.G. 7-10-78 D.A.G.	9433-1-00	4-1
FEDERAL PROJECT NUMBER		
PLAT OF RIGHT OF WAY REQUIRED FOR U.S.H. 8 - N. COUNTY LINE ROAD C.T.H. "Y" LINCOLN COUNTY SCALE 1 INCH = 50 FT. DATE		
CONSTRUCTION PROJECT NUMBER 9433-1-70		



END RELOCATION ORDER
PROJECT 9433-1-00

BEGIN RELOCATION ORDER
PROJECT 9433-1-00

EQUATION: 22+24.9 BK. =
23+72.6 AH.

SCALE: 1 IN. = 1 MI.

CURVE NOTES
R/W CURVE #1
R = 448.2'
L = 181.3'
Δ = 23°-10'-51"
LC = 180.1'

CURVE NOTES
R/W CURVE #2
R = 448.2'
L = 519.8'
Δ = 66°-26'-55"
LC = 491.2'

BEGIN RELOCATION ORDER
PROJECT 9433-1-00
STATION 12+00
N. 621,460 (± 200')
E. 2,062,800 (± 200')
7.6' E. & 740.9' S. OF
THE N.E. CORNER SEC. 8,
T 35 N, R 6 E

END RELOCATION ORDER
PROJECT 9433-1-00
STATION 25+00
N. 622,200 (± 200')
E. 2,062,170 (± 200')
620.0 FT. W. & 2.9' S. OF
THE N.E. CORNER SEC. 8,
T 35 N, R 6 E

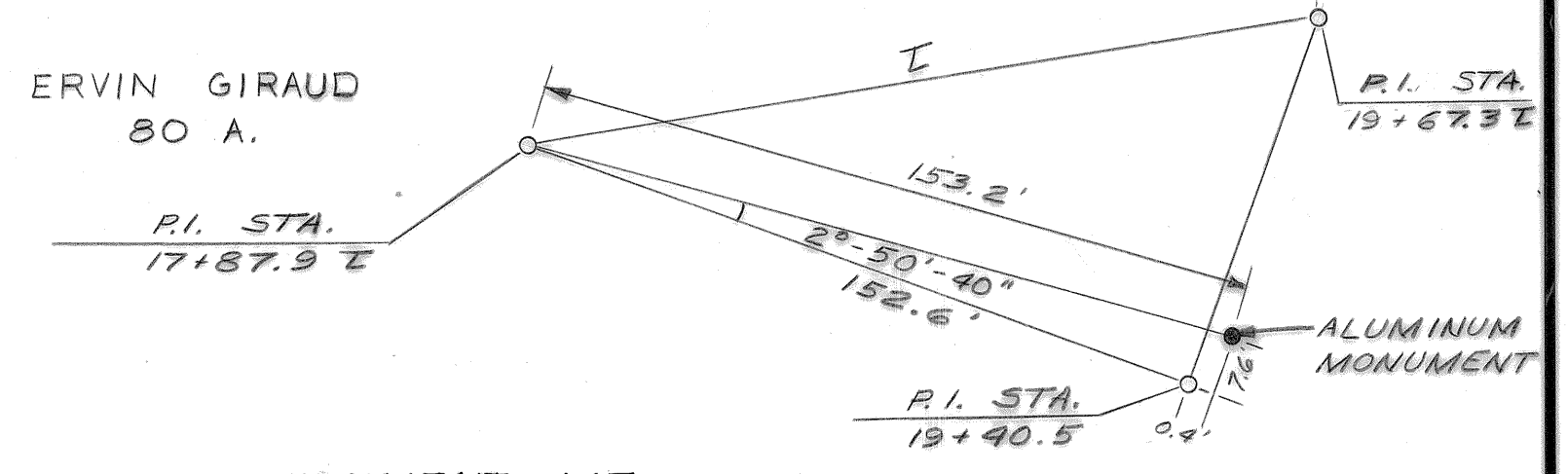
STANDARD ABBREVIATIONS
AND SYMBOLS

FT.	FEET
IN.	INCH
N.	NORTH
E.	EAST
S.	SOUTH
R/W	RIGHT-OF-WAY
P.L.	PROPERTY LINE
--- ---	UNDERGROUND FACILITY
— —	POWER POLE
⊙	TELEPHONE POLE
REQ'D.	REQUIRED
CONST.	CONSTRUCTION
R	REFERENCE LINE
T	TRANSIT LINE

PARCEL NO.	OWNER	INTEREST REQ'D.	ACRES		TOTAL REMAINING ACRES	OPERATIONS PROJECT NUMBER
			NEW R/W REQ'D.	EXISTING R/W		
1	ADOLPH IFLAND	FEE	0.032			9433-1-00
2	SCHOOL DISTRICT #1	FEE	0.065			"
3	RICHARD & MARIE MC CARTHY	FEE	0.007			"
4	ELMER & JOYCE HALVERSON	FEE	0.125			"
5	WESTLEY E. CLEMENTS	FEE	1.07			"
6	ERVIN GIRAUD	FEE	0.112			"
7	GENERAL TELEPHONE CO.	RELEASE OF RIGHTS				"
8	WIS. PUBLIC SERVICE CORP.	RELEASE OF RIGHTS				"

CONSTRUCTION CURVE NOTES
PI = 19+40.5
I = 89°-46.5'
Δ = 90°-13.5'
D = 11°-30'
R = 498.2'
T = 500.2'
ARC = 784.6'
C = 700.0
SE = 0.06

DETAIL OF CORNER TIE



NOTE:
THE N.W. CORNER OF GOVERNMENT LOT NO. 2 IS RECORDED AS BEING 422 FT. SOUTH OF THE N.E. CORNER OF SECTION 8 ON THE ORIGINAL PLAT DATED 1878. EXISTING MONUMENTS INDICATE THIS DISTANCE TO BE 426.2 FT. BEARINGS SHOWN ARE MAGNETIC BEARINGS TO THE NEAREST MINUTE. COORDINATES ARE SCALED FROM U.S.G.S. TOPOGRAPHIC MAP, BRADLEY QUADRANGLE, CENTRAL WISCONSIN COORDINATE ZONE, FOR IDENTIFICATION ONLY.

APPROVED FOR
LINCOLN COUNTY
BY
3-12-78
DATE
Duane A. Dan
COUNTY COMMISSIONER