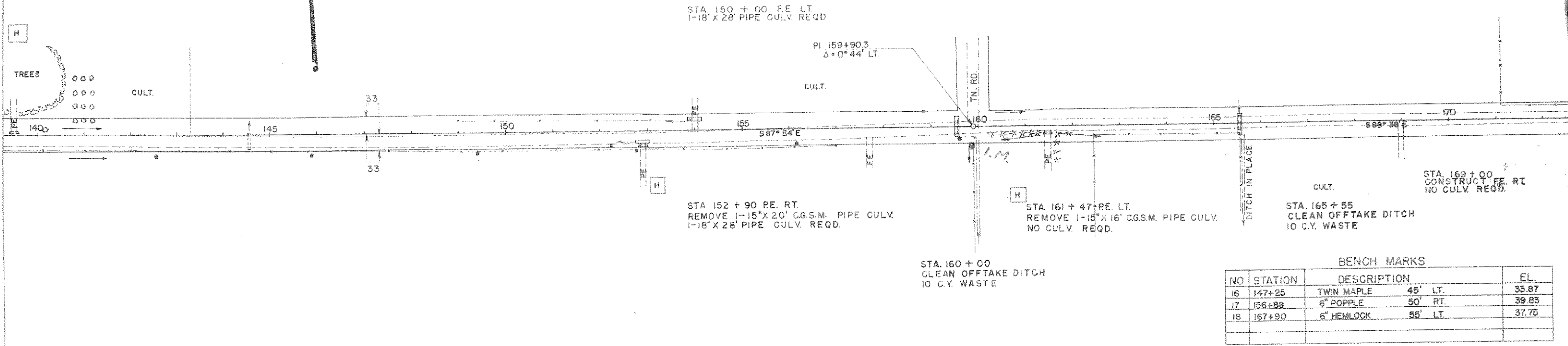


PLAN  
 DRAWN BY: [Signature]  
 CHECKED BY: [Signature]  
 DATE: 5-2-53



BENCH MARKS

NO	STATION	DESCRIPTION	EL.
16	147+25	TWIN MAPLE 45' LT.	35.87
17	156+88	6" POPLLE 50' RT.	39.83
18	167+90	6" HEMLOCK 55' LT.	37.75

PROFILE  
 DRAWN BY: [Signature]  
 CHECKED BY: [Signature]  
 DATE: 5-2-53

