

REVISION DATE	PROJECT ID	SHEET NUMBER	TOTAL SHEETS
9/23/70 NC	9424-1-21	4.2	
4/19/71	FEDERAL PROJECT DESIGNATION		
4/28/71 NC	E 0569(16)		
Plat of Right of Way Required Pine River - C.T.H. "WW" C.T.H. "P"			
Lincoln		SCALE 100	County 200 Ft.
DATE MARCH 25, 1970			
CONST. PROJECT 9424-170/50569(7) 4-1-28			

TOWN

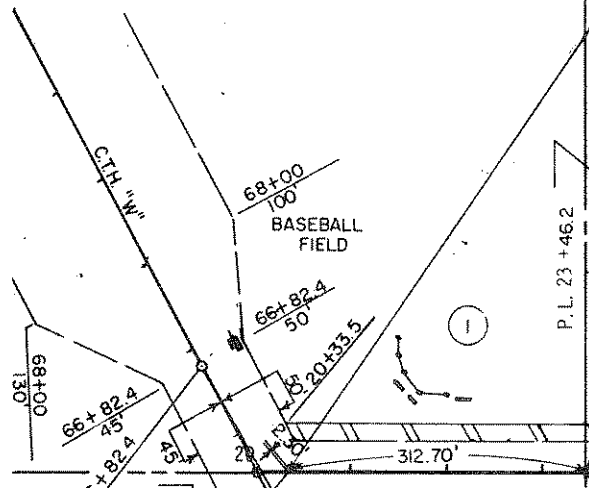
SW - SE

SE - SE

GOV'T LOT 1

BEGIN RELOCATION ORDER
PROJECT E 0569(16) STA. 20+33.5

WISCONSIN PUBLIC SERVICE CORP.
V. 229 MISC. 593



PI. 13'A" + 53.12
I. 194° 26'
Δ 14° 26'
D. 8° 00'
T. 90.69'
L. 178.25'
E. 5.72'
R. 716.20'

LEONARD HENRICH
V. 99 P. 371
V. 134 P. 107
84.86 AC. REMAINING

L.H.E. SLOPE
.11 AC. (TEMP.)

PC 12'A" + 62.43
L.H.E. SLOPE
0.8 AC. (TEMP.)

JOSEPH BERNIER
V. 98 P. 14
39.20 AC. REMAINING

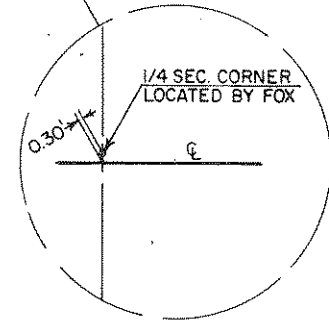
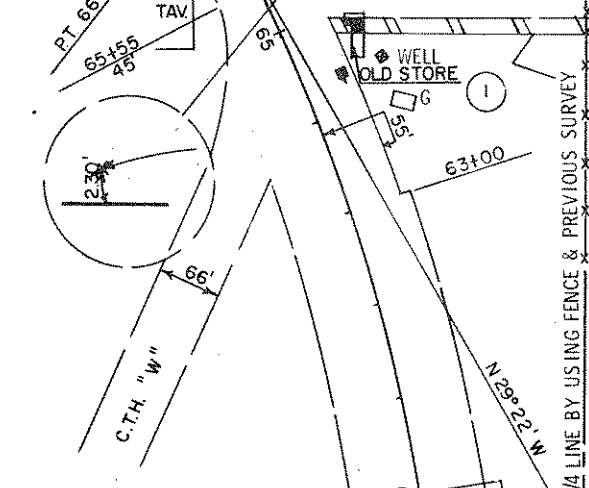
BURIED CABLE MARKER

MICHIGAN WISCONSIN PIPE LINE CO.
V. 215 P. 583

SUB STATION

GENERAL TELEPHONE CO.

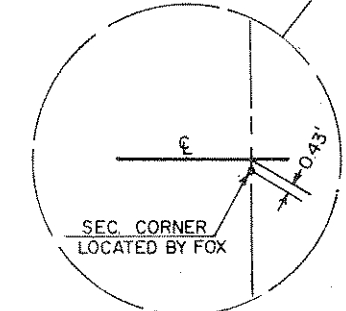
BURIED CABLE MARKER



NELLIE BERNIER (NELLY BARNEY) ET. AL.
V. 92 P. 312
39.34 AC. REMAINING

15'A" + 00 PINE BELLS ROAD
STA. 33+75 C.T.H. "P"

DAVID BARDEN
V. 92 W. P. 312
V. 212 P. 121
38.86 AC. REMAINING



NOTE:
BEARINGS SHOWN ON THIS PLAT
ARE THE TRUE BEARINGS OF EACH
TANGENT TO THE NEAREST MINUTE

PINE RIVER

SECTION LINE BY USING PREVIOUS SURVEY & GRANITE MONUMENT