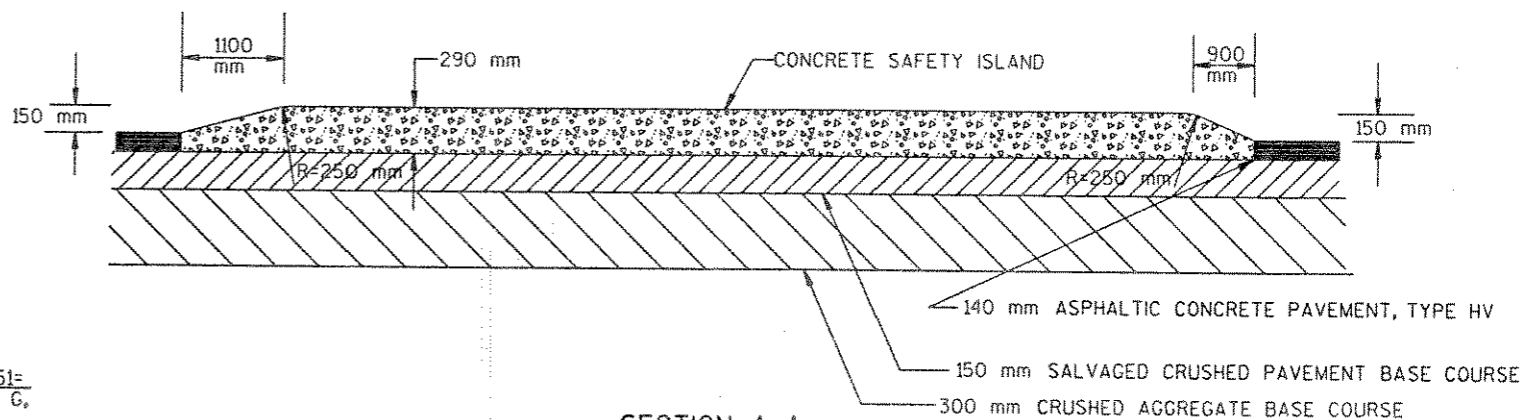
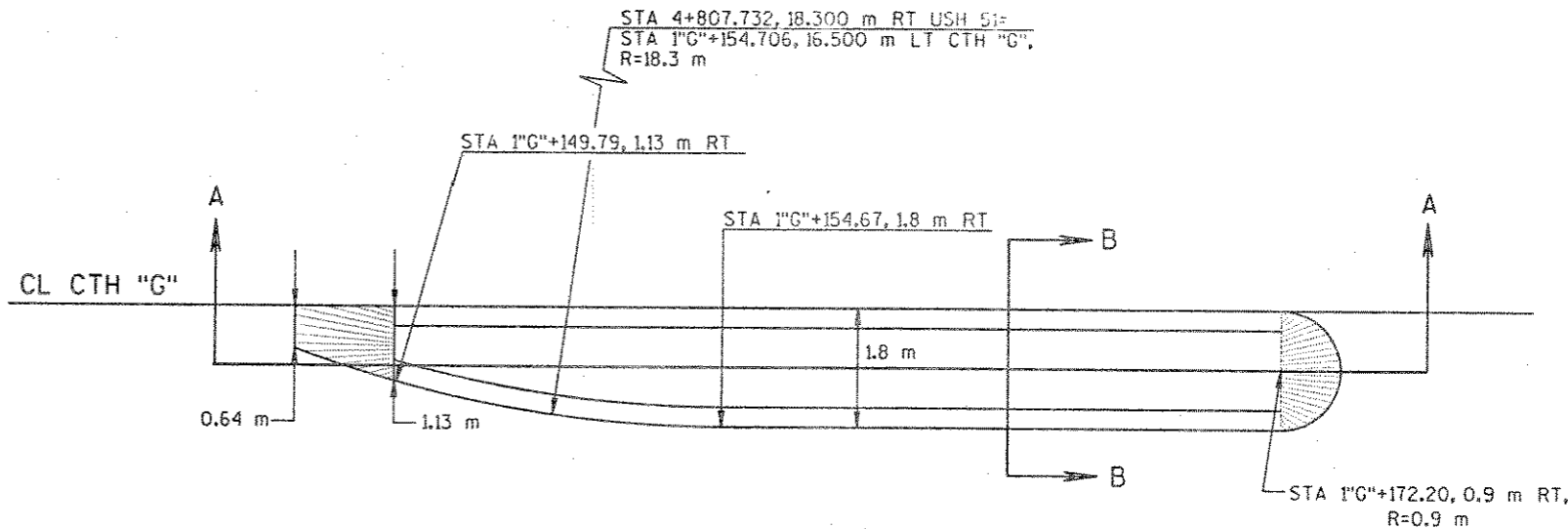
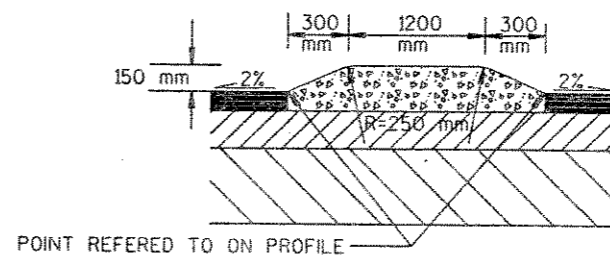


CONCRETE CURB & GUTTER 450 mm, TYPE 'D', MODIFIED

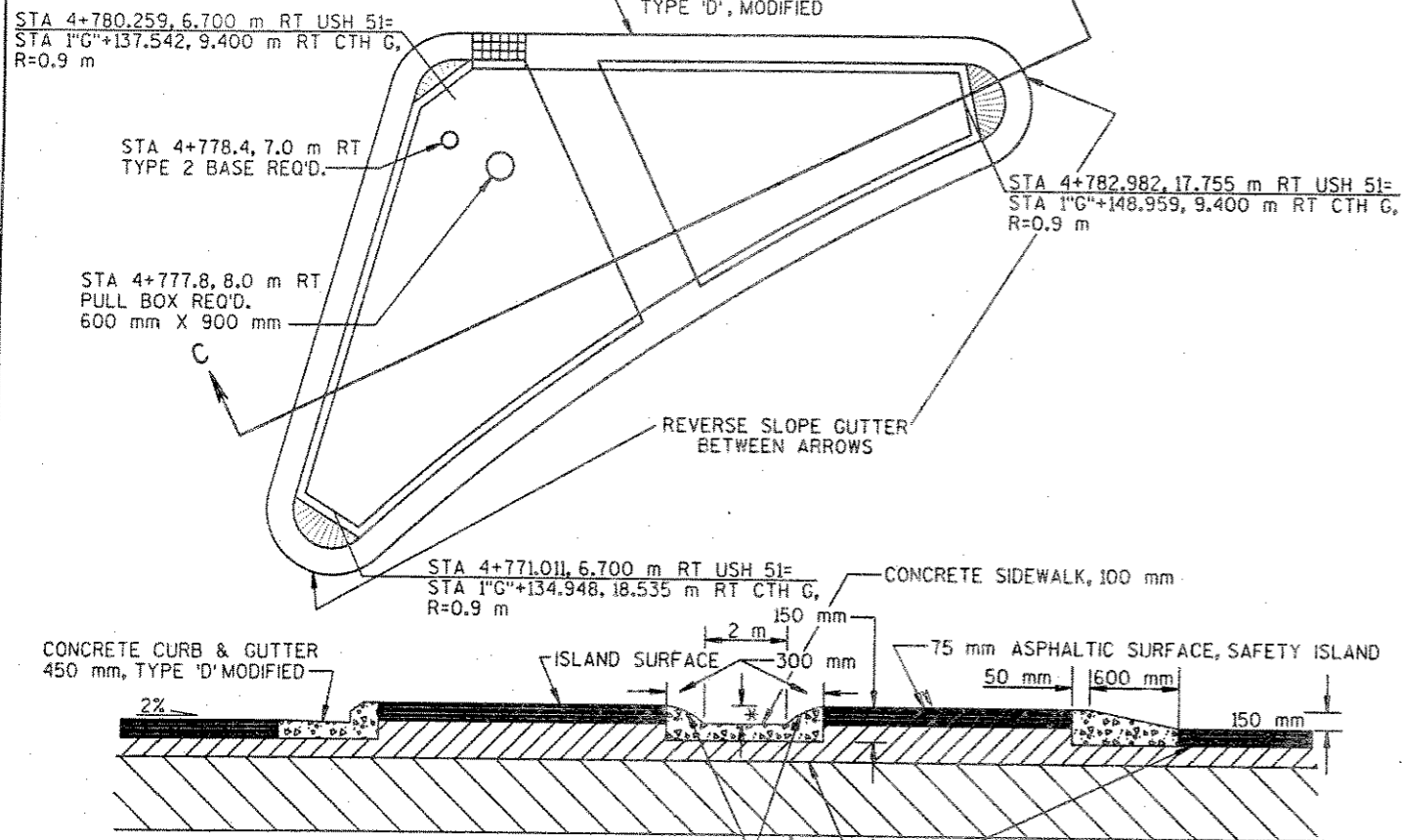


SECTION A-A



SECTION B-B

CONCRETE SAFETY ISLAND



SECTION C-C
ISLAND DETAIL

* SLOPE TO DRAIN
75 mm AT CL AND 150 mm
AT EDGES OF WALKWAY

140 mm ASPHALTIC CONCRETE PAVEMENT, TYPE HV
150 mm SALVAGED CRUSHED PAVEMENT BASE COURSE
300 mm CRUSHED AGGREGATE BASE COURSE

LEVELS ON - 1, 2, 3, 4, 5, 6, 7, 8, 9, 10, 11, 12, 13, 14, 15, 16, 17, 18, 19, 20, 21, 22, 23, 24, 25, 26, 27, 28, 29, 30, 31, 32, 33, 34, 35, 36, 37, 38, 39, 40, 41, 42, 43, 44, 45, 46, 47, 48, 49, 50, 51, 52, 53, 54, 55, 56, 57, 58, 59, 60, 61, 62, 63