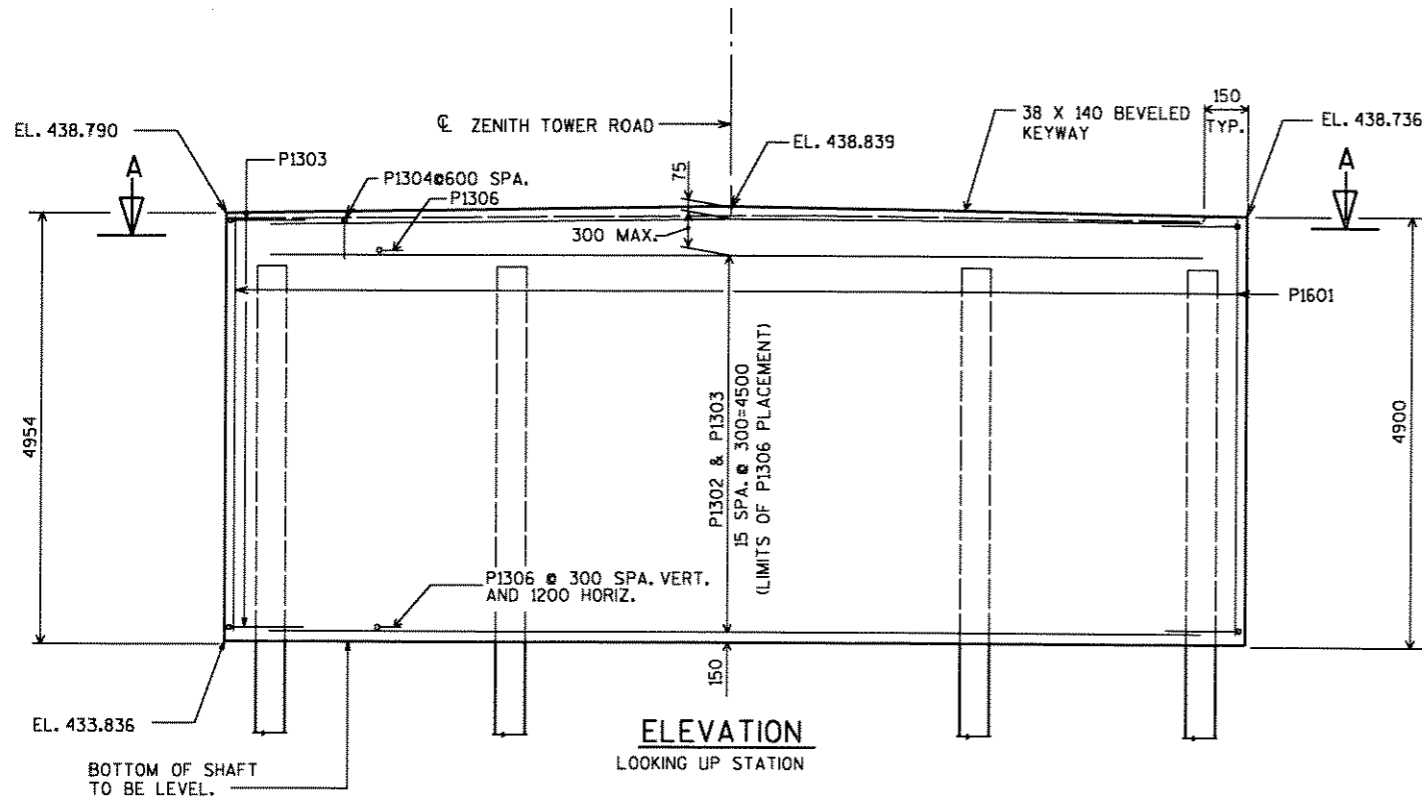


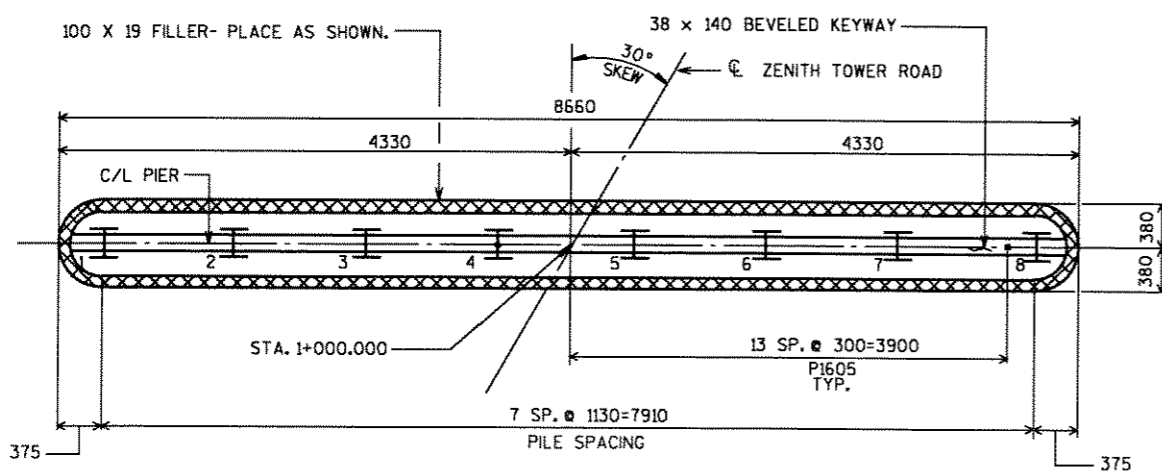
BILL OF BARS

NOTE: THE FIRST TWO DIGITS OF THE BAR MARK SIGNIFIES THE BAR SIZE. DIMENSIONS IN BENDING DETAILS ARE OUT TO OUT OF BAR.

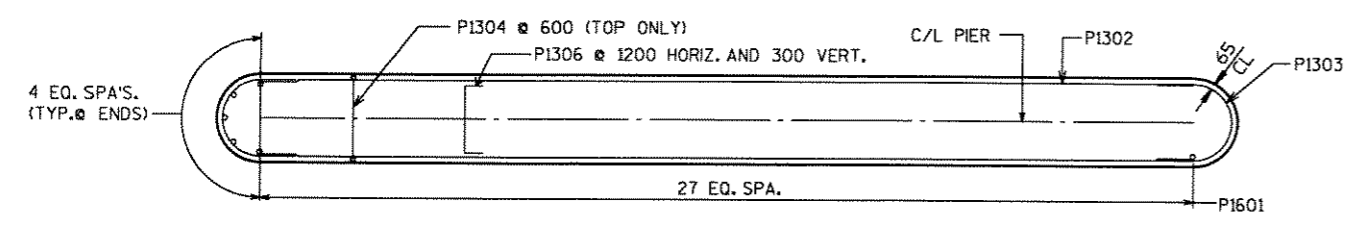
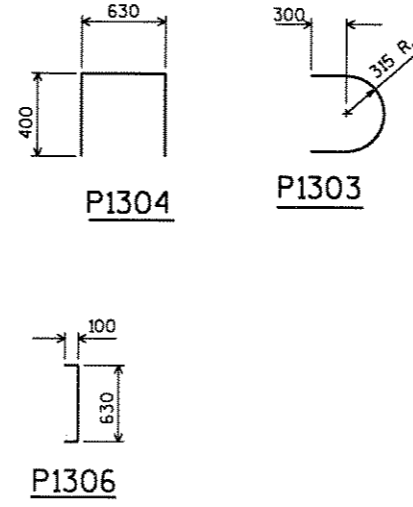
BAR MARK	COAT	NO. REQ'D	LENGTH	BENT	LOCATION
P1601		62	4675		VERTICAL
P1302		34	7900		HORIZONTAL
P1303		34	1590	X	HORIZONTAL
P1304		14	1370	X	HOOKS - TOP
P1605		27	600		DOWELS - VERTICAL
P1306		112	770	X	TIE BARS



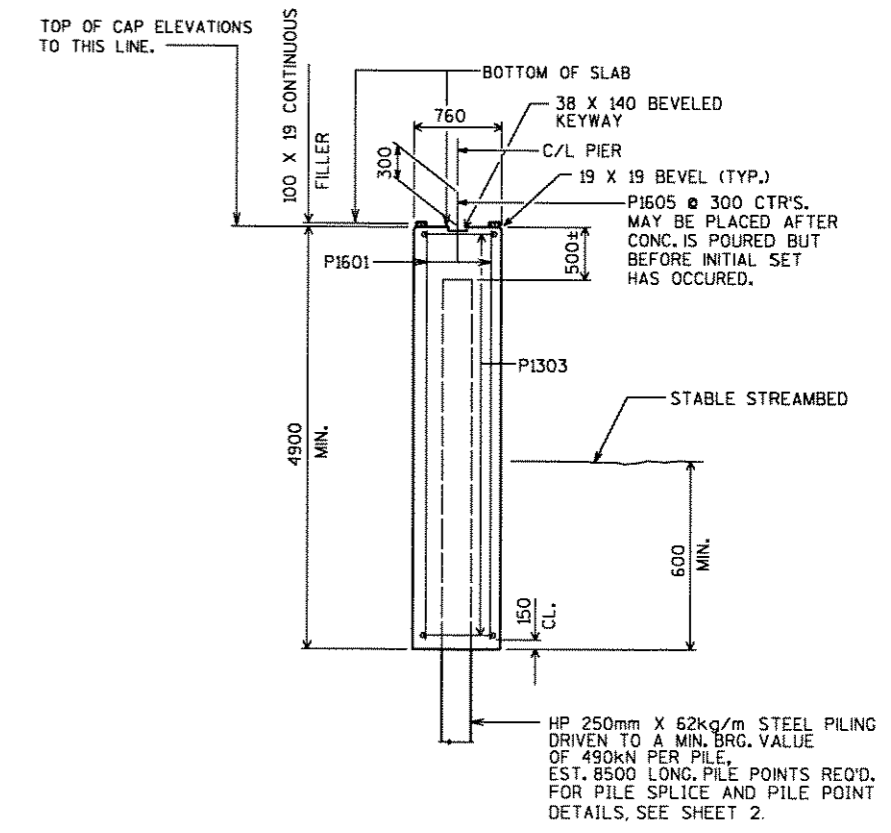
ELEVATION
LOOKING UP STATION



PLAN



SECTION A



END VIEW

NO.	DATE	REVISION	BY
STATE OF WISCONSIN DEPARTMENT OF TRANSPORTATION			
STRUCTURE B-35-137			
CONST. SPEC.	1996	DRAWN BY NJA	PLANS CK'D. CJB
PIER			SHEET 8 OF 10