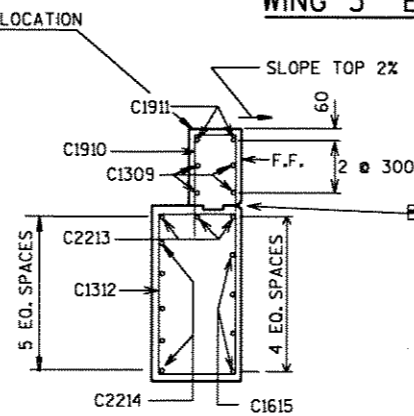
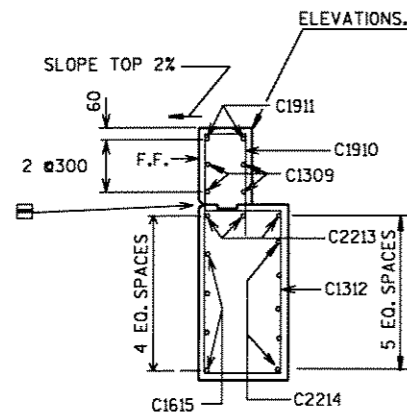


WING 4 ELEVATION

WING 3 ELEVATION



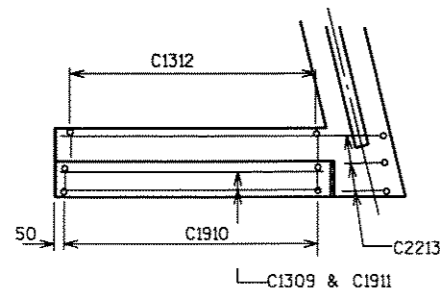
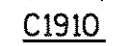
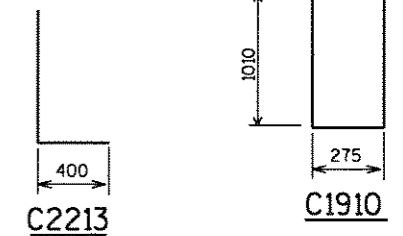
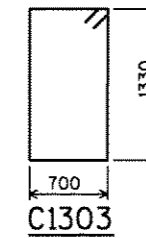
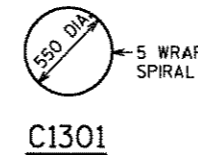
WING 4 SECTION

WING 3 SECTION

SEE SHEET 10 FOR RAIL POST ANCHORS.

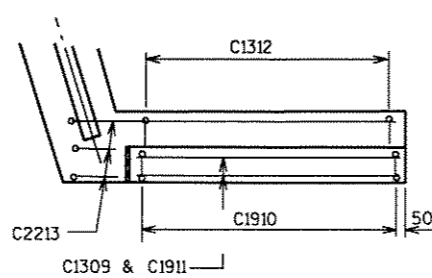
SEE SHEET 10 FOR RAIL POST ANCHORS.

OPT. CONST. JOINT- FORMED BY SURFACED, BEVELED 38 x 140 KEYWAY 20 'V' GROOVE ON F.F. OF WINGWALL IF JOINT IS USED.



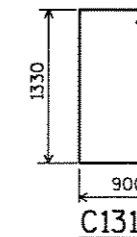
WING 4 PLAN

SPACE C1910 TO MISS ANCHORS FOR RAIL POSTS.



WING 3 PLAN

SPACE C1910 TO MISS ANCHORS FOR RAIL POSTS.



BILL OF BARS

NOTE: BAR DIMENSIONS ARE OUT TO OUT OF BAR. THE FIRST TWO DIGITS OF A BAR MARK SIGNIFIES THE BAR SIZE.

BAR MARK	NO. REQ'D	LENGTH	BENT	COAT	CUT. DIAG.	LOCATION
C1301	5	8600	X			BODY - ONE PER PILE
C1302	10	700				BODY - TWO PER PILE
C1303	38	4160	X			BODY - STIRRUPS
C1904	11	8900				BODY - HORIZ.
C1605	30	600				BODY - VERT.- DOWELS
C2506	7	8900				BODY - HORIZ.
C1309	8	2400				WING 3 & 4 - TOP HORIZ.
C1910	18	2200	X	X		WING 3 & 4 - TOP VERT.
C1911	4	2400		X		WING 3 & 4 - TOP HORIZ.
C1312	14	4550	X			WING 3 & 4 - BASE VERT.
C2213	6	3300	X			WING 3 & 4 BASE TOP HORIZ.
C2214	10	2950				WING 3 & 4 - BASE HORIZ.
C1615	8	3100				WING 3 & 4 - BASE HORIZ.

NO.	DATE	REVISION	BY
STATE OF WISCONSIN DEPARTMENT OF TRANSPORTATION			
STRUCTURE B-35-137			
CONST. SPEC.	1996	DRAWN BY NJA	PLANS CK'D. CJB
NORTH ABUTMENT			SHEET 7 OF 10