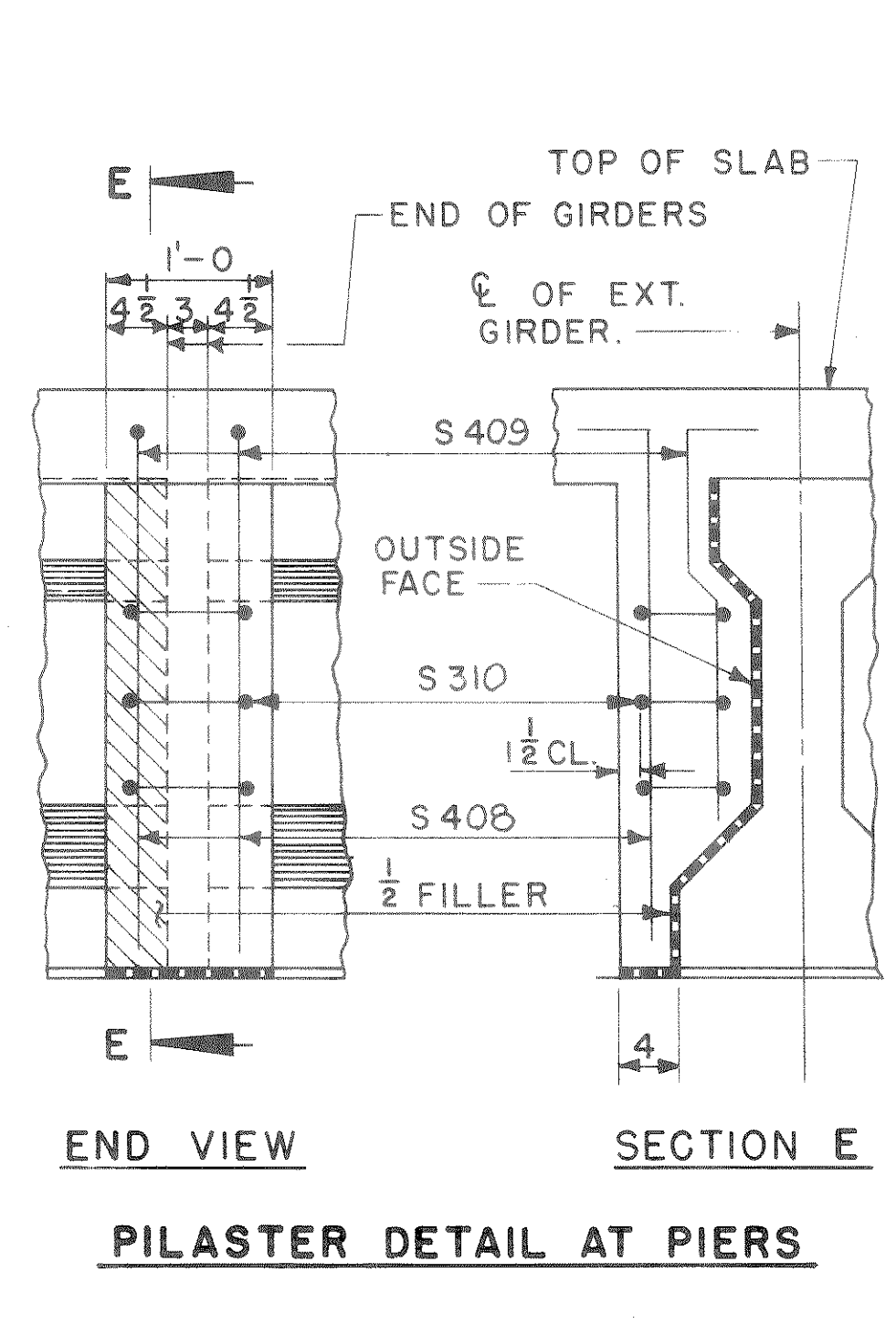
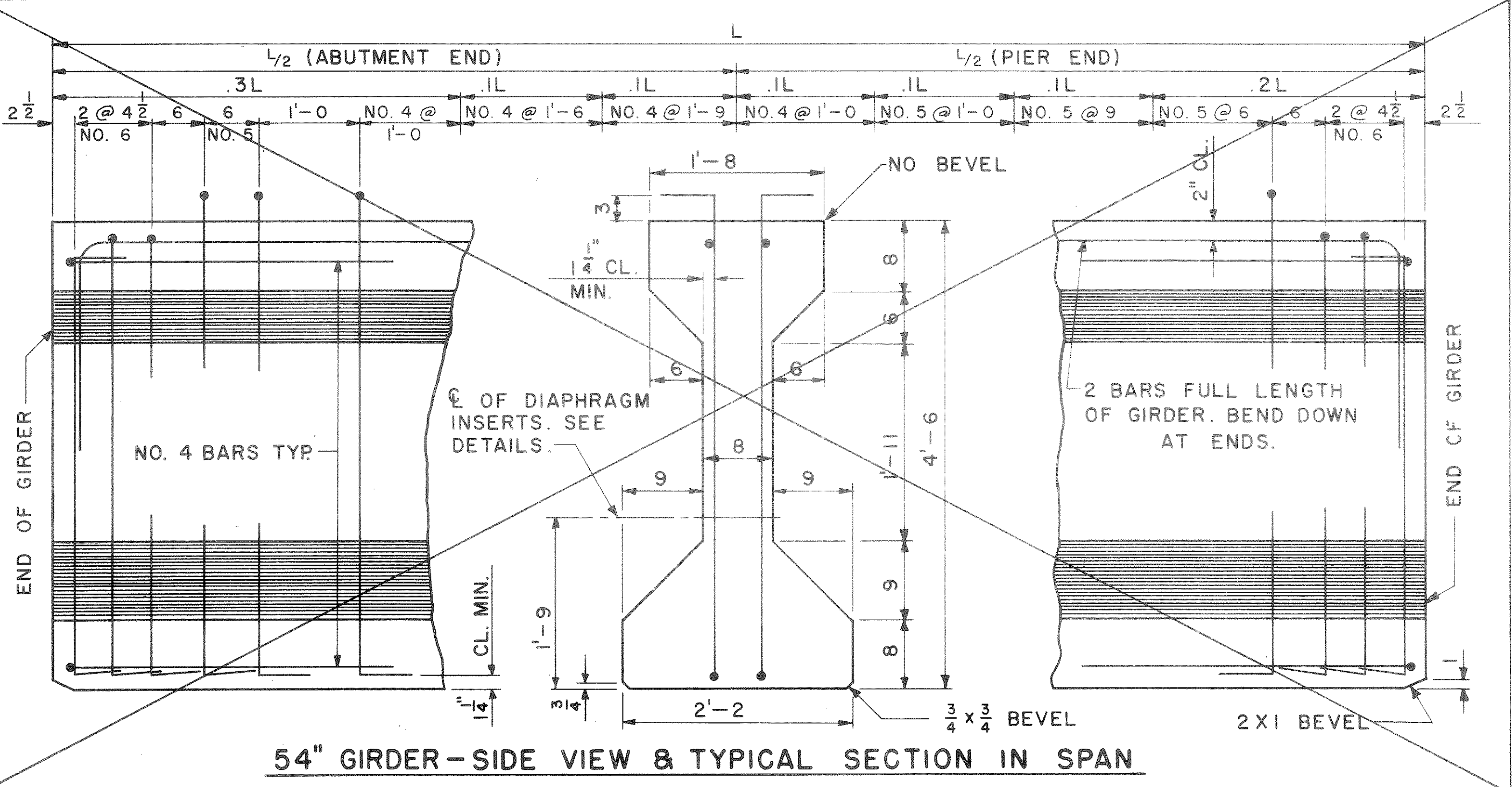
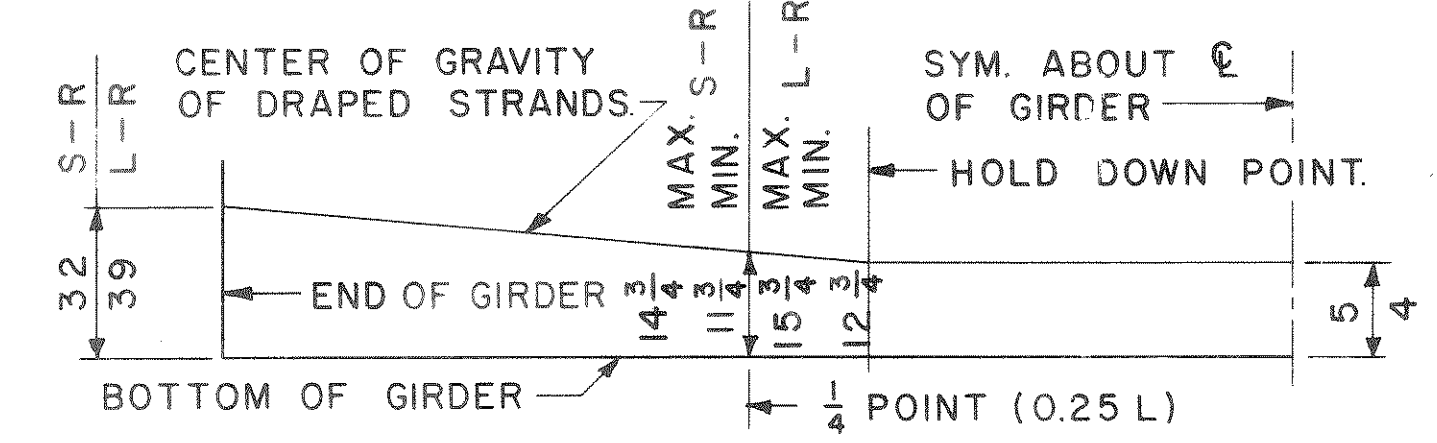
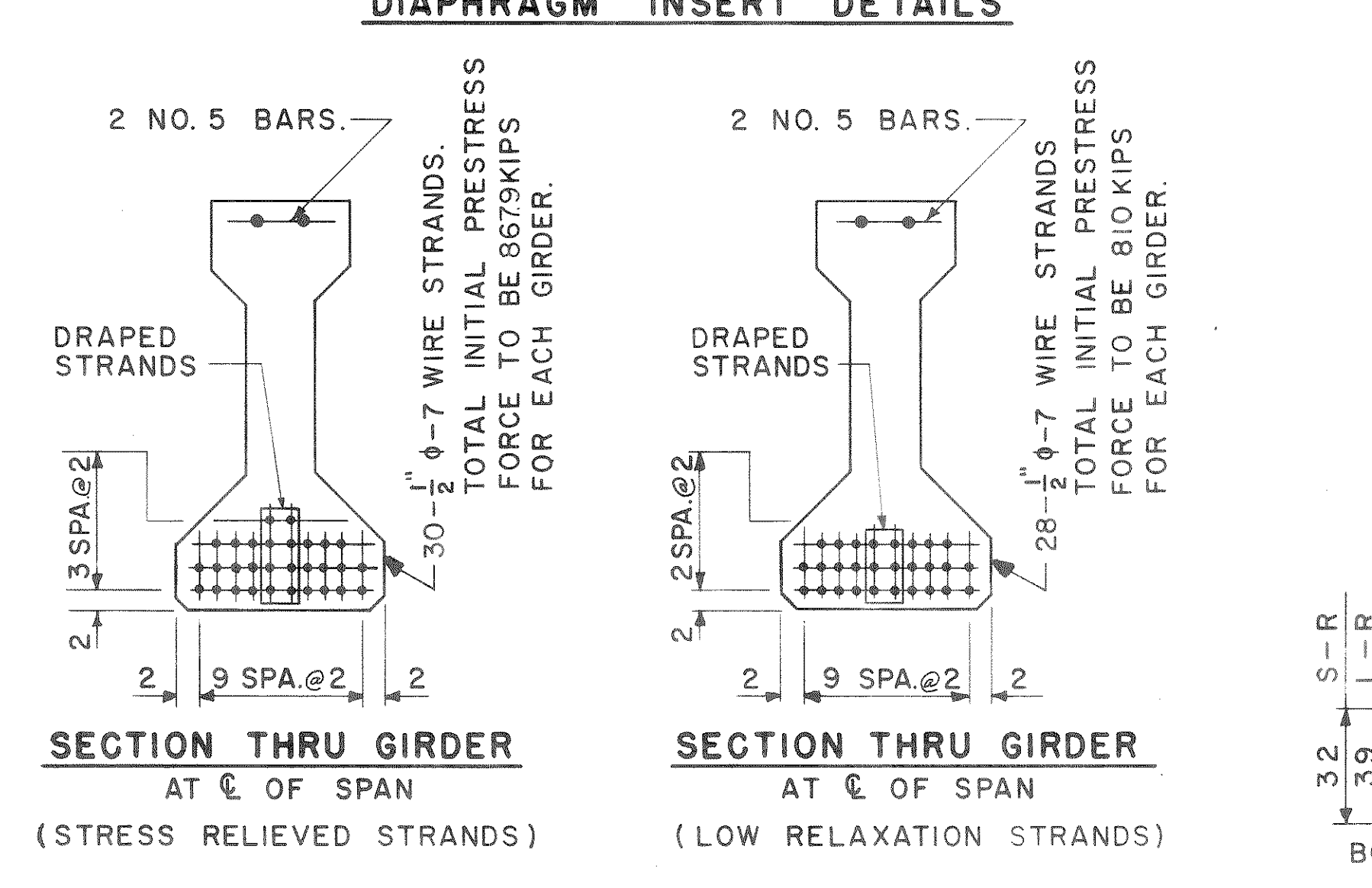
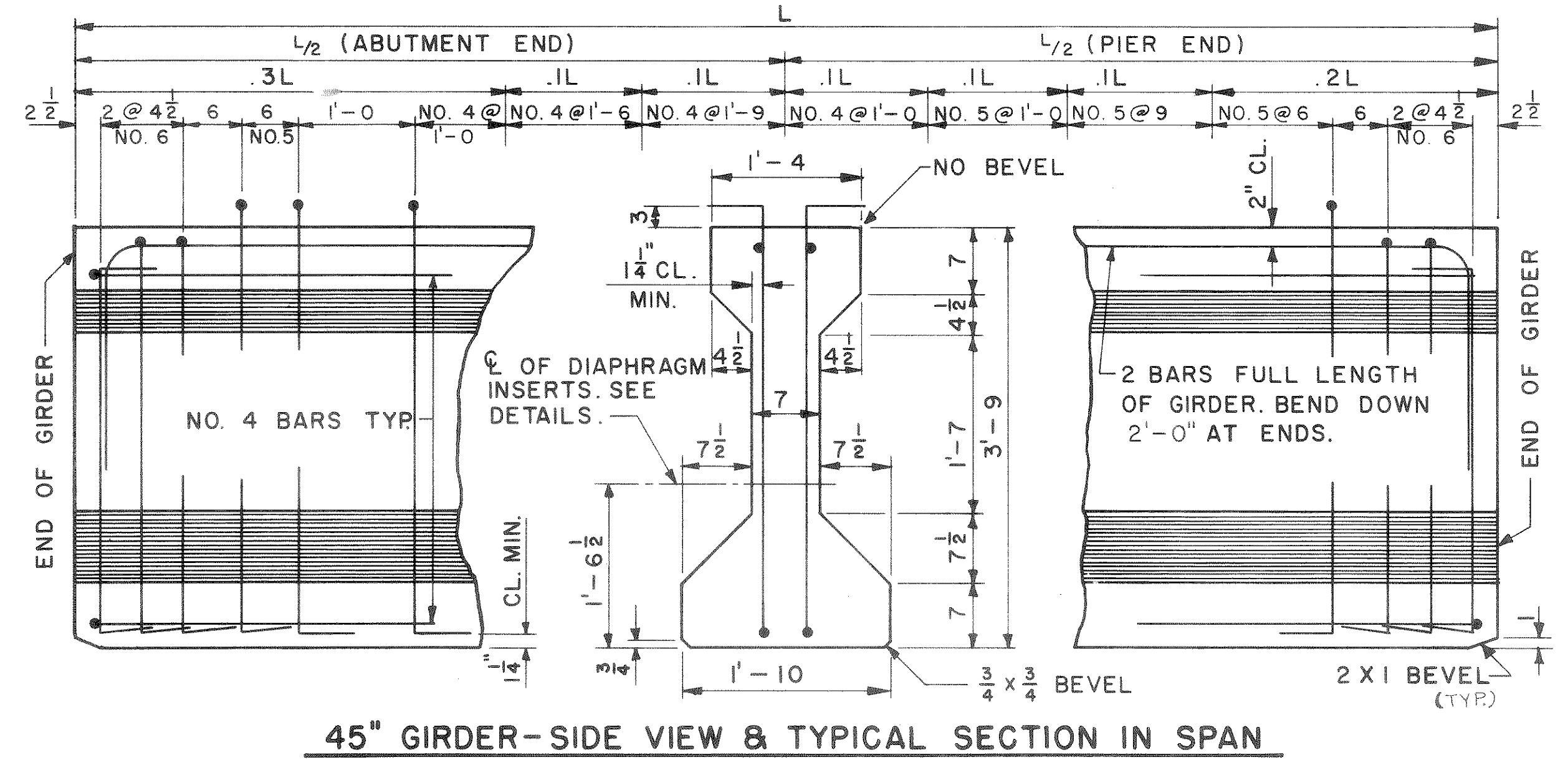
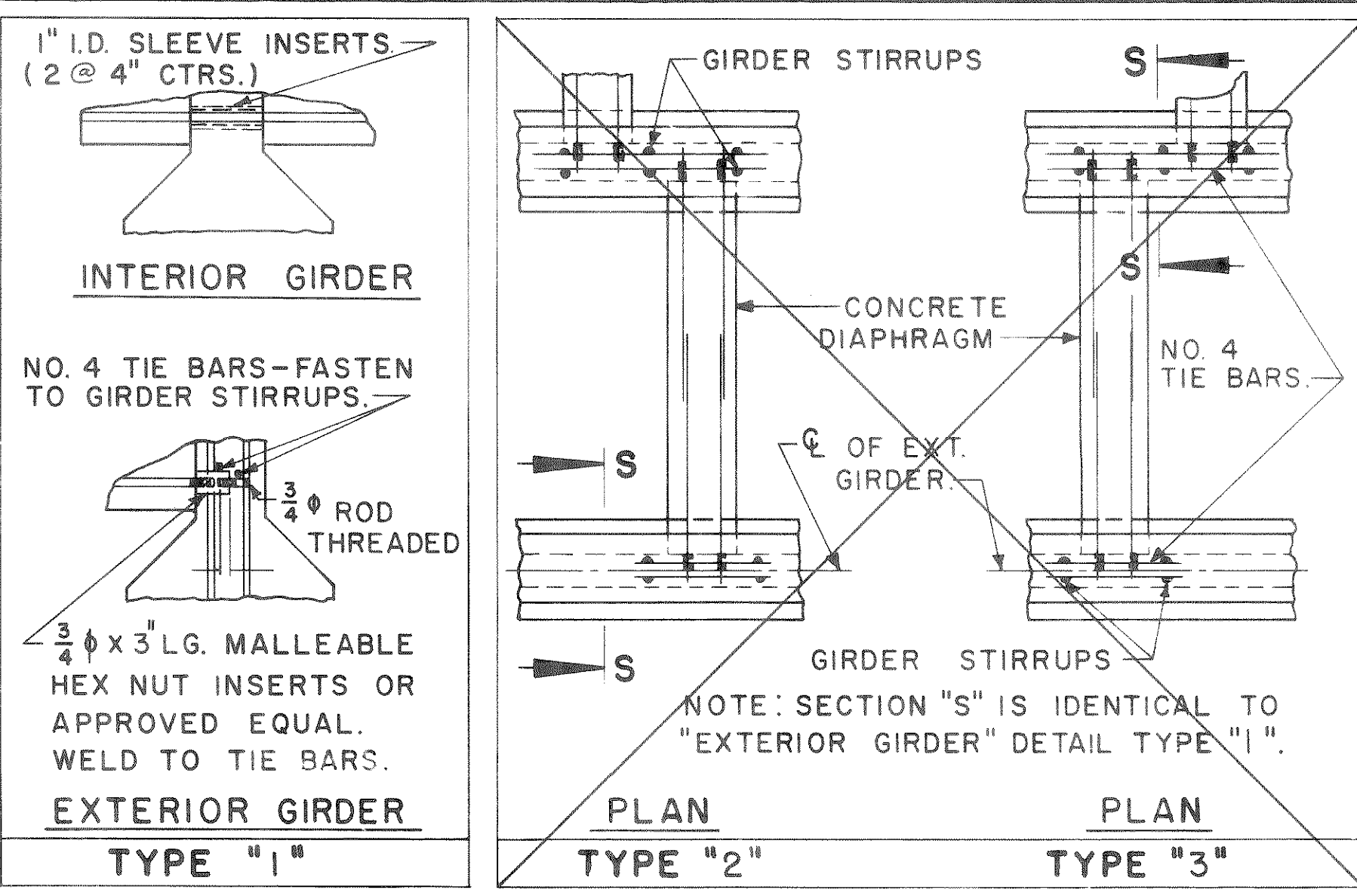
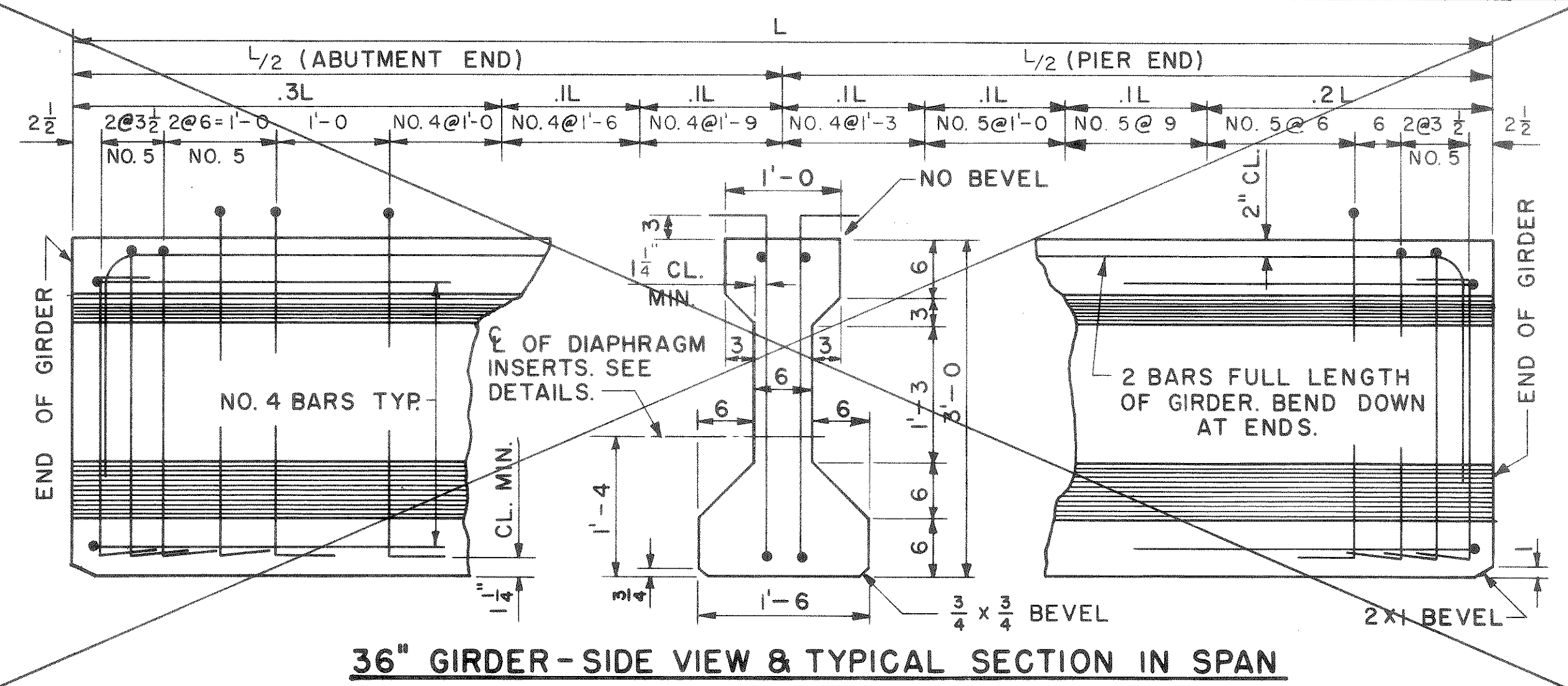
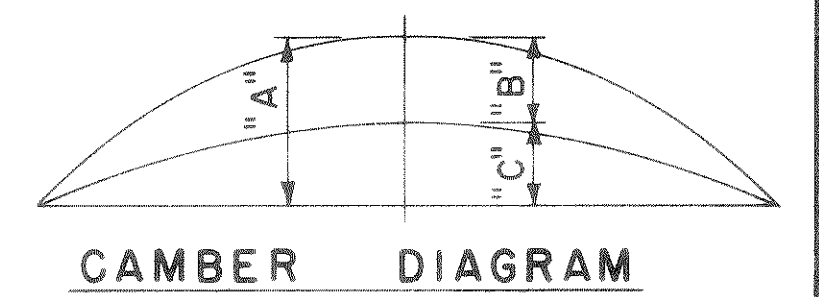


**NOTES**

TOP OF GIRDER TO BE ROUGH FLOATED AND BROOMED TRANSVERSELY FOR BONDING TO SLAB.  
 GIRDER MANUFACTURER SHALL PROVIDE A SUITABLE LIFTING DEVICE FOR HANDLING AND ERECTING GIRDERS.  
 ALL GIRDERS SHALL BE CAST FULL LENGTH AS SHOWN.  
 PRESTRESSING STRANDS SHALL HAVE AN ULTIMATE STRENGTH OF 270,000 P.S.I. AND SHALL BE FLUSH WITH ENDS OF GIRDER.  
 INSERTS SHALL BE PLACED ON 4-INCH CENTERS SYMMETRICALLY ABOUT CENTERLINE OF DIAPHRAGMS IN SPANS.  
 ALL STIRRUPS SHALL BE IN PAIRS AND SPACING SHOWN IN "SIDE VIEW" IS MAXIMUM. LOCATION SHALL BE SHOWN IN SHOP DRAWING.  
 BEND EACH END OF NO. 4 AND NO. 5 STIRRUPS 6 INCHES AND NO. 6 STIRRUPS 6 1/2 INCHES.  
 ENDS OF STRANDS SHALL BE PAINTED WITH NON-STAINING GRAY NON-BITUMINOUS JOINT SEALER. ( THIS APPLIES ONLY TO THOSE ENDS OF GIRDERS THAT ARE FINALLY EXPOSED.)  
 TOP LONGITUDINAL BARS IN GIRDER MAY BE SPLICED BY USING 35 BAR DIAMETER LAPS. PLACE ONE LAP AT CENTERLINE OF GIRDER IF LENGTH IS LESS THAN 70'-0". PLACE LAPS AT THIRD POINTS OF GIRDER IF LENGTH IS MORE THAN OR EQUAL TO 70'-0".  
 ALL NON-PRESTRESSED BAR STEEL REINFORCEMENT SHALL BE GRADE 60.



GIRDER DATA			
GIRDER SIZE REQUIRED 45"			
GIRDER LENGTH "L" REQUIRED	S-R	L-R	
	76'-9"	76'-9"	
f'ci (psi)*	DRAPED PATTERN	4800	4800
	RAISED PATTERN		
DEFLECTION DATA**	PRESTRESS CAMBER "A"	1 7/8	1 3/4
	DEAD LOAD DEFLECTION "B"	1	1
	RESIDUAL CAMBER "C"	7/8	4/4
USE DIAPHRAGM INSERT DETAIL TYPE "1"			



\* MINIMUM CYLINDER STRENGTH OF CONCRETE AT TIME OF TRANSFER OF PRESTRESS FORCE.  
 \*\* DATA SHOWN IS THEORETICAL AND MAY VARY WITH CONCRETE STRENGTH, VARIABLE PRESTRESS CONDITIONS AND PRESTRESS LOSSES.  
 S-R = STRESS RELIEVED  
 L-R = LOW RELAXATION

MEAD AND HUNT, INC.  
 CONSULTING ENGINEERS  
 MADISON, WISCONSIN

NO.	DATE	REVISION	BY

STATE OF WISCONSIN  
 DEPARTMENT OF TRANSPORTATION  
 DIVISION OF HIGHWAYS

STRUCTURE B-35-78

CONT SPEC	1975	DRAWN BY	D.A.B.	PLANS CHECKED	R.I.S.
-----------	------	----------	--------	---------------	--------

**PRESTRESSED GIRDER DETAILS**

SHEET 5 OF 8  
 X 60129