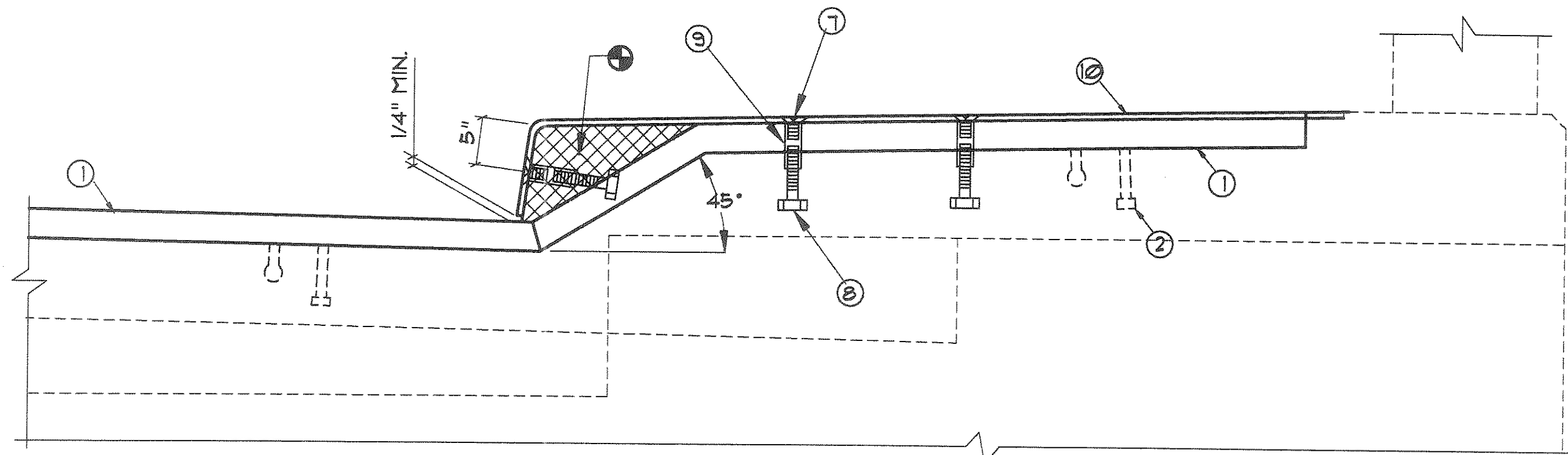


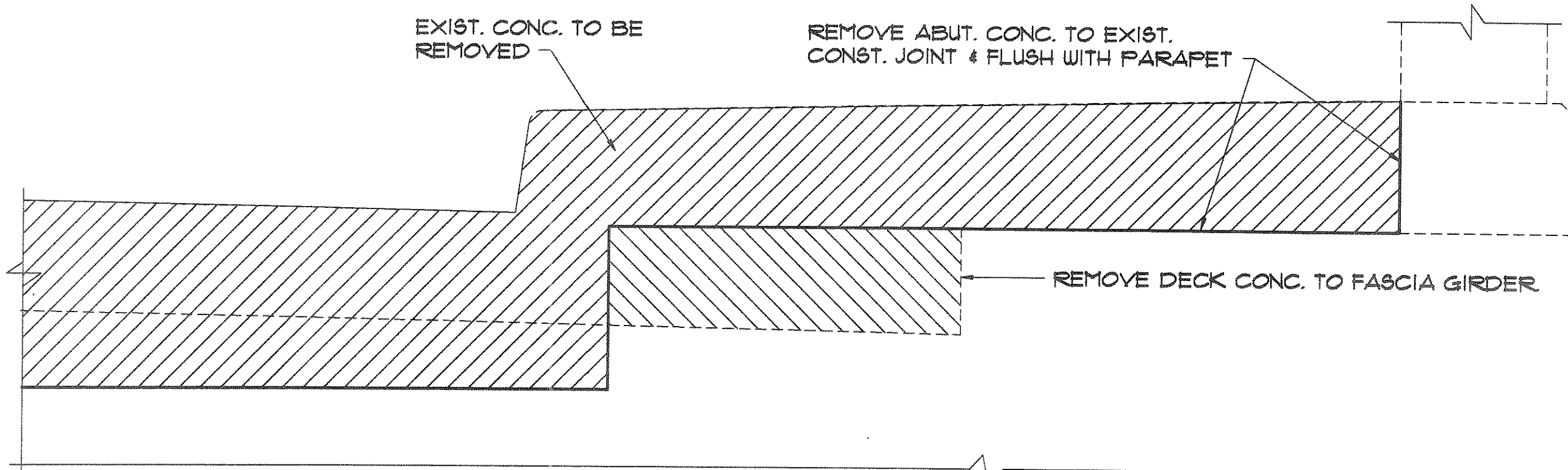
PLAN AT SIDEWALK

(N.E. CORNER SHOWN)

⊕ BLOCK OUT CONCRETE 2" EACH SIDE FOR JOINT OPENING.

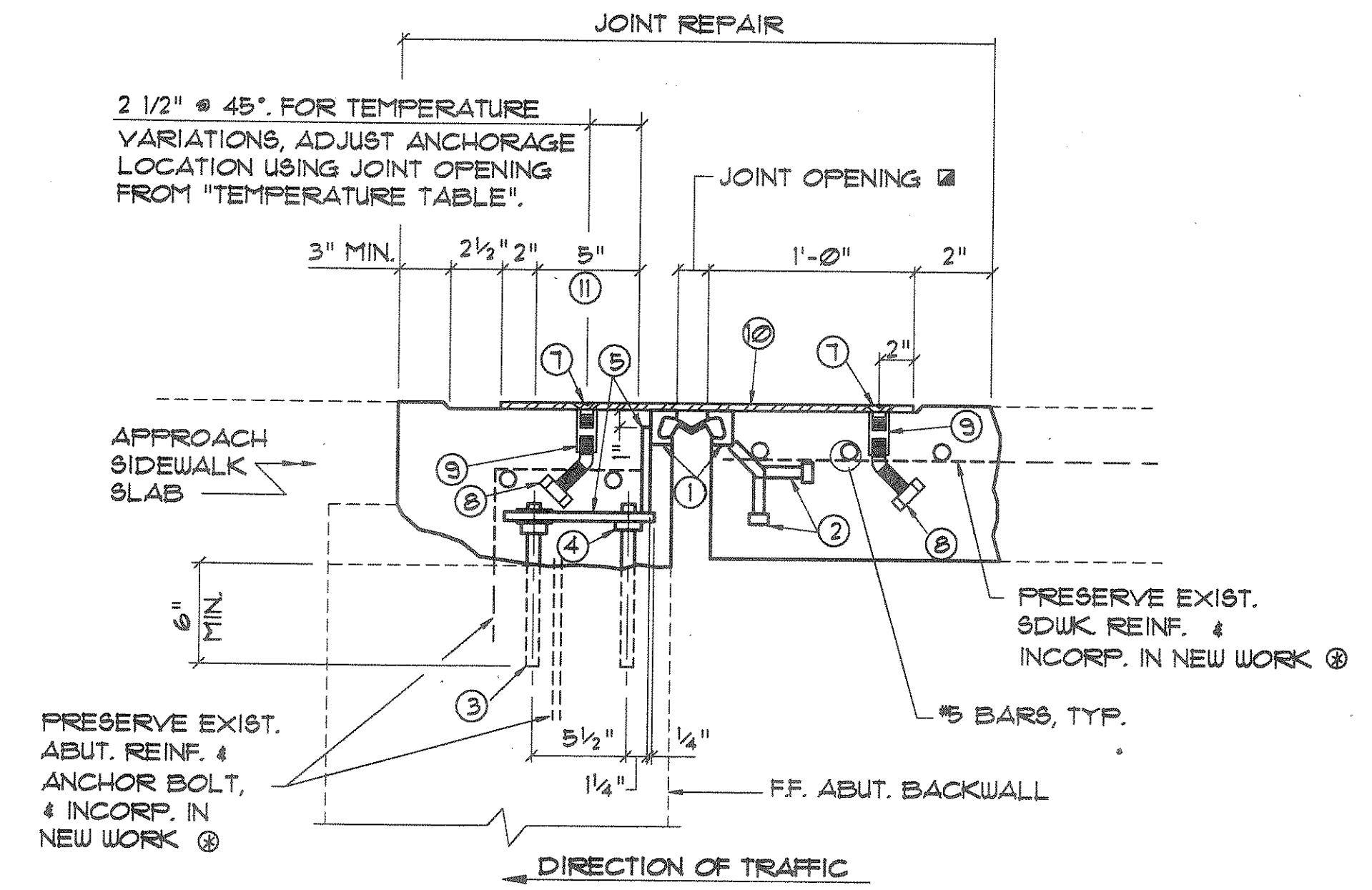


SECTION AT SIDEWALK



SECTION AT SIDEWALK

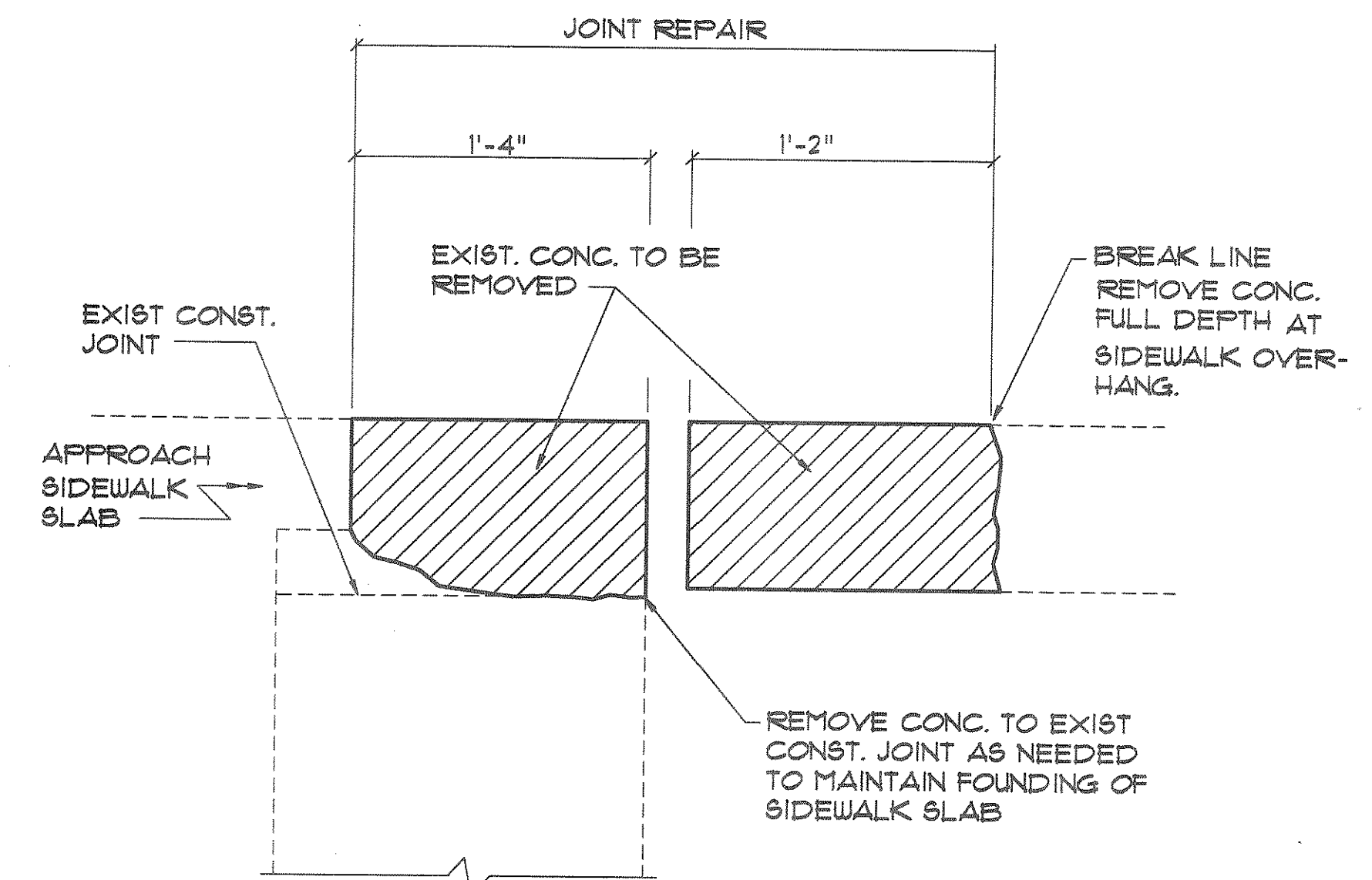
(JOINT REMOVAL)



SECTION A-A
SECTION THRU PROPOSED JOINT

(AT SIDEWALK)

⊗ IF EXISTING BARS ARE SEVERELY CORRODED OR DAMAGED DURING CONCRETE REMOVAL, REPLACE WITH "CONCRETE MASONRY ANCHORS, TYPE S, 5/8-INCH", EMBEDDED 1'-0". USE L-SHAPED NO. 5 COATED REBAR.
 ☐ SEE TEMPERATURE TABLE.



JOINT REMOVAL

(AT SIDEWALK)

NO.	DATE	REVISION	BY
STATE OF WISCONSIN DEPARTMENT OF TRANSPORTATION DIVISION OF HIGHWAYS			
STRUCTURE B-35-15			
CONST. SPEC.	1989	DRAWN BY DLF	PLANS CK'D. JAJ
DETAILS			SHEET 3 OF 3