

LINCOLN COUNTY

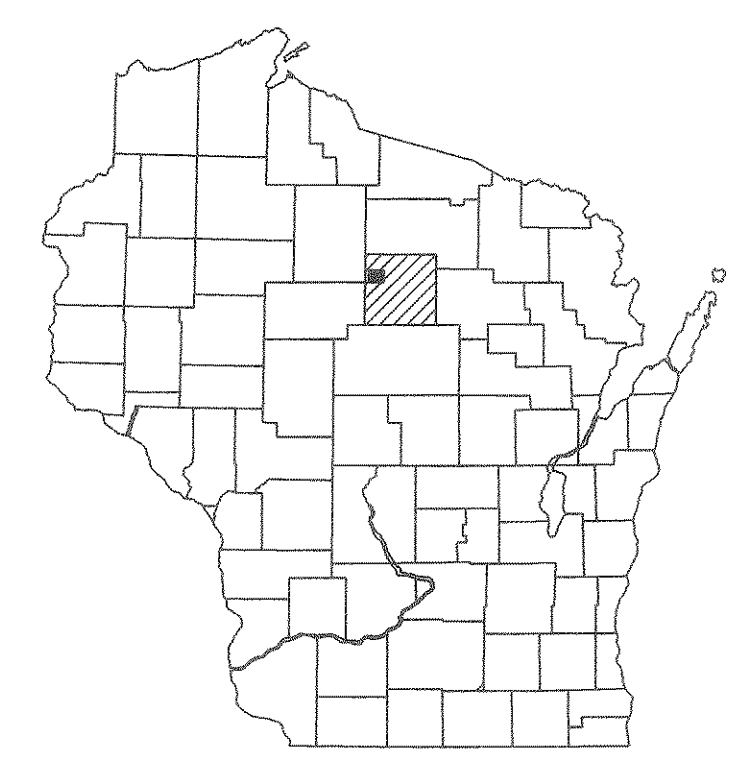
9864-03-70

25D  
3F  
100T

INDEX OF SHEETS

Sheet No.	Title
1	
2+2.3	Typical Sections and Details
3+3.1	Estimate of Quantities
3A	Miscellaneous Quantities
4+4.1	Right of Way Plat
5	Plan and Profile
6-6.4	Standard Detail Drawings
	Sign Plates
8-8.8	Structure Plans
	Computer Earthwork Data
9-9.3	Cross Sections

TOTAL SHEETS = 29



DESIGN DESIGNATION

A.D.T. (1994)	=	40
A.D.T. (2014)	=	60
D.H.V. (2014)	=	11
D.	=	60-40
T. (% ADT)	=	9%
V. (MPH)	=	30
ESALS	=	N/A

CONVENTIONAL SIGNS

COUNTY LINE		COMBUSTIBLE FLUIDS (UNDER PRESSURE)	
CORPORATE LIMITS		UNDERGROUND UTILITIES GAS	
PROPERTY LINE		ELECTRIC	
LOT LINE		TELEPHONE	
LIMITED HIGHWAY EASEMENT		SERVICE PEDESTAL	
EXISTING RIGHT OF WAY		CABLE MARKER	
NEW RIGHT OF WAY		POWER POLE	
REFERENCE LINE		TELEPHONE POLE	
SLOPE INTERCEPT		RAILROADS	
ORIGINAL GROUND		MARSH	
MARSH OR ROCK PROFILE		WOODED AREA	
CULVERT IN PLACE		RIGHT OF WAY MARKER	
CULVERT REQUIRED			
CULVERT REQUIRED (Profile)			

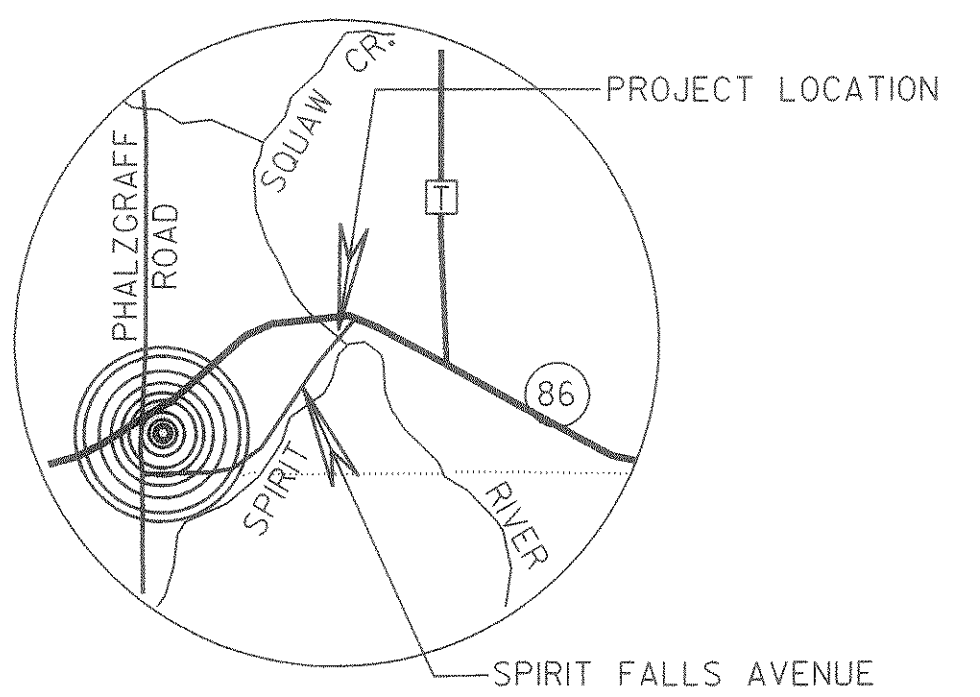
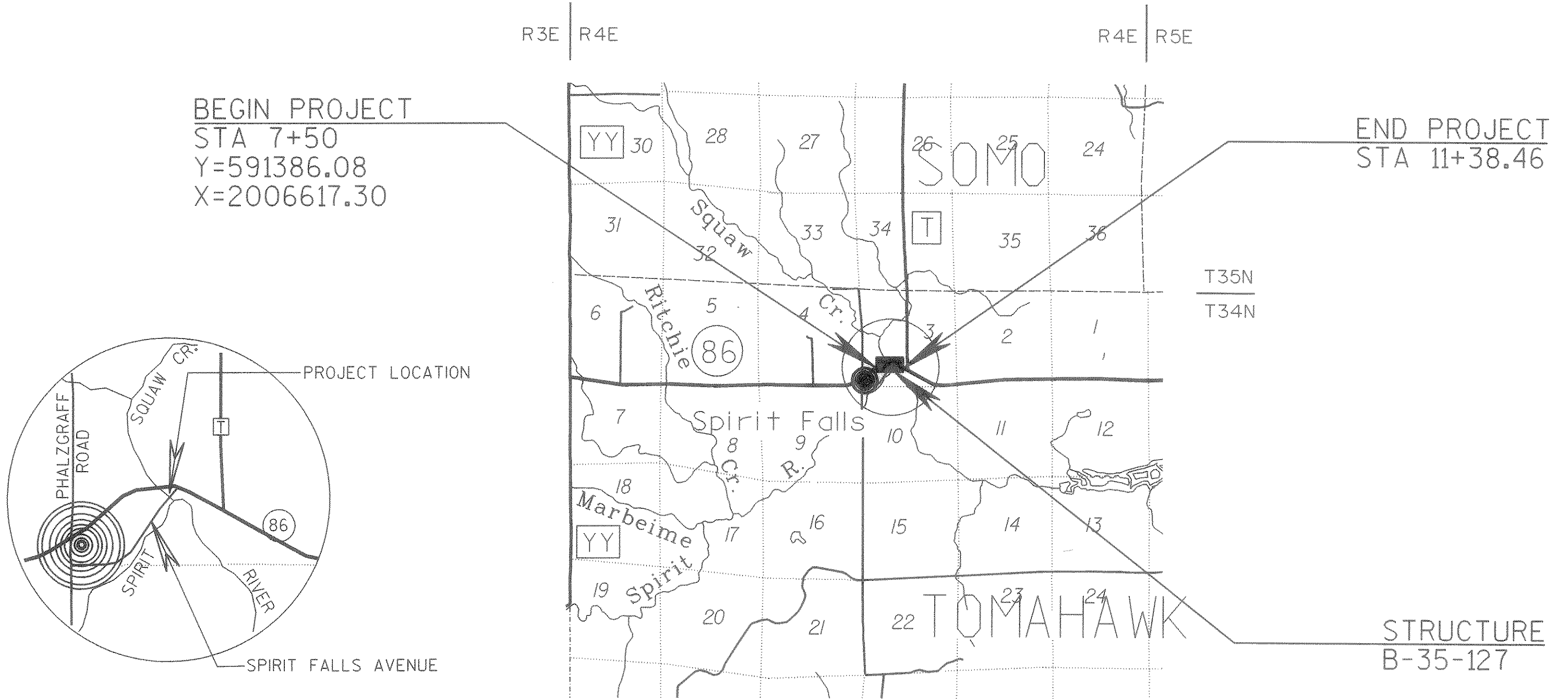
STATE OF WISCONSIN  
DEPARTMENT OF TRANSPORTATION

PLAN OF PROPOSED IMPROVEMENT

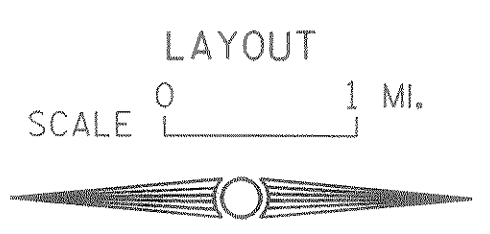
SQUAW CREEK BRIDGE AND APPROACHES  
(SPIRIT FALLS AVENUE)  
TOWN ROAD  
LINCOLN COUNTY

STATE PROJECT NUMBER  
9864-03-70

STATE PROJECT	FEDERAL PROJECT	
	PROJECT	CONTRACT
9864-03-70	BRO 3599(26)	1



PRICE COUNTY  
LINCOLN COUNTY



TOTAL NET LENGTH OF CENTERLINE = 0.074 MI. RURAL

COORDINATES SHOWN ARE REFERENCED TO THE WISCONSIN COORDINATE SYSTEM CENTRAL ZONE.

ORIGIN OF LEVELS

ELEVATIONS SHOWN ON THIS PLAN ARE REFERENCED TO A BENCH MARK, LOCATED ABOUT 0.1 MILE W. OF: 81 FEET SE. OF THE CENTER OF STH 86, 27 FEET N. OF THE CENTER OF AN OILED ROAD, 5 FEET SW. OF A POWERLINE POLE AND 3 FEET SW. OF A WHITE WITNESS POST; SET IN A CONCRETE MONUMENT THAT PROJECTS 6 INCHES; STANDARD NGS AZIMUTH MARK DISK STAMPED "SPIRIT 1952". EL. 1486.937

APPROVED FOR LINCOLN COUNTY  
DATE: 12/10/93  
Signature: *D. A. Kachel*  
COUNTY HIGHWAY COMMISSIONER

ORIGINAL PLANS PREPARED BY  
MEAD & HUNT, INC.  
CONSULTING ENGINEERS  
MADISON, WISCONSIN  
Professional Engineer Seal: RUSSELL A. CHESMORE, E-26272, Madison, WI  
DATE: 12/8/93  
Signature: *Russell A. Chesmore*

STATE OF WISCONSIN  
DEPARTMENT OF TRANSPORTATION  
PREPARED BY  
Surveyor: M & H  
Designer: M & H  
District Examiner: DANIEL T. KUHN  
District Supervisor: ALLAN J. PETERSON  
Proj. Dev. Engineer: E.N. BENISCH  
C.O. Examiner: E.N. BENISCH

APPROVED FOR DISTRICT OFFICE  
DATE: 1/7/94  
Signature: *Henry E. Zandy*