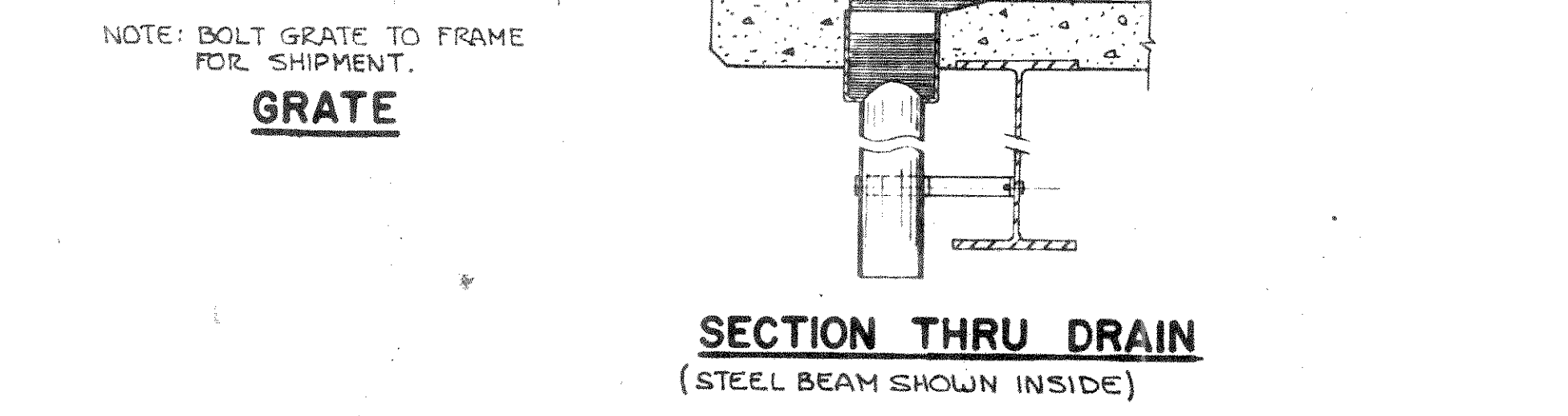
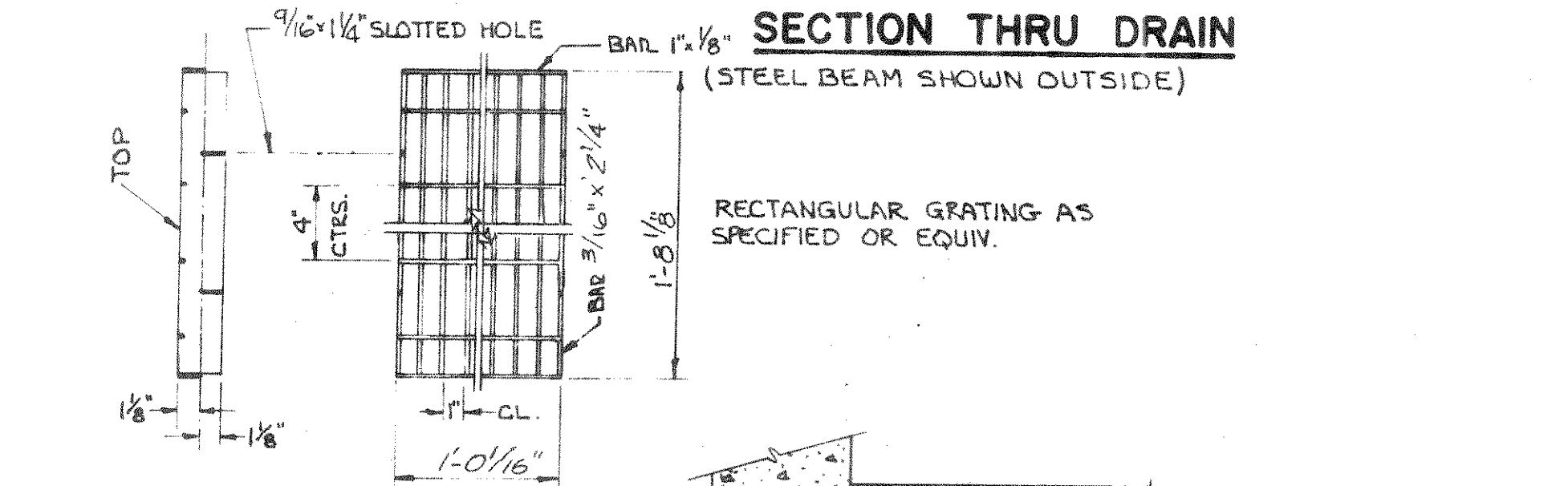
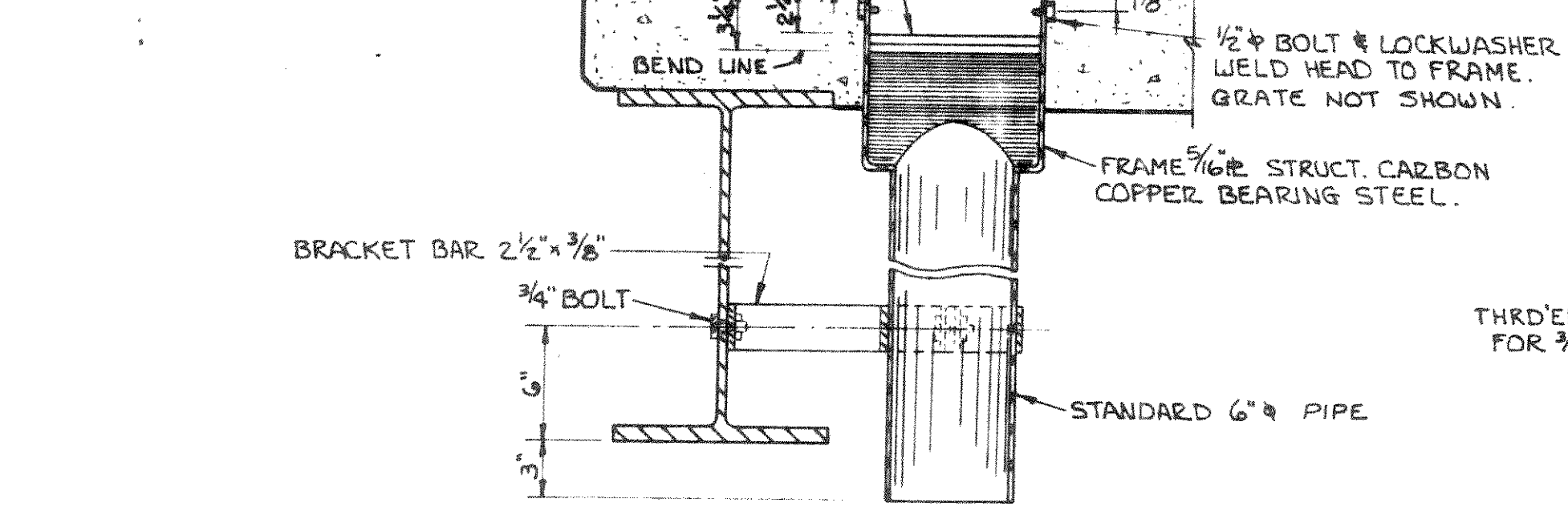
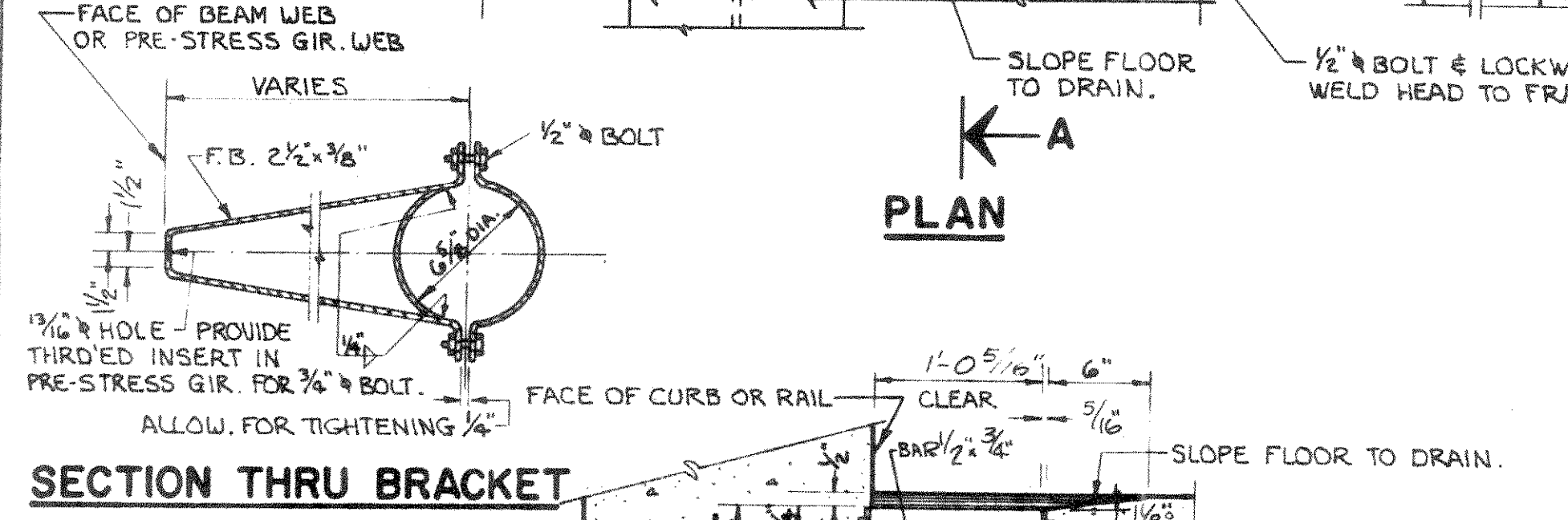
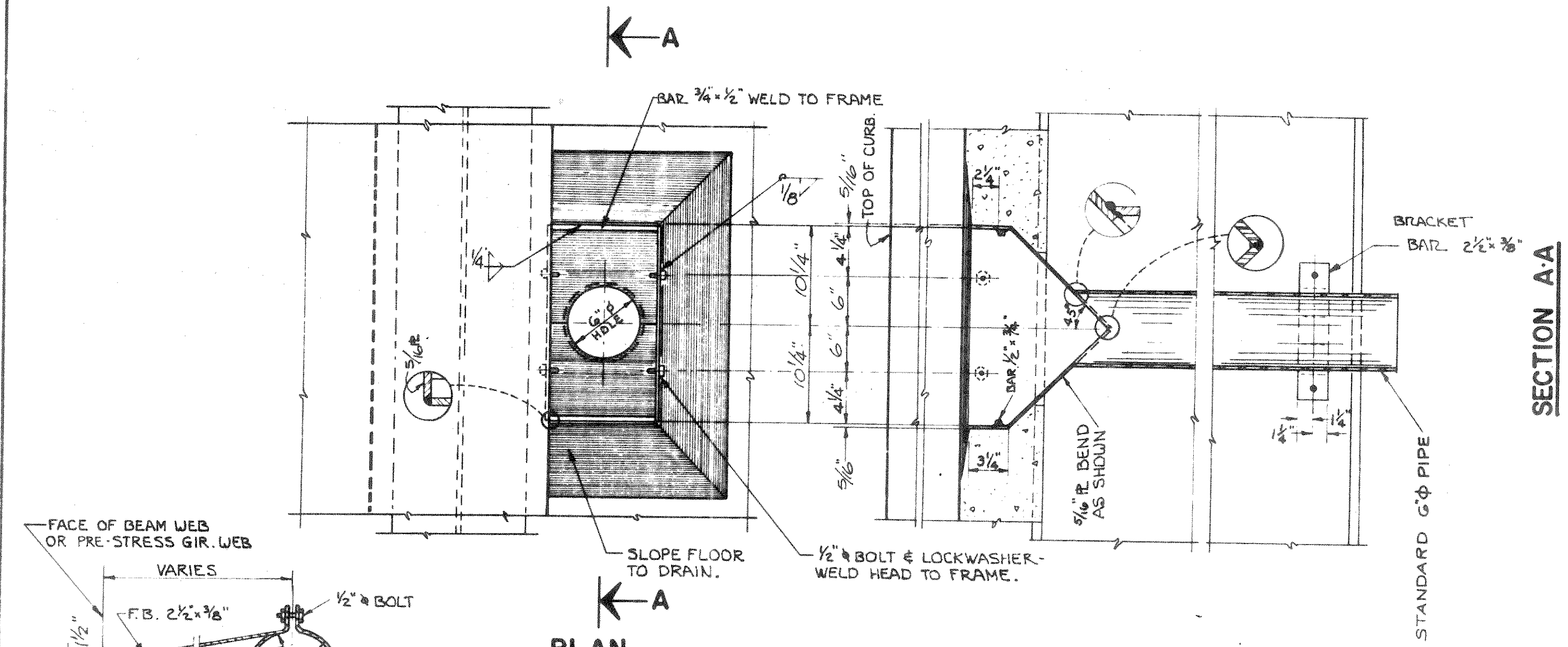
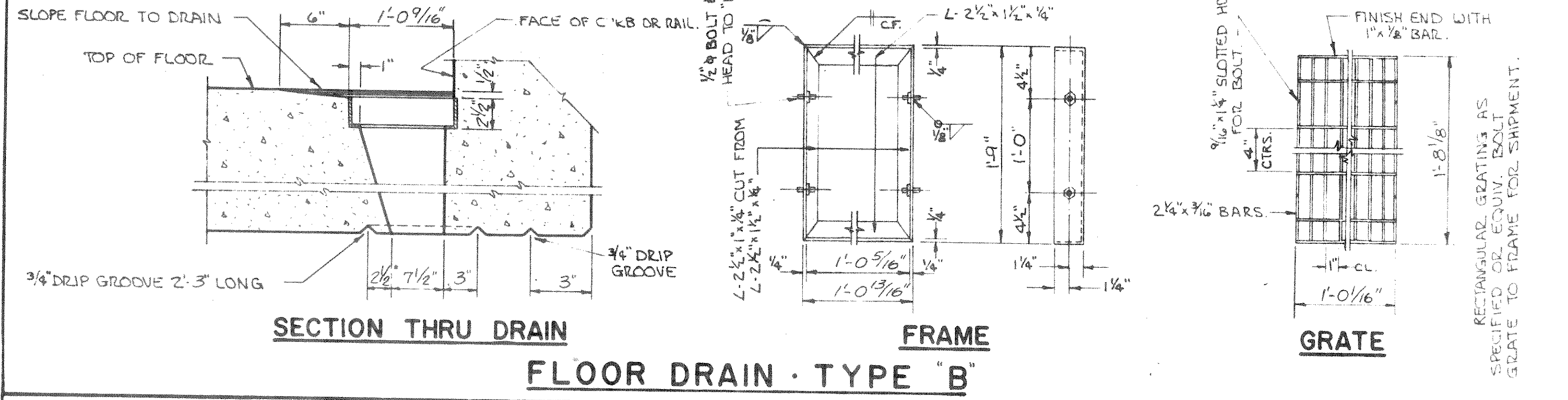


FLOOR DRAIN TYPE	NO. REQ'D
TYPE "A"	4
TYPE "B"	

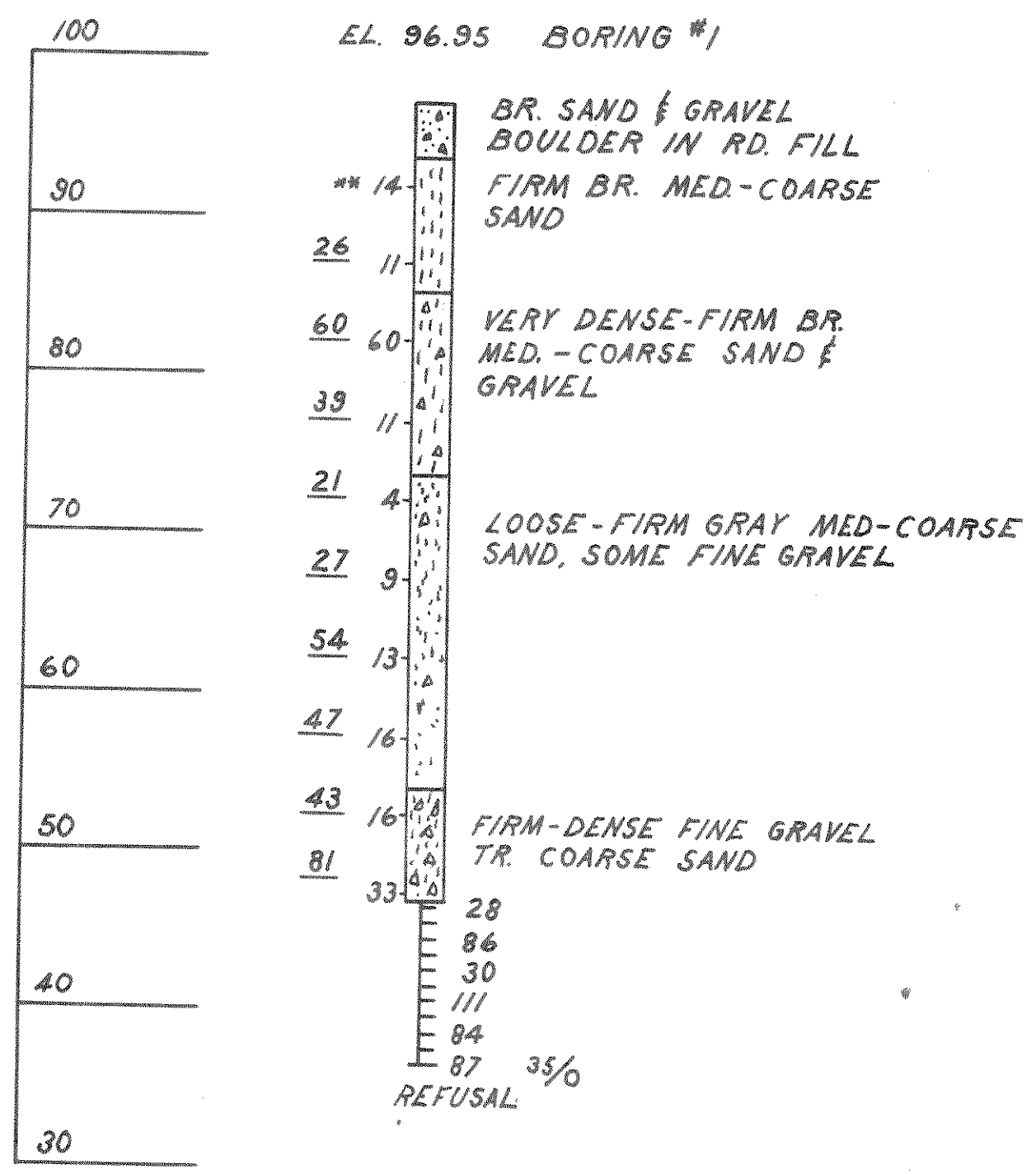
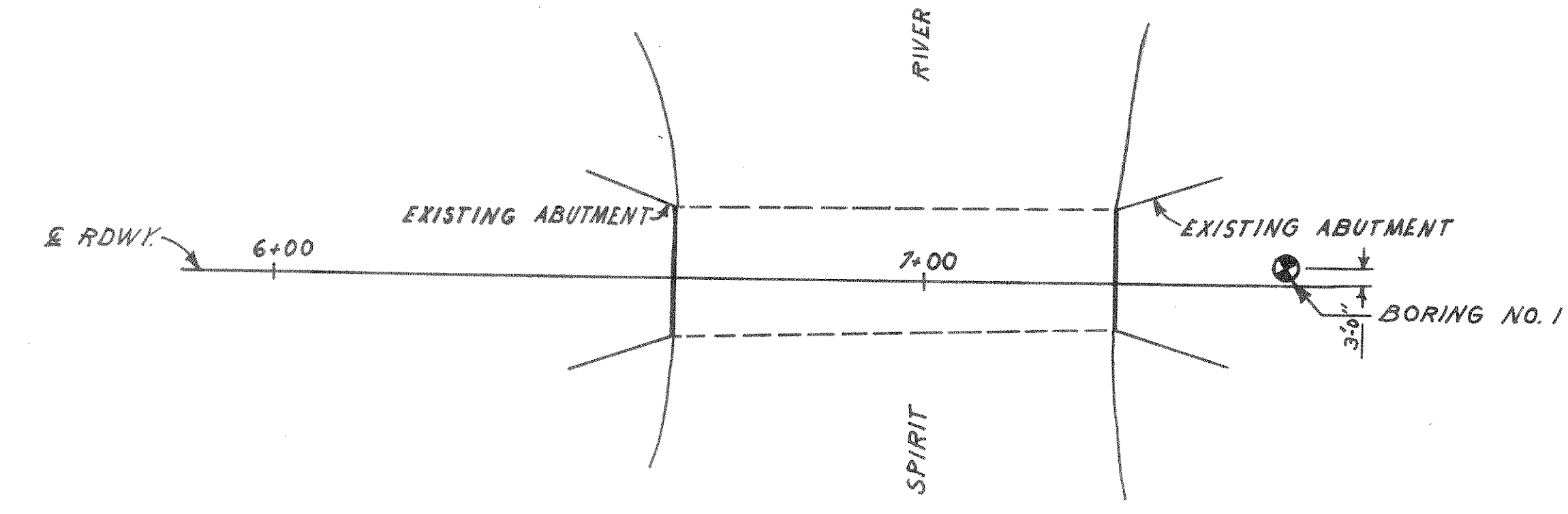
B.P.M. DIVISION	PROJECT	TOTAL SHEETS
4		



FLOOR DRAIN - TYPE "A"



FLOOR DRAIN - TYPE "B"



LEGEND OF BORING OPERATIONS

BLOWS PER FOOT USING 140# WT. WITH A 30" FALL

AVERAGE CASING 7

BLOWS PER FOOT USING 350# WT. WITH A 24" FALL

NO GROUND WATER ABOVE INDICATED ELEV.

LEGEND OF PROBINGS

GROUND ELEVATION

PROBING NUMBER

BLOWS PER FOOT OF PENETRATION

95/6" = 95 BLOWS FOR 6" PENETRATION PROBING TAKEN WITH A 350# WT. AND 18" FALL ON 20" OD POINT

SUBSURFACE EXPLORATION

STATE HIGHWAY COMMISSION OF WISCONSIN	
FLOOR DRAIN DETAILS	
DESIGNED BY	AASHO 1961 H-15
DATE	3-16-62
STANDARD	STD
DRAWN BY	L.J.G.
CHECKED BY	DEF
STRUCTURE	B 35 3
SHEET	5 OF 7