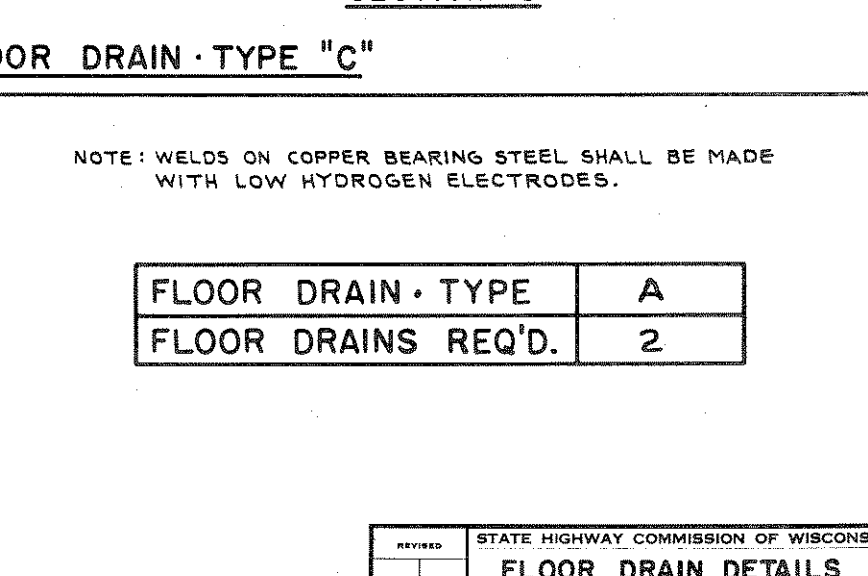
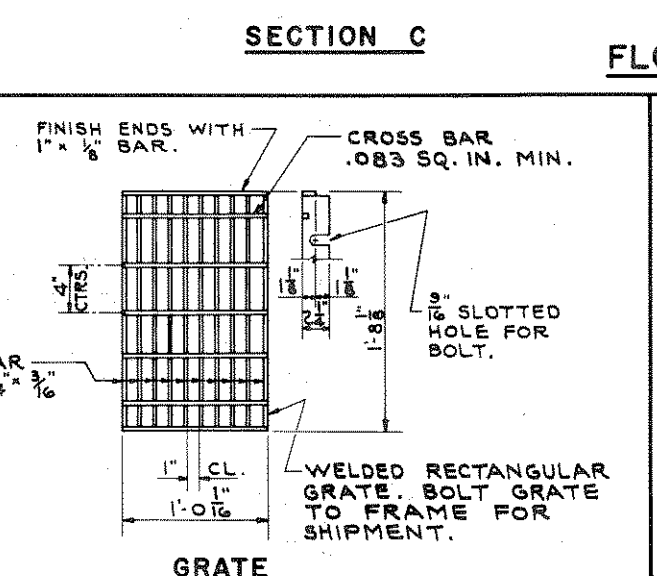
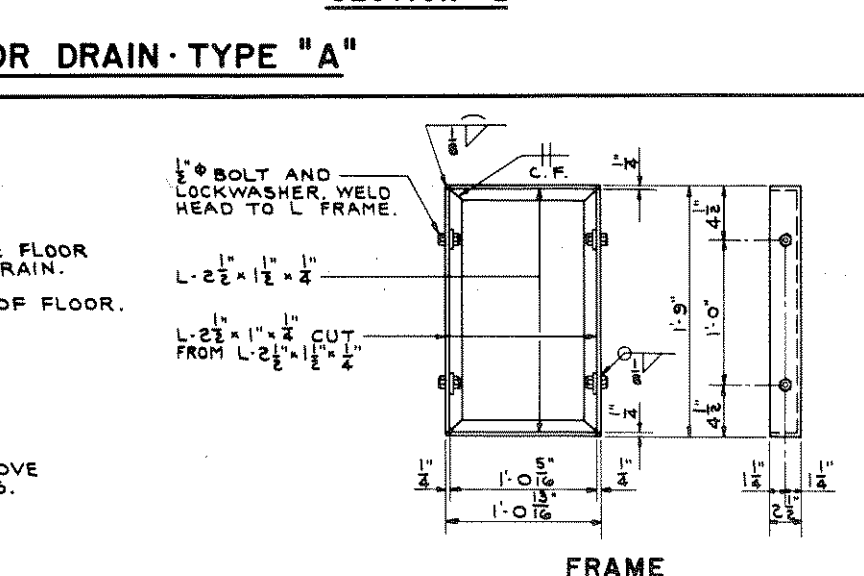
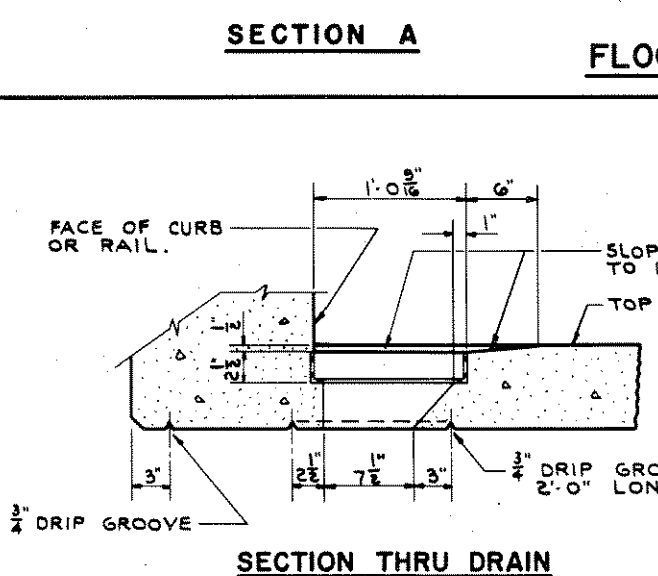
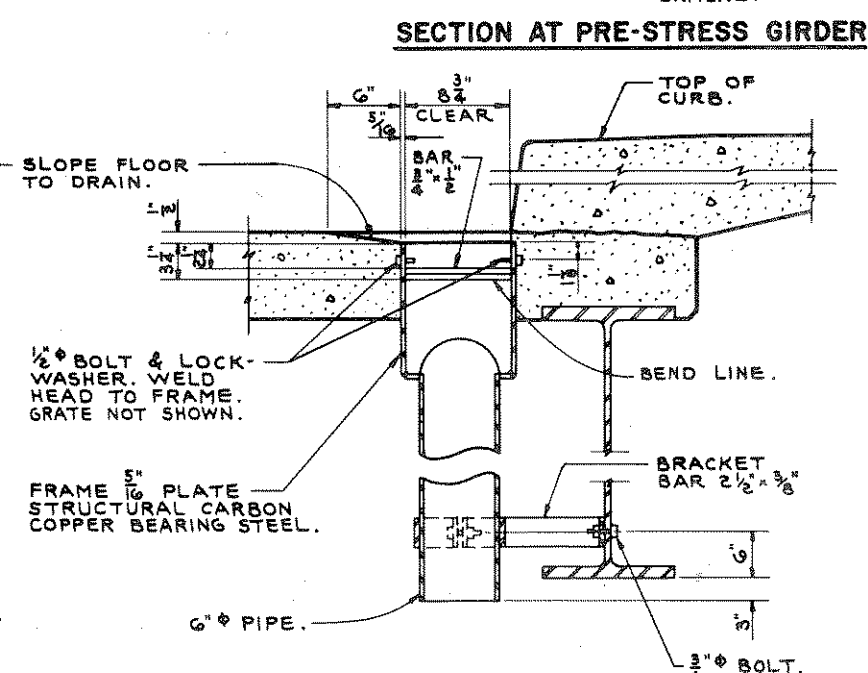
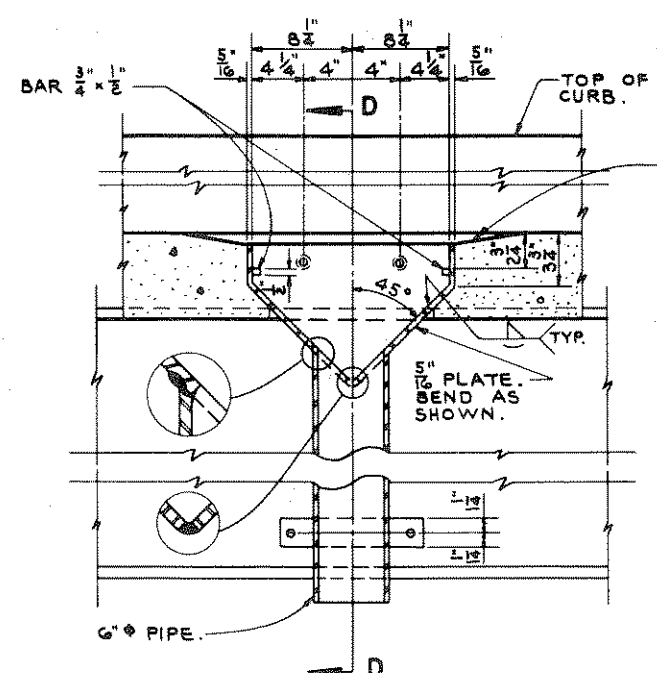
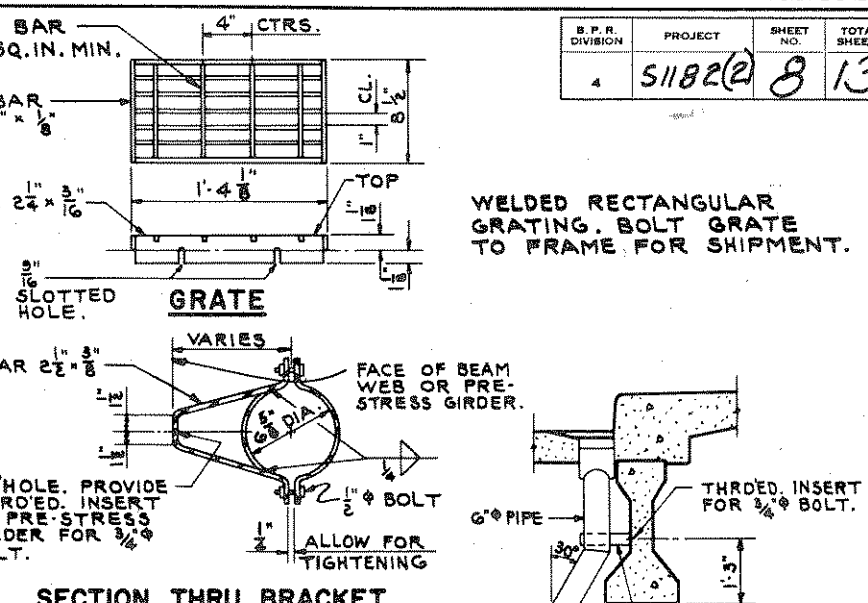
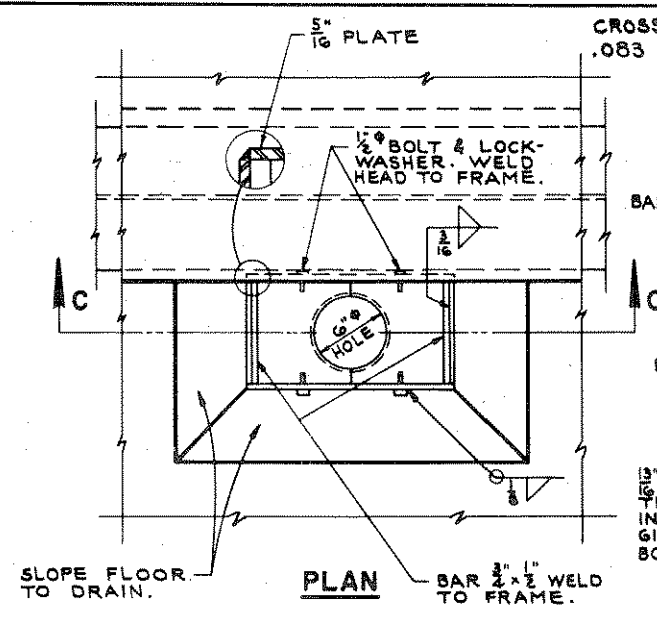
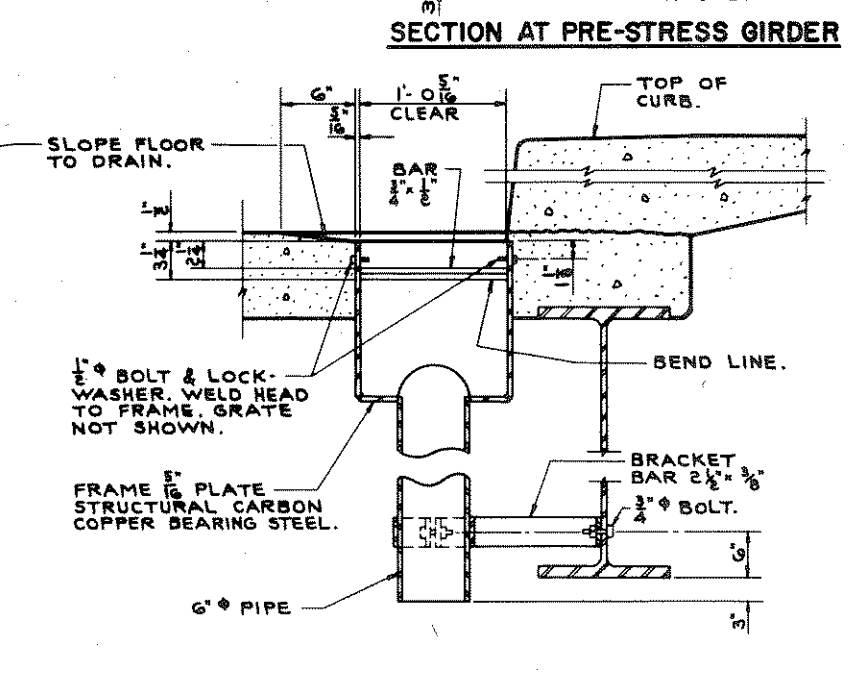
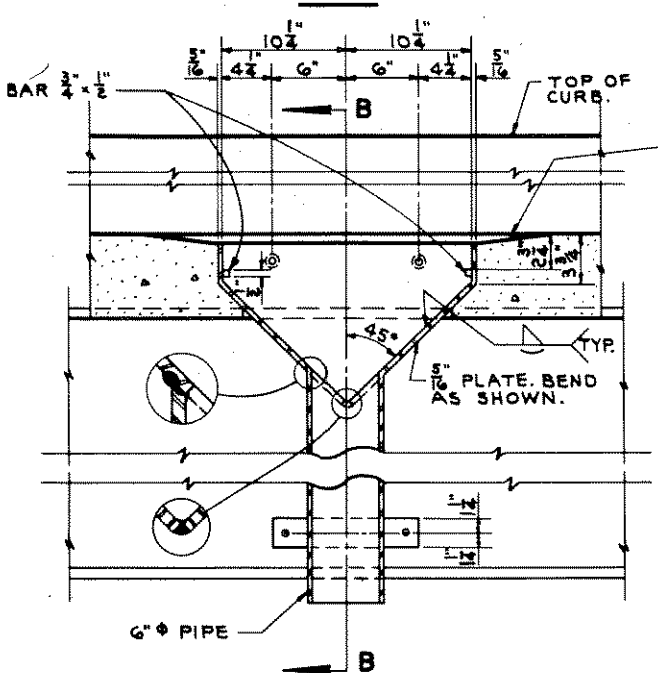
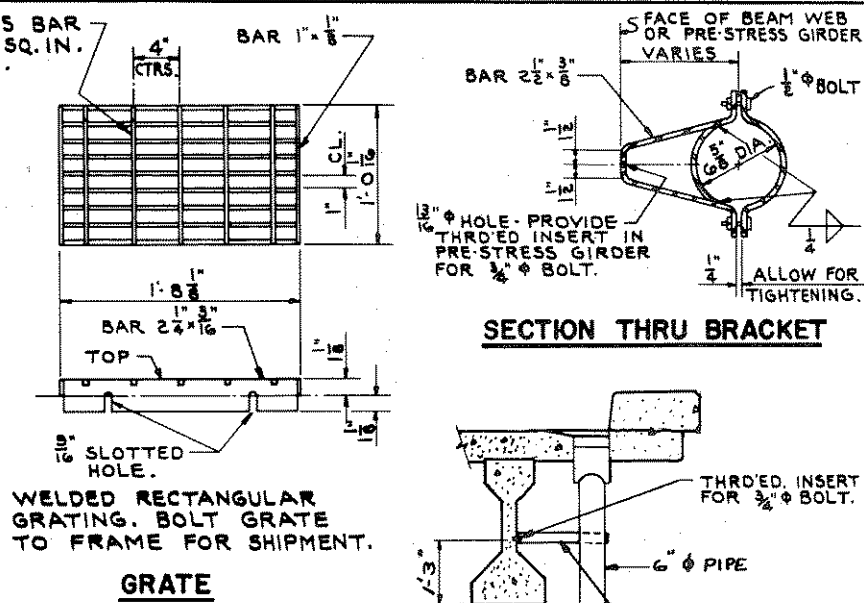
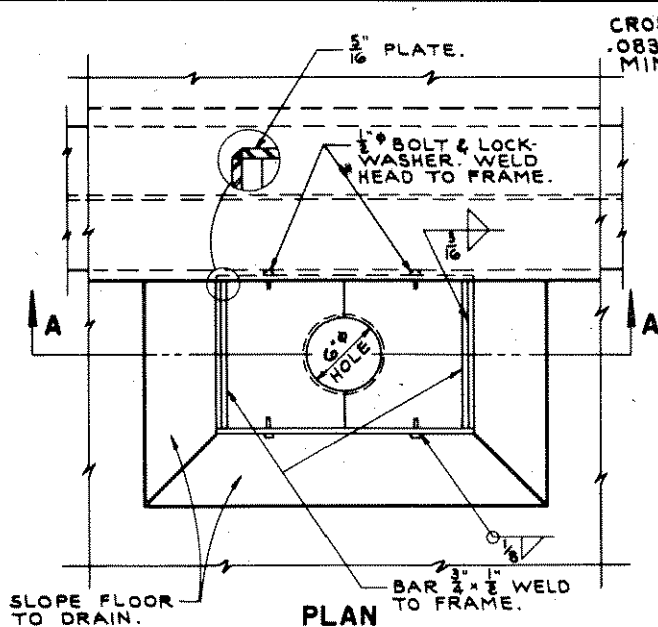


B. P. R. DIVISION	PROJECT	SHEET NO.	TOTAL SHEETS
4	51182(2)	8	13



NOTE: WELDS ON COPPER BEARING STEEL SHALL BE MADE WITH LOW HYDROGEN ELECTRODES.

FLOOR DRAIN - TYPE	A
FLOOR DRAINS REQ'D.	2

REVISED	STATE HIGHWAY COMMISSION OF WISCONSIN
	FLOOR DRAIN DETAILS
DESIGN SPEC. A.A.S.H.O. 1961	LOADING H20
DATE 1/12/67	CONTR. 1963
DESIGN CRD	DRAWN PAGE
STRUCTURE B-35-18	SHEET 4 OF 9

X36678