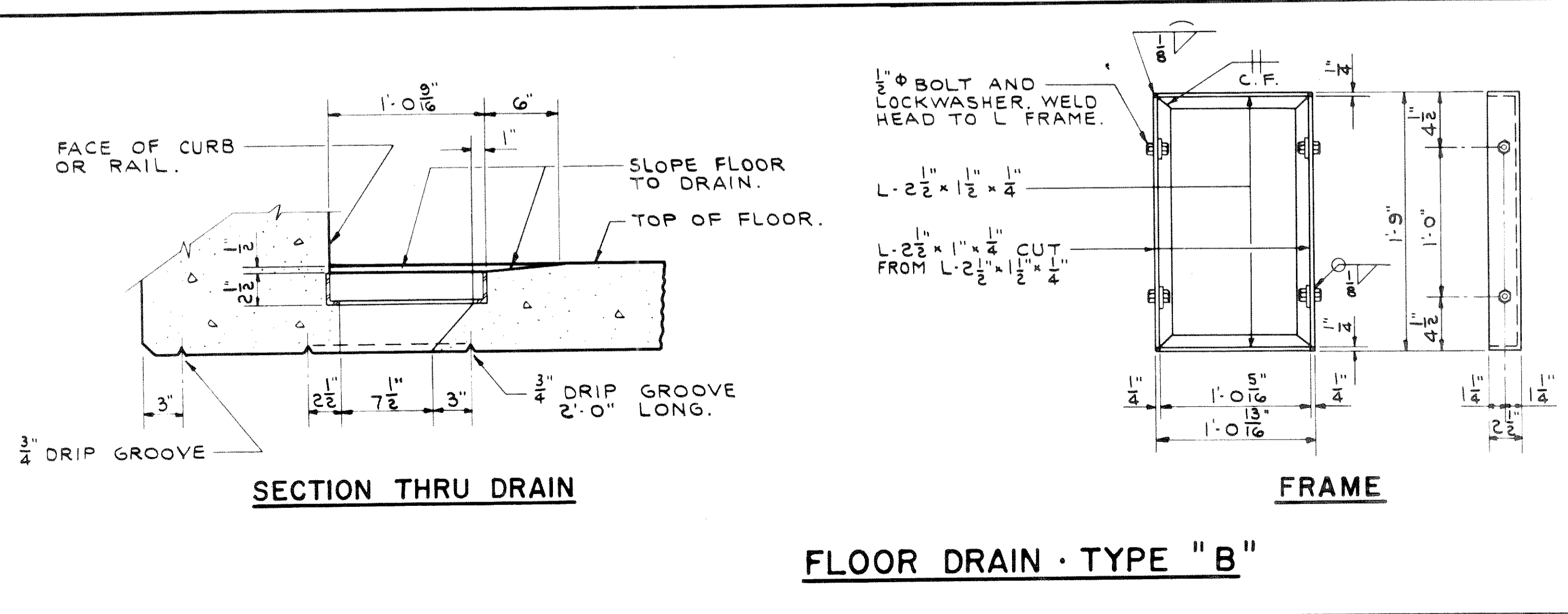
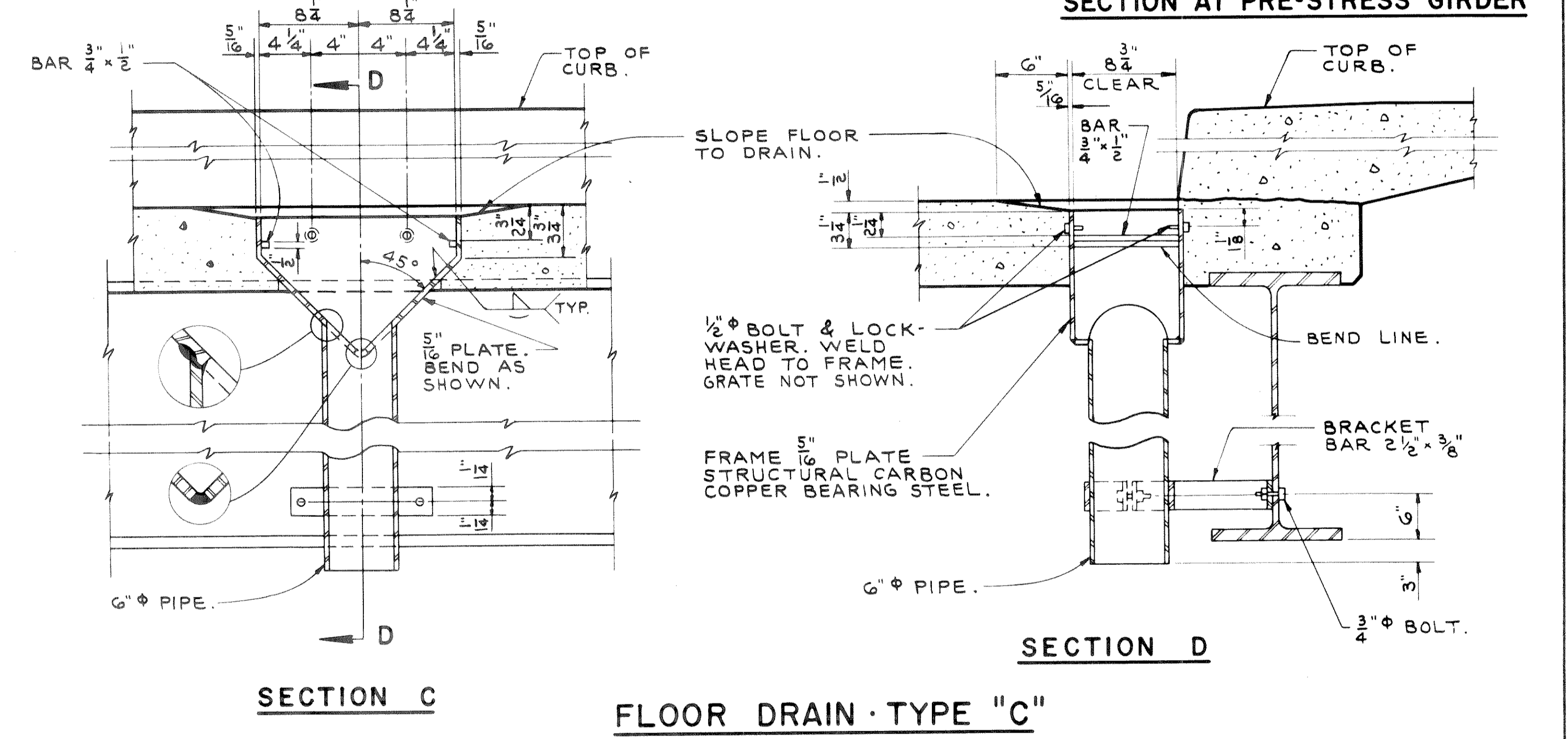
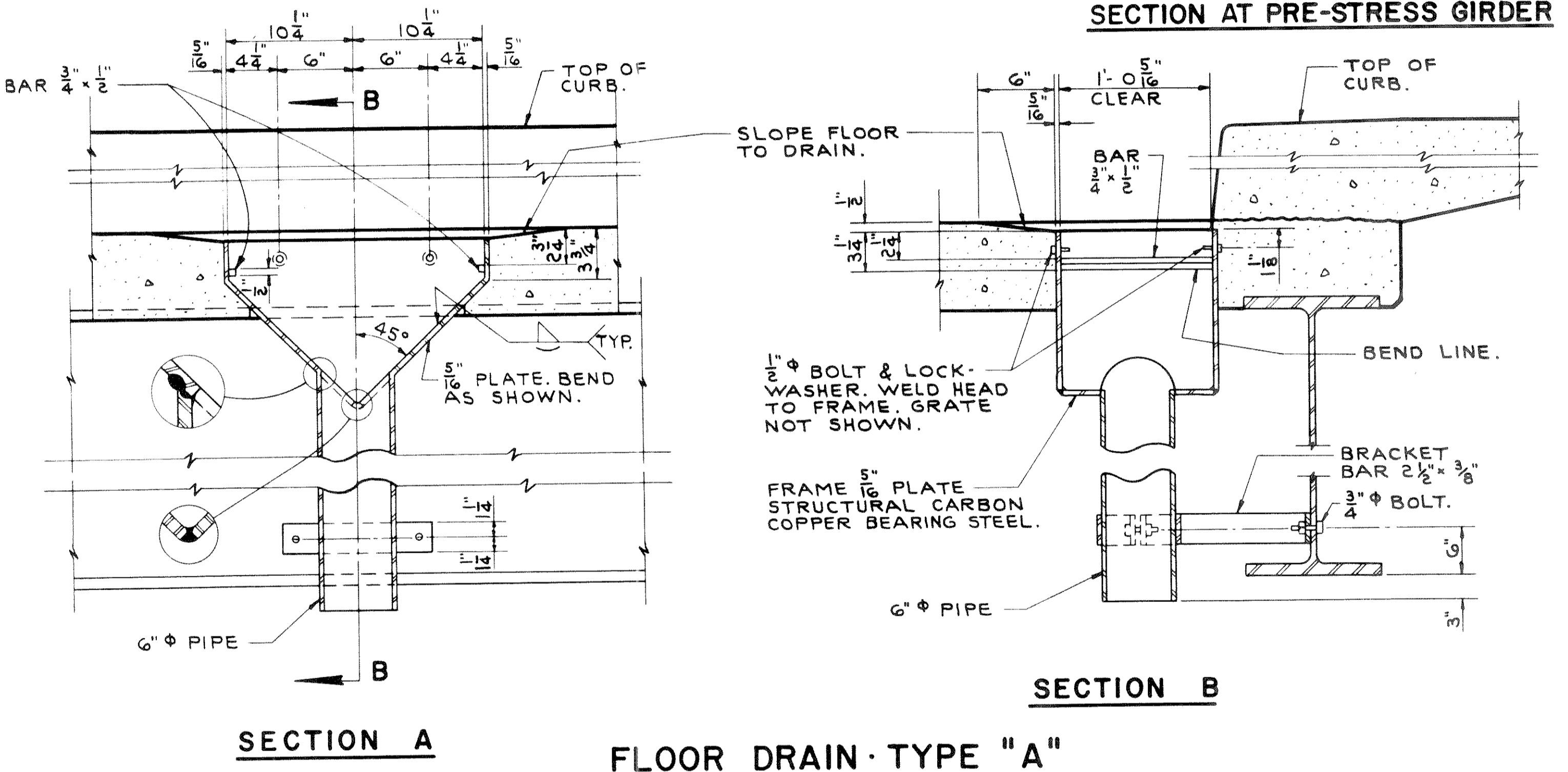
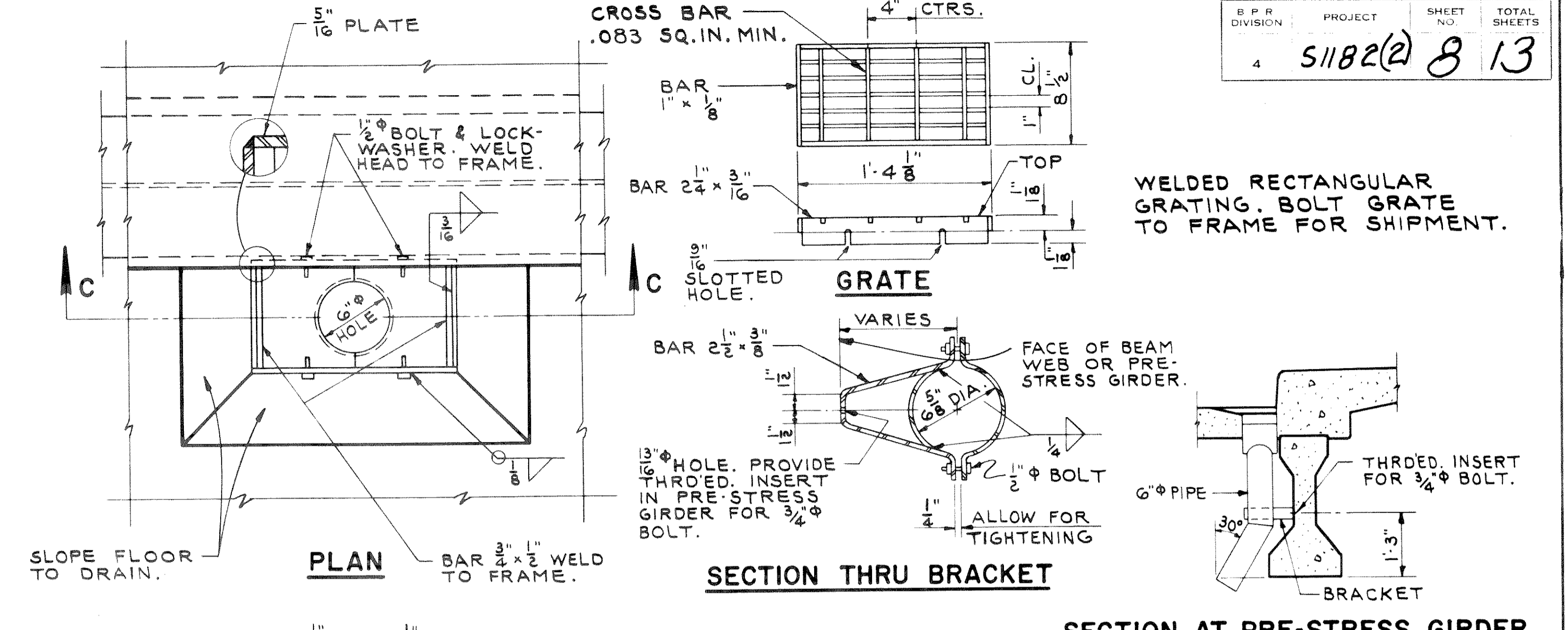
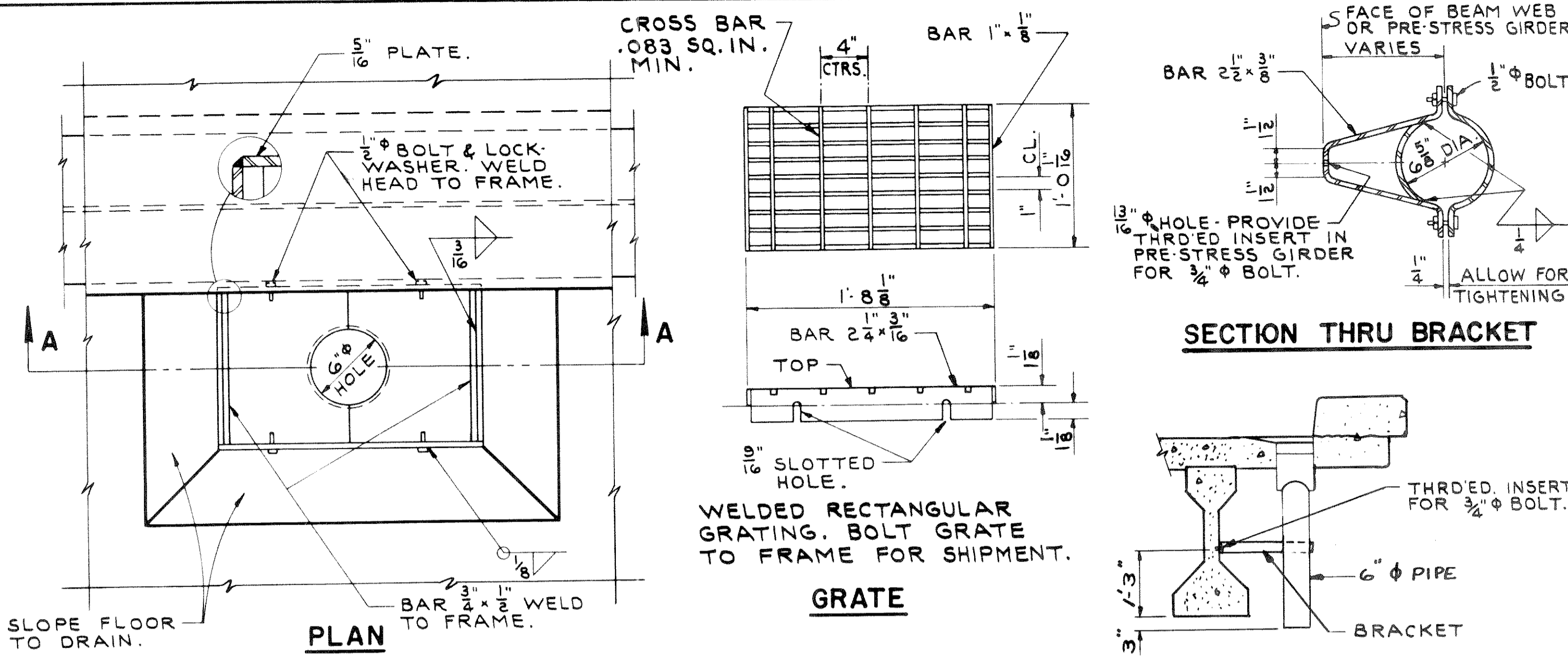


B.P.R. DIVISION	PROJECT	SHEET NO.	TOTAL SHEETS
4	51182(2)	8	13



NOTE: WELDS ON COPPER BEARING STEEL SHALL BE MADE WITH LOW HYDROGEN ELECTRODES.

FLOOR DRAIN - TYPE	A
FLOOR DRAINS REQ'D.	2

REVISED	STATE HIGHWAY COMMISSION OF WISCONSIN
FLOOR DRAIN DETAILS	
DESIGNED BY: A.A.S.H.O. (96)	LOADING: H20
DATE: 1/12/67	CRD
DRAWN BY: FR.W.	PAGE: 1
STRUCTURE: B-35-18	SHEET: 4 OF 9

36678