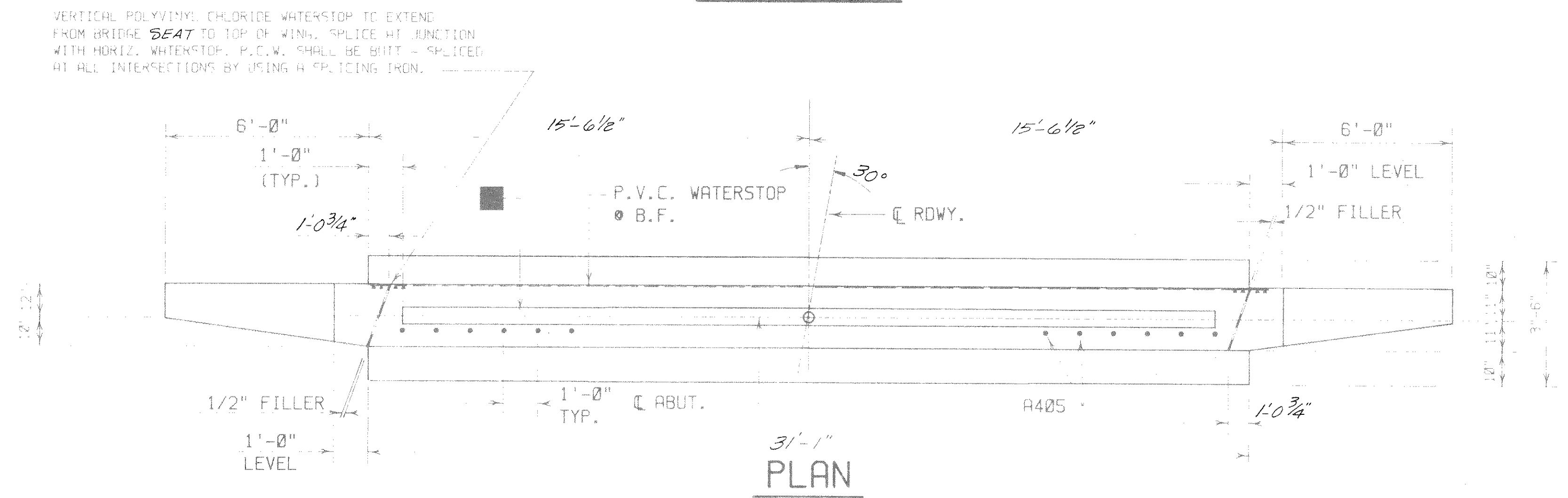


ELEVATION

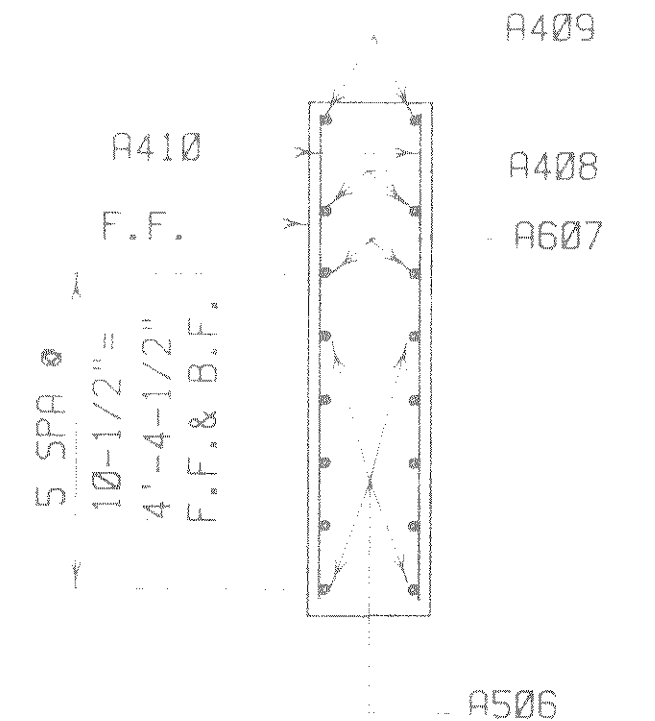
BILL OF BARS (THE NO. OF BARS SHOWN ARE FOR TWO ABUTS.) 2,760# (2 ABUTS.)

BAR MARK	NO. REQ'D.	LENGTH	BENT	CUT	LOCATION
A401	10	28'-0"	X		BODY - ONE PER PILE
A402	20	2'-3"			BODY - TWO PER PILE
A403	130	8'-2"	X		BODY - STIRRUPS
A604	24	30'-9"			BODY - HORIZ.
A405	60	2'-0"			BODY - VERT. - DOWELS
A506	40	7'-4"			WINGS - HORIZ.
A607	8	9'-1"			WINGS - HORIZ.
A408	8	3'-4"			WINGS - HORIZ.
A409	8	6'-2"	X		WINGS - TOP
A410	20	11'-2"		X	WINGS - VERT.

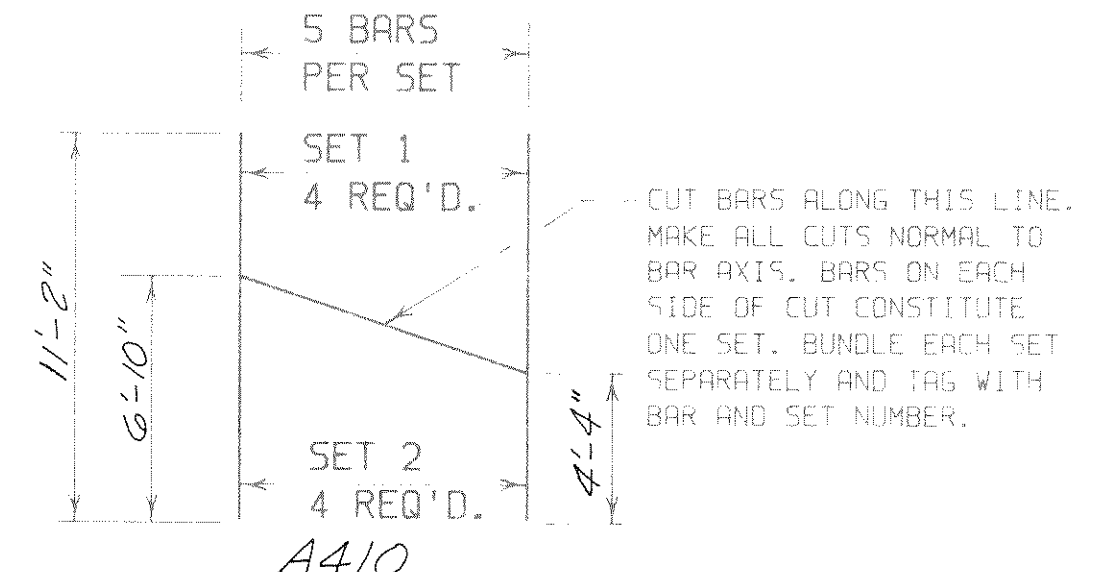
THE FIRST OR FIRST TWO DIGITS OF A BAR MARK SIGNIFIES THE BAR SIZE.



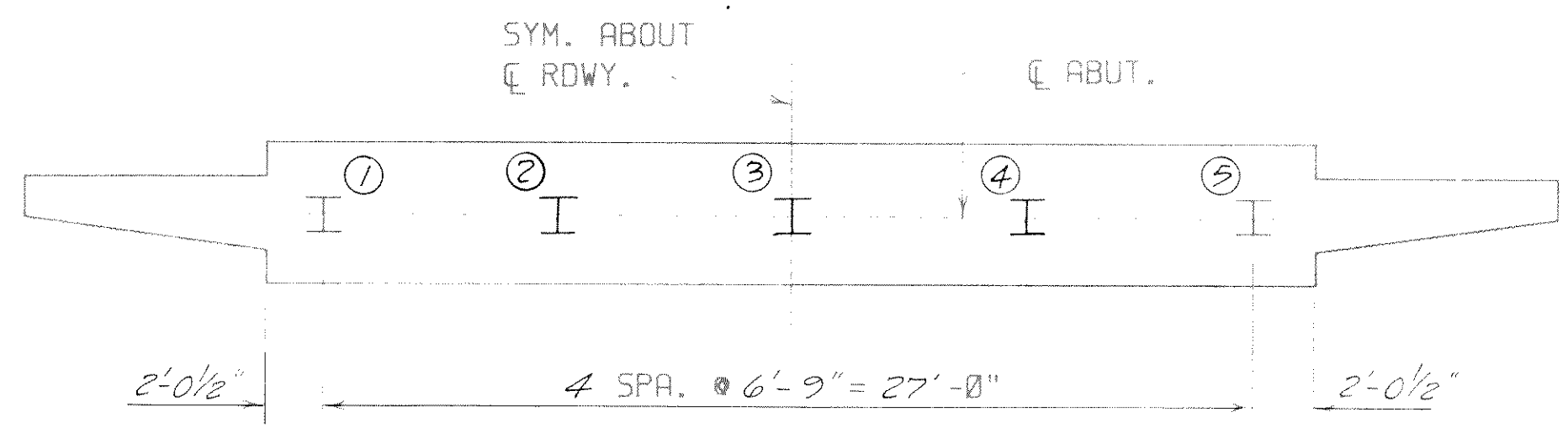
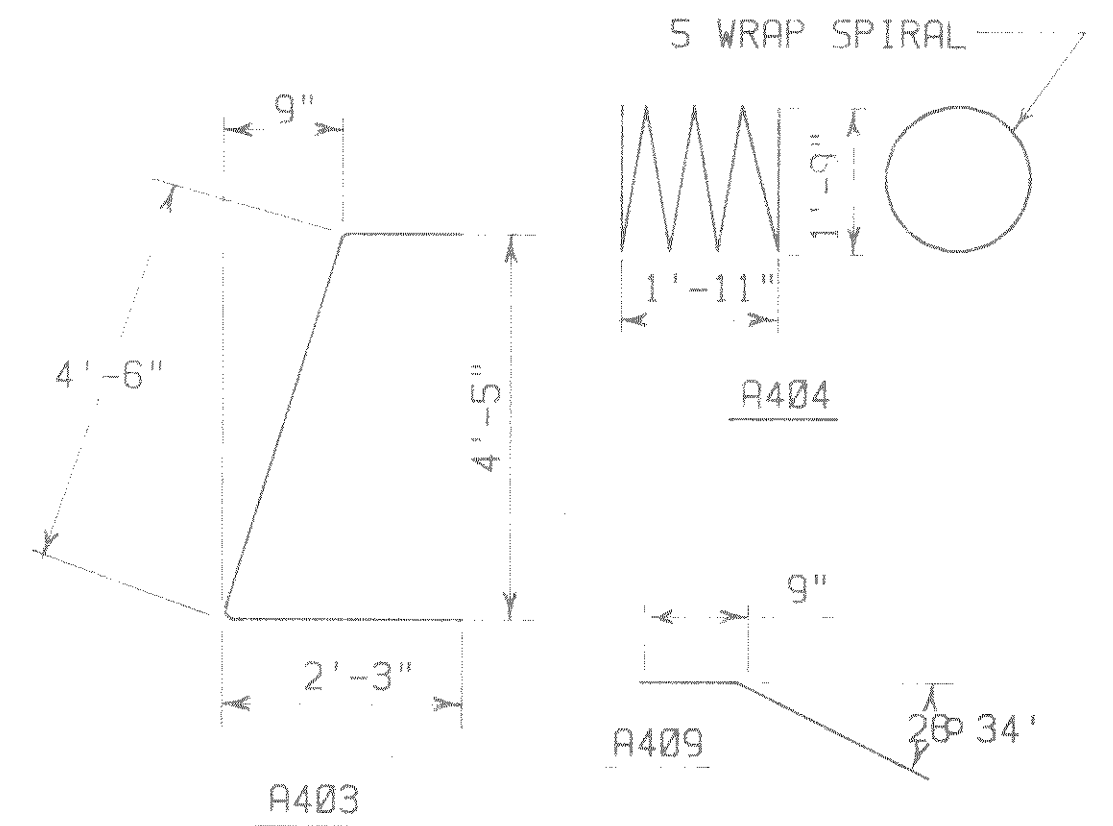
PLAN



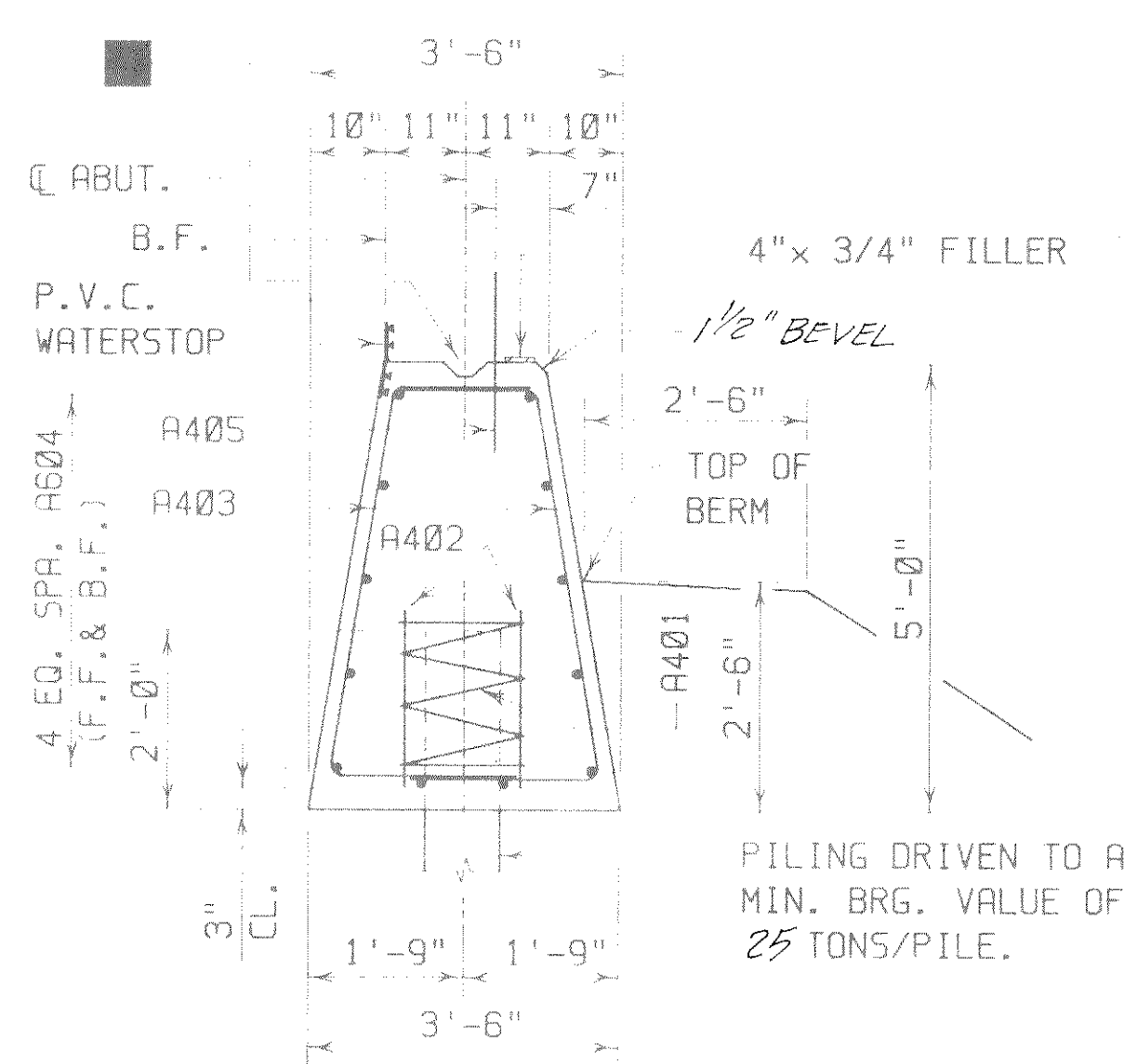
WING SECTION



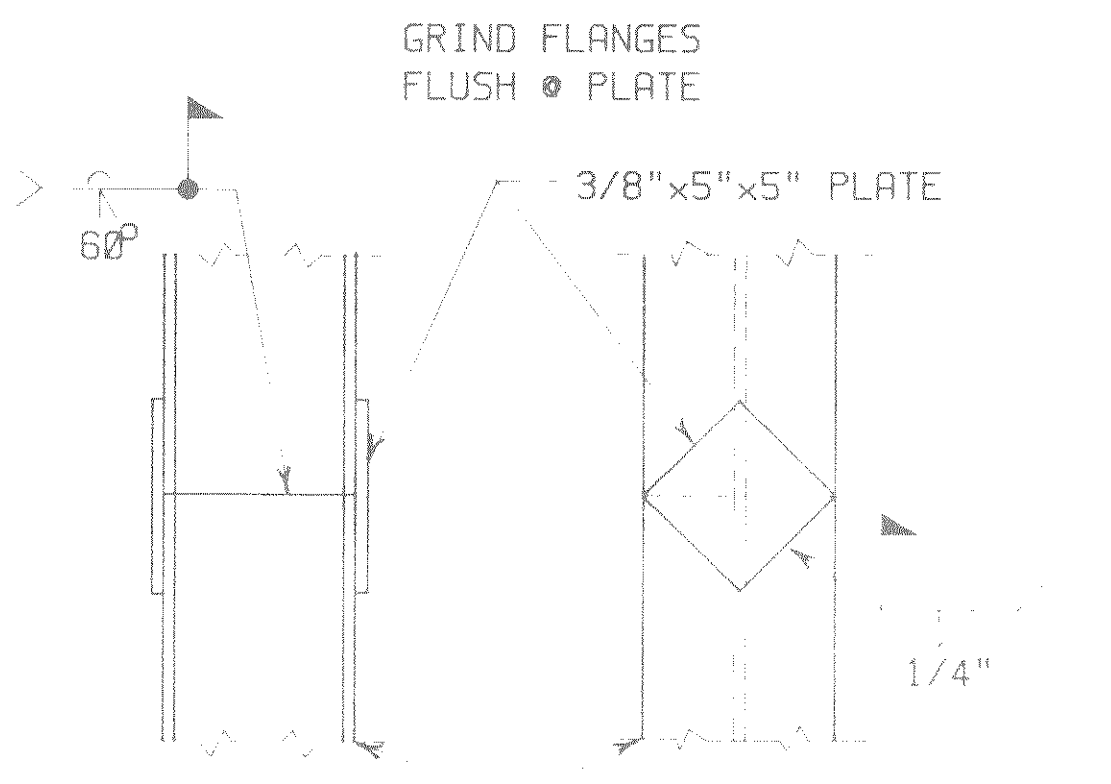
CUTTING DIAGRAM



PILE PLAN



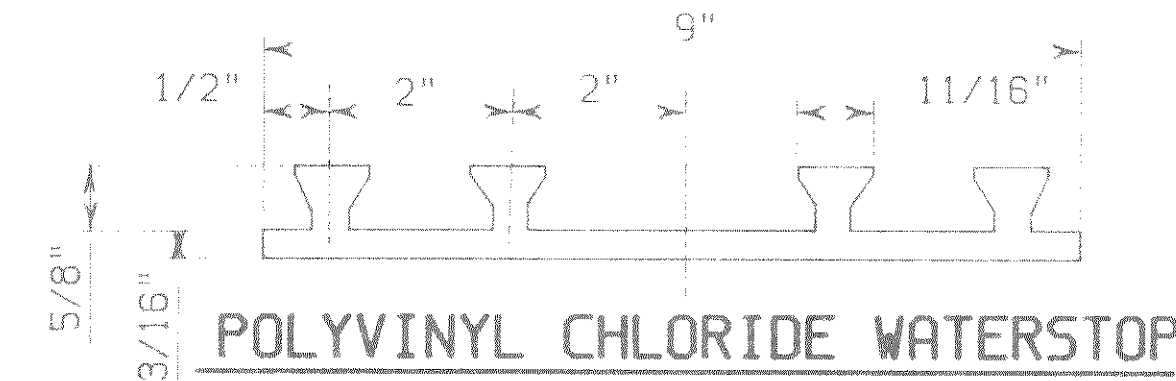
SECT. THRU BODY
ALL HORIZ. BARS ARE A604



PILE SPLICE DETAIL

CONST. JOINT KEYWAY FORMED BY A SURFACED, BEVELED 2"x 6".

NOTE: A405 BARS MAY BE PLACED AFTER CONC. IS POURED, BUT BEFORE INITIAL SET HAS OCCURED.



POLYVINYL CHLORIDE WATERSTOP

STRUCTURE B-35-91	
W.S. '81	T.L. L.M.B.
SHEET 3 OF 6	
ABUTMENTS	
X 77181	