

ABBREVIATIONS  
 F --- Fine M --- Medium C --- Coarse  
 Ws --- Weathered So --- Sound

MATERIAL SYMBOLS  
 Topsoil Silt Sandstone  
 Sand Peat Limestone  
 Gravel Clay Igneous Rock

LEGEND OF PROBING  
 Probing No. Sta. Elevation  
 95/6=95 Blows for 6" Penetration  
 Probing taken with a 350# wt. Falling 18" on a 2" O. D. Point. Refusal 95 6

LEGEND OF BORING  
 Boring No. Sta. Elev.  
 Unconfined Strength 7.7  
 Blows Per Ft. Using 140# Wt. Falling 30"  
 Wash Sample  
 Shelby Tube S. T.  
 Ground Water Elevation  
 No Ground Water Observed Above This Elevation  
 Sandy Gravel  
 Boulders or Cobbles  
 Sand  
 Silty Clay  
 Limestone

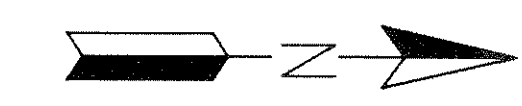
Unless otherwise specified, the blows per foot at the locations indicated are based on driving a 2" O. D. x 1.4" I. D. split spoon sampler with a 140# hammer having a free fall of 30". The blow count is taken in undisturbed soil immediately below a cased or open hole eliminating side friction on the drive pipe.

SUBSURFACE EXPLORATION FOR FOUNDATION DESIGN AND BIDDERS INFORMATION

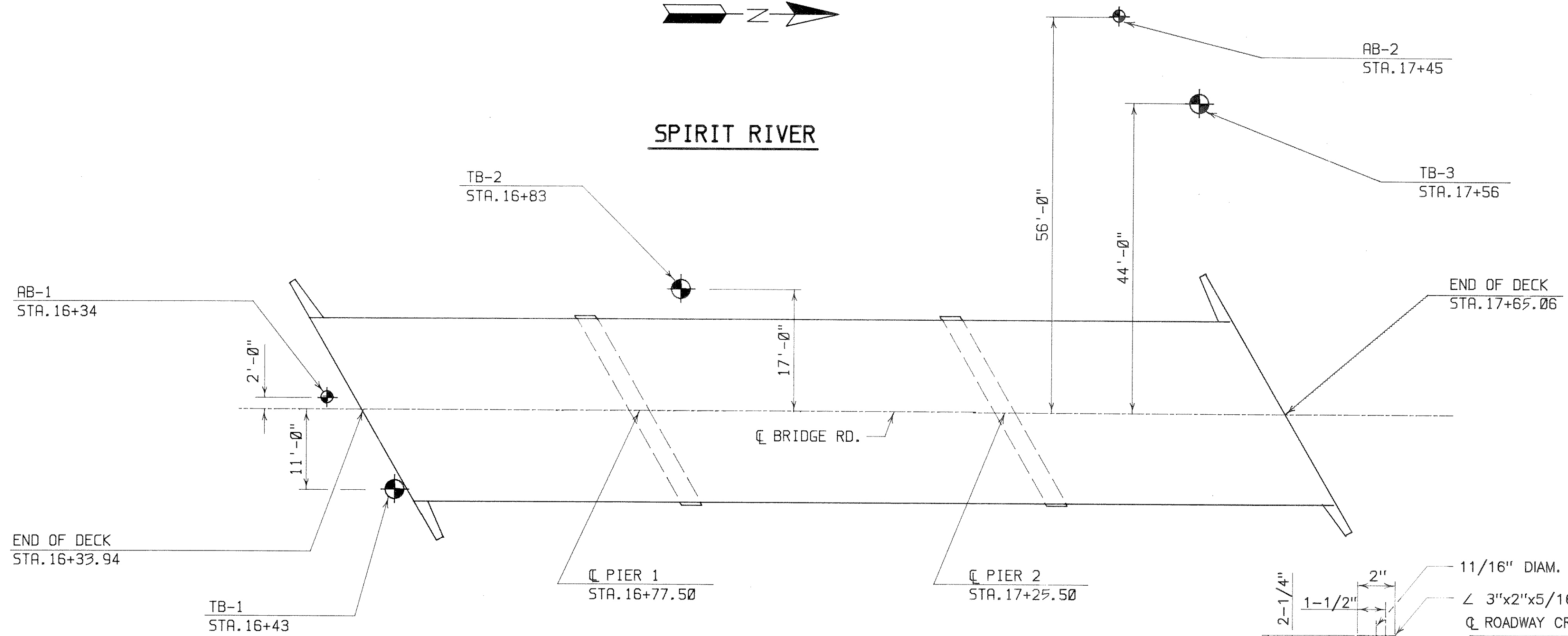
To obtain relative data concerning the character of material in and upon which the foundation might be built, borings and/or soundings were made at points approximately as indicated on this drawing. The data presented herein represents the findings of the subsurface explorations made. However, because the depths investigated are limited and the area of the borings and/or soundings is very small in relation to the entire area, the Division of Highways does not warrant conditions below the depths investigated or that the classification of material encountered in these investigations is necessarily typical of the entire site.

No.	Date	Revision	By
STATE OF WISCONSIN DEPARTMENT OF TRANSPORTATION DIVISION OF HIGHWAYS			
<b>STRUCTURE B-35-91</b>			
Const. Spec.	WIS. '81	Drawn By	T.L.
Plans Checked	L.M.B.		
<b>SUBSURFACE EXPLORATION</b>			SHEET <b>2</b> OF <b>6</b> <b>X 77180</b>

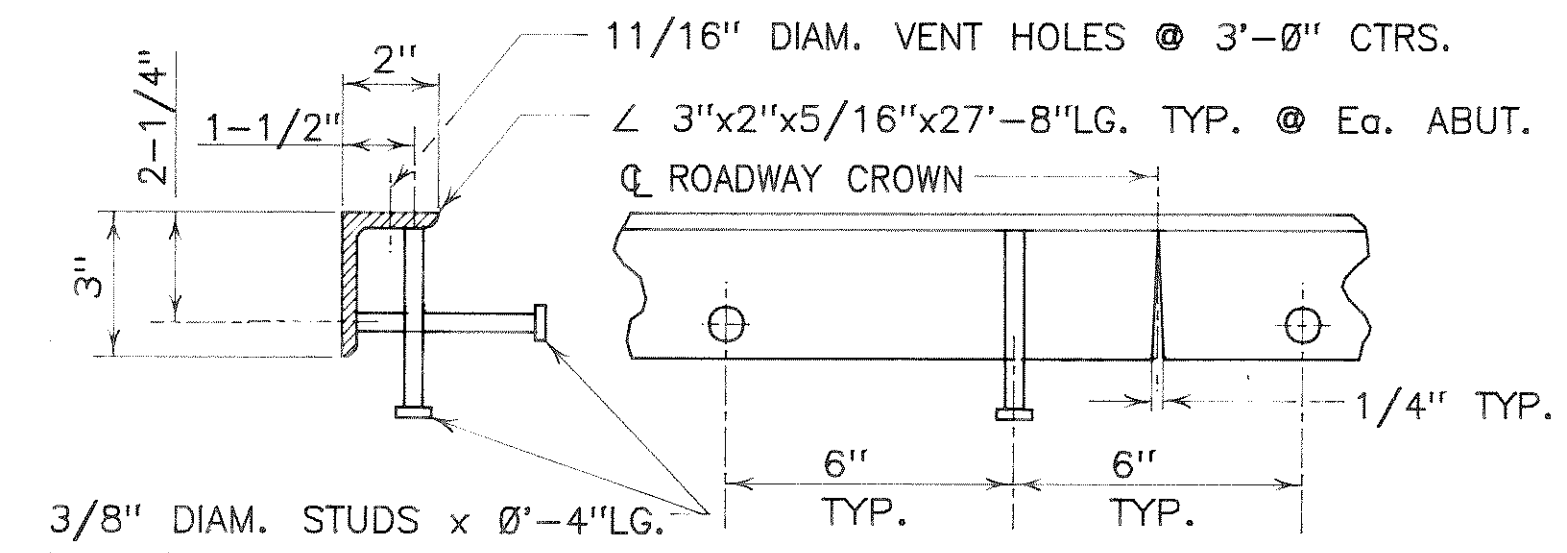
754-B/C



**SPIRIT RIVER**



**PLAN**



**PROTECTION ANGLE DETAIL**

NOTE: ANGLE AND STUDS SHALL BE PAID FOR AS STRUCTURAL CARBON STEEL.

