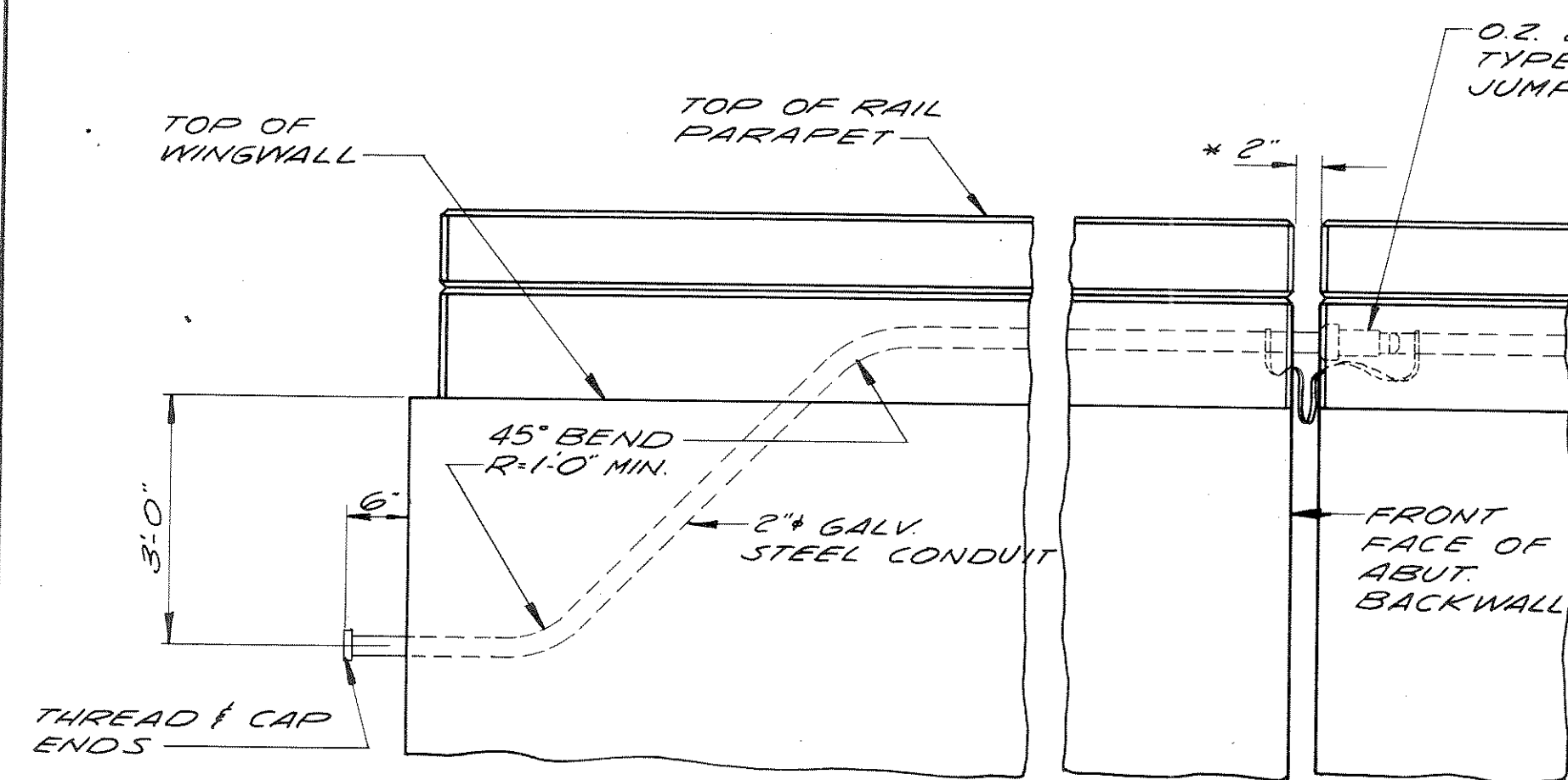
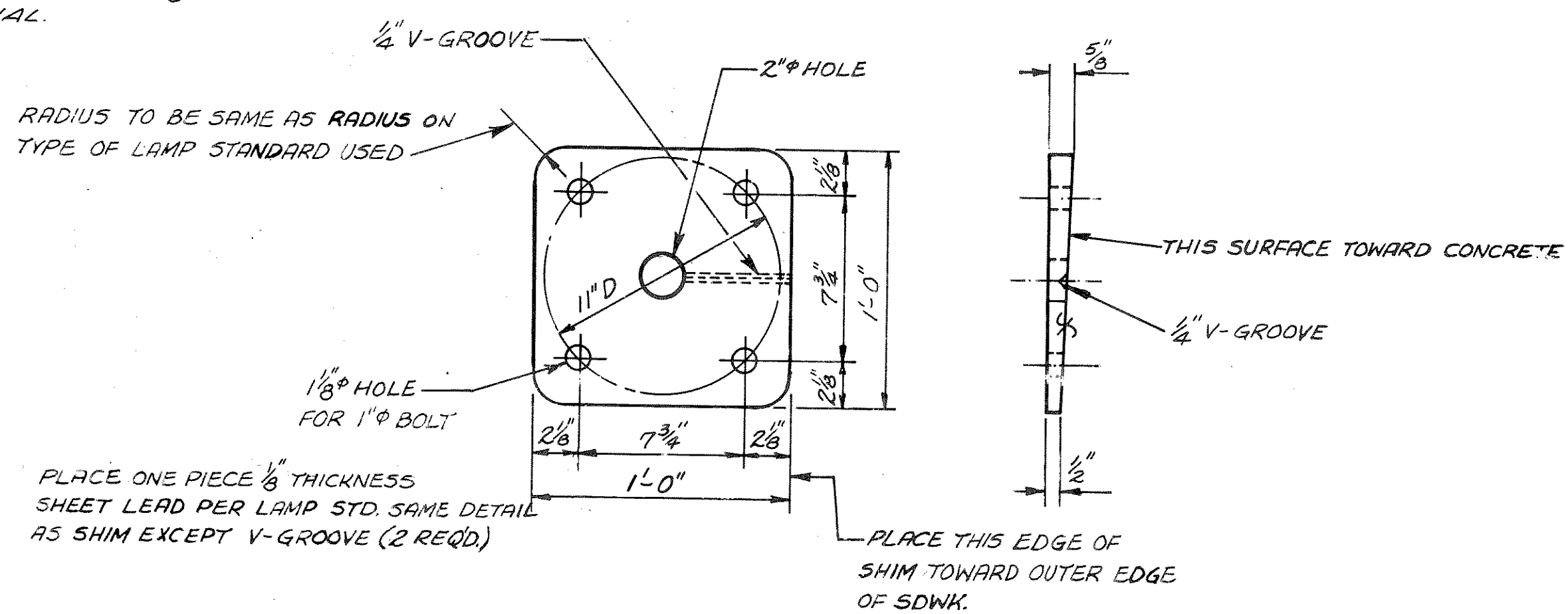


B.P.R. DIVISION	PROJECT	SHEET NO.	TOTAL SHEETS
4	5005924	20	33



DETAILS AT ABUTMENTS

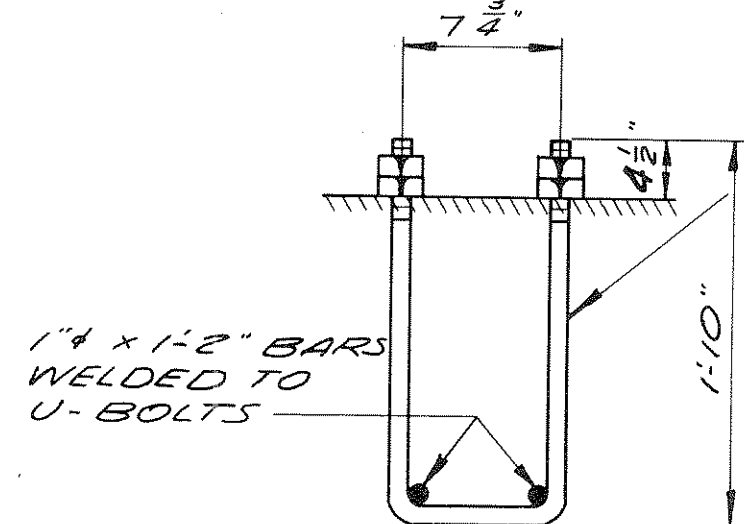


SHEET LEAD AND LAMP STD. SHIM DETAILS

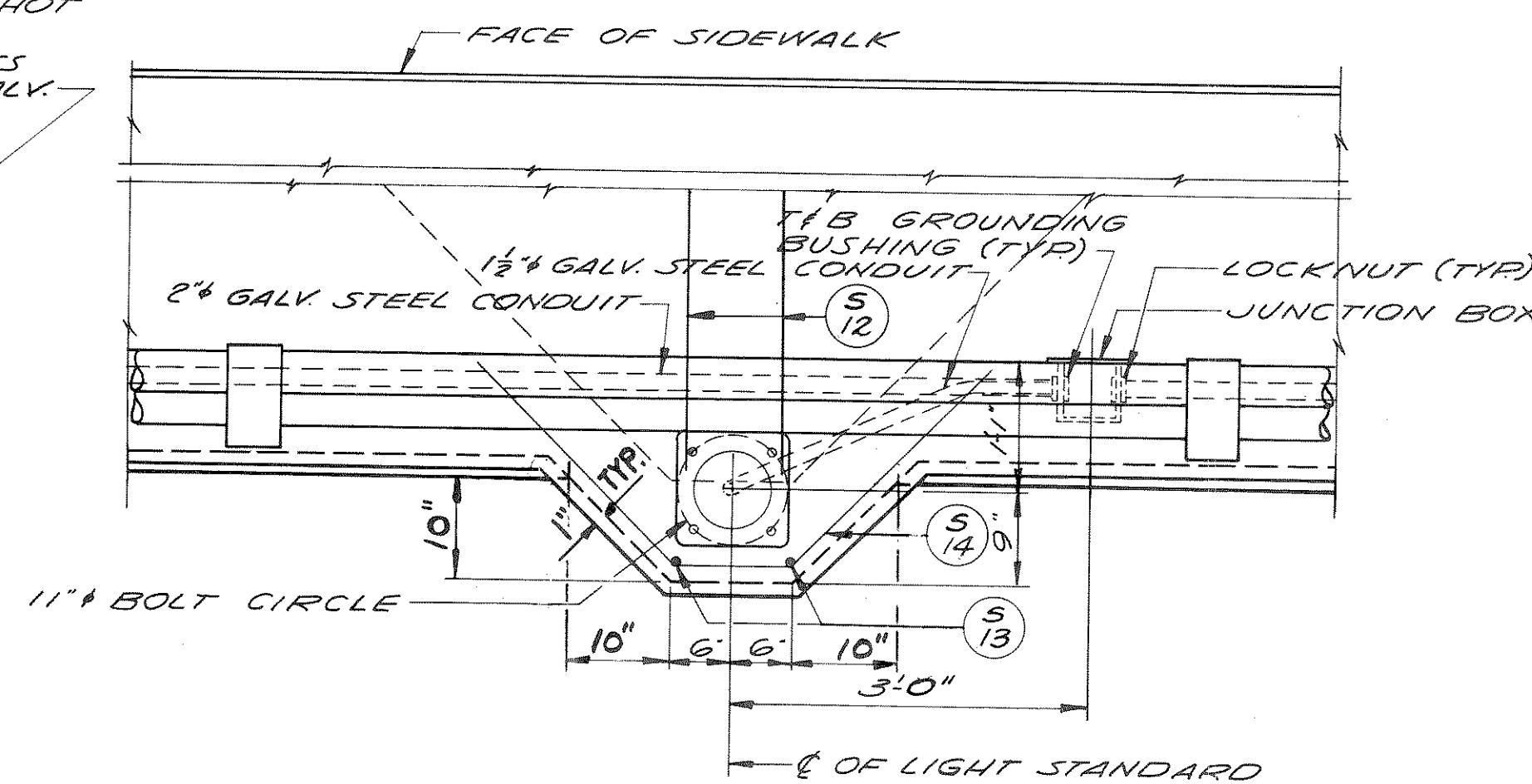
NOTE: SHIMS SHALL BE GALVANIZED IN ACCORDANCE WITH REQUIREMENTS OF ASTM: A123. (2 SHIMS REQ'D.)

* 2" OPENING AT 60° F.

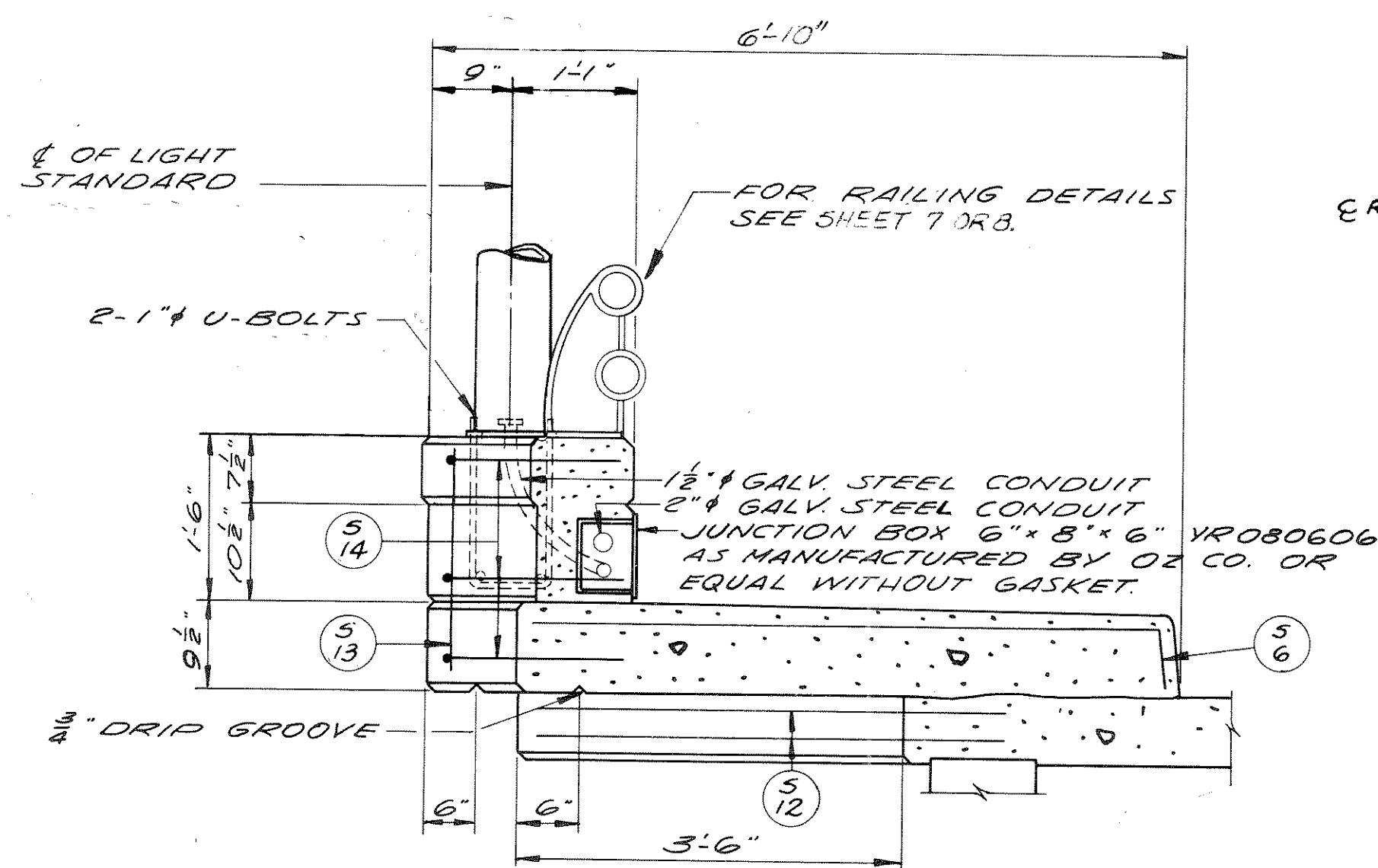
2-1 1/4" U-BOLTS, TOP 4" OF BOLTS, NUTS & WASHERS SHALL BE HOT DIPPED GALV. PROVIDE ENLARGED THREAD ON NUTS FOR PROPER FIT AFTER GALV.



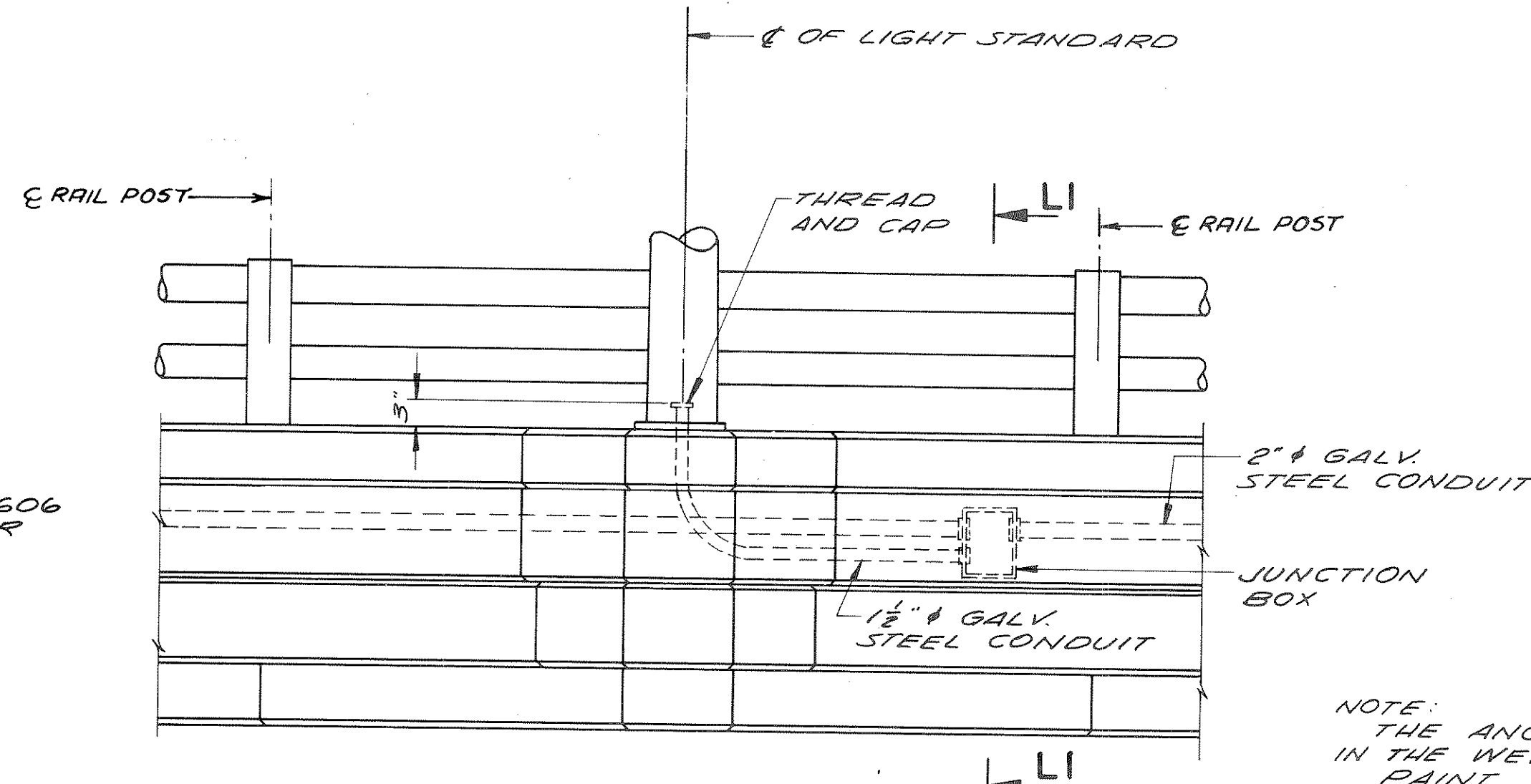
ANCHOR BOLT DETAIL



PLAN VIEW AT LIGHT STANDARD



SECTION LI



ELEVATION AT LIGHT STANDARD

ESTIMATE OF QUANTITIES FOR ELECTRICAL WORK

ITEM	UNIT	QUANTITY
LIGHTING STANDARD, MAST ARM, LUMINAIRE, LAMP	EACH	2
2" GALV. STEEL RIGID CONDUIT	L.F.	420
1 1/2" GALV. STEEL RIGID CONDUIT	L.F.	4
6" x 6" x 6" JUNCTION BOX	EACH	2
AX200 EXPANSION FITTING	EACH	2
#8 AWG SINGLE CONDUCTOR, BUTYL. INSUL. NEO. JACK. CABLE	L.F.	1100
SHEET LEAD	S.F.	2
1" GALV. STEEL RIGID CONDUIT	L.F.	25
30 AMP. RCOC OPEN RELAY	EACH	1

NOTE: THE ANCHOR BOLT ASSEMBLIES AND SHIMS ARE INCLUDED IN THE WEIGHT OF STRUCTURAL LOW ALLOY STEEL. PAINT ALL EMBEDDED CONDUITS, 18" ON EACH SIDE OF DEFLECTION JOINTS, IN PARAPET AT PERS ONLY WITH A HEAVY COAT OF BITUMINOUS PAINT.

REVISED	STATE HIGHWAY COMMISSION OF WISCONSIN
LIGHTING DETAILS	
DESIGN SPEC A.A.S.H.O. 61	LOADING
DATE 9-23-64	DESIGN
CONST. SPEC. 1963	CONST. SPEC.
DRAWN JK	CKD. J. B.
STRUCTURE B-35-15	SHEET 10 OF 14