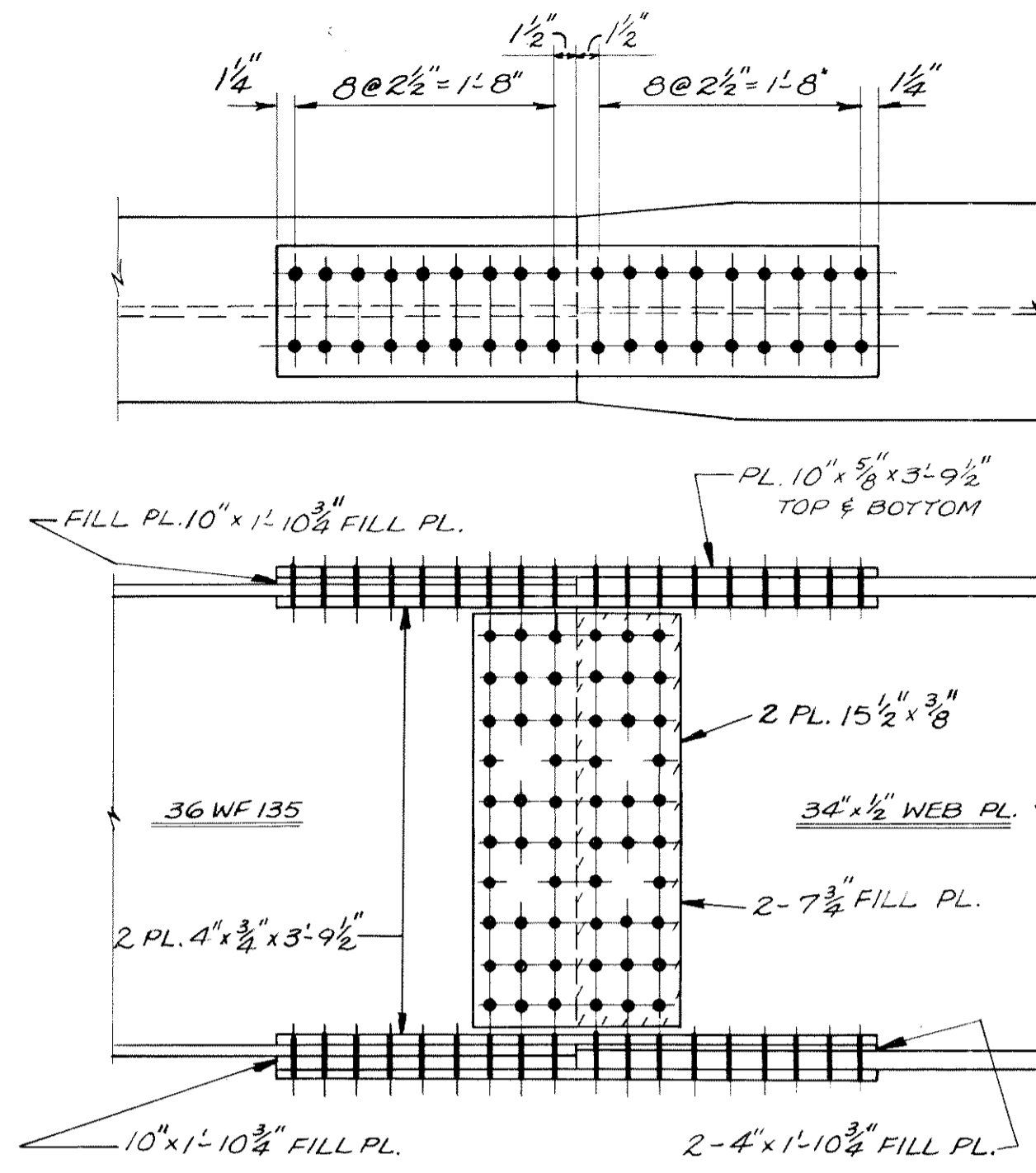
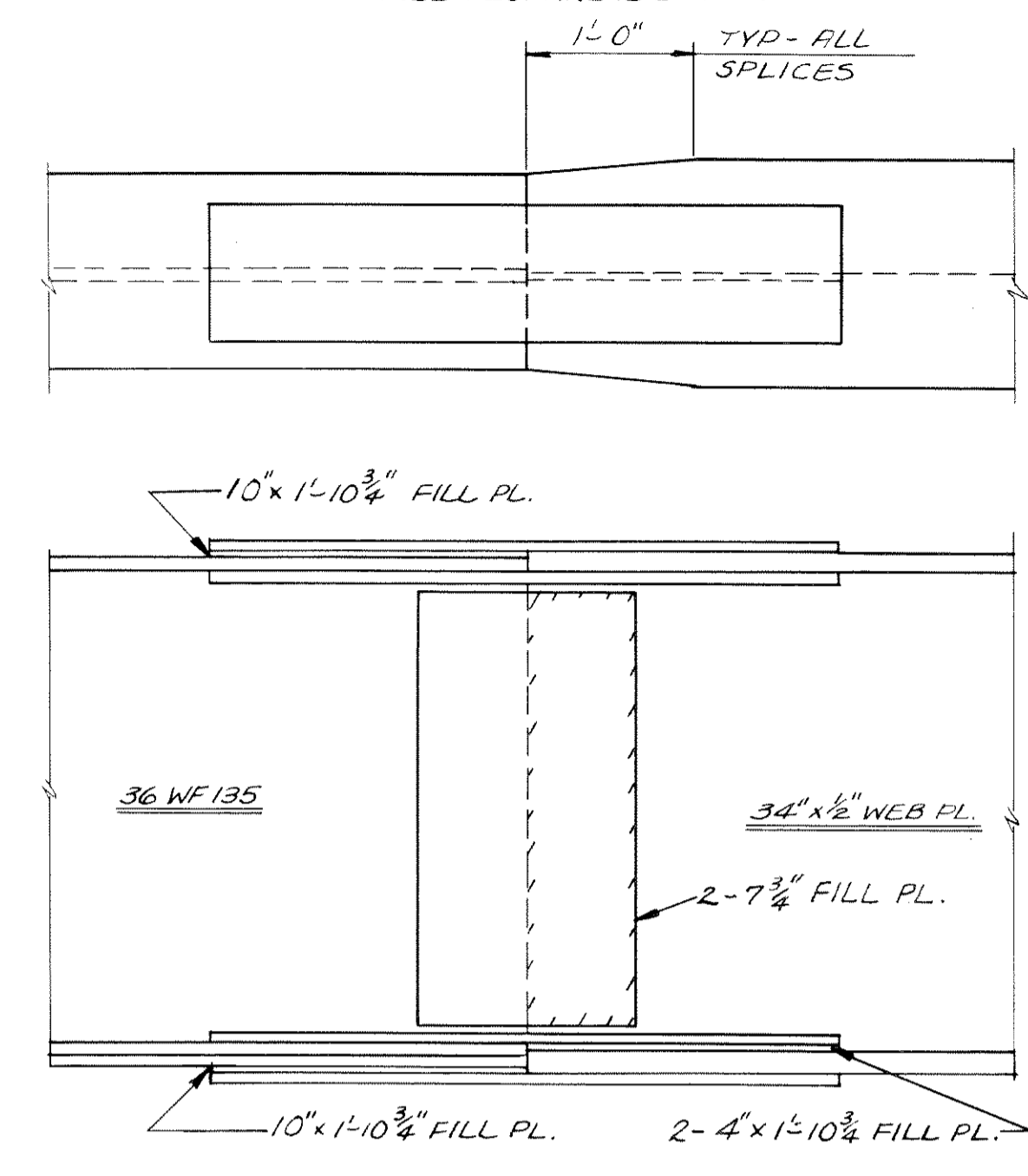


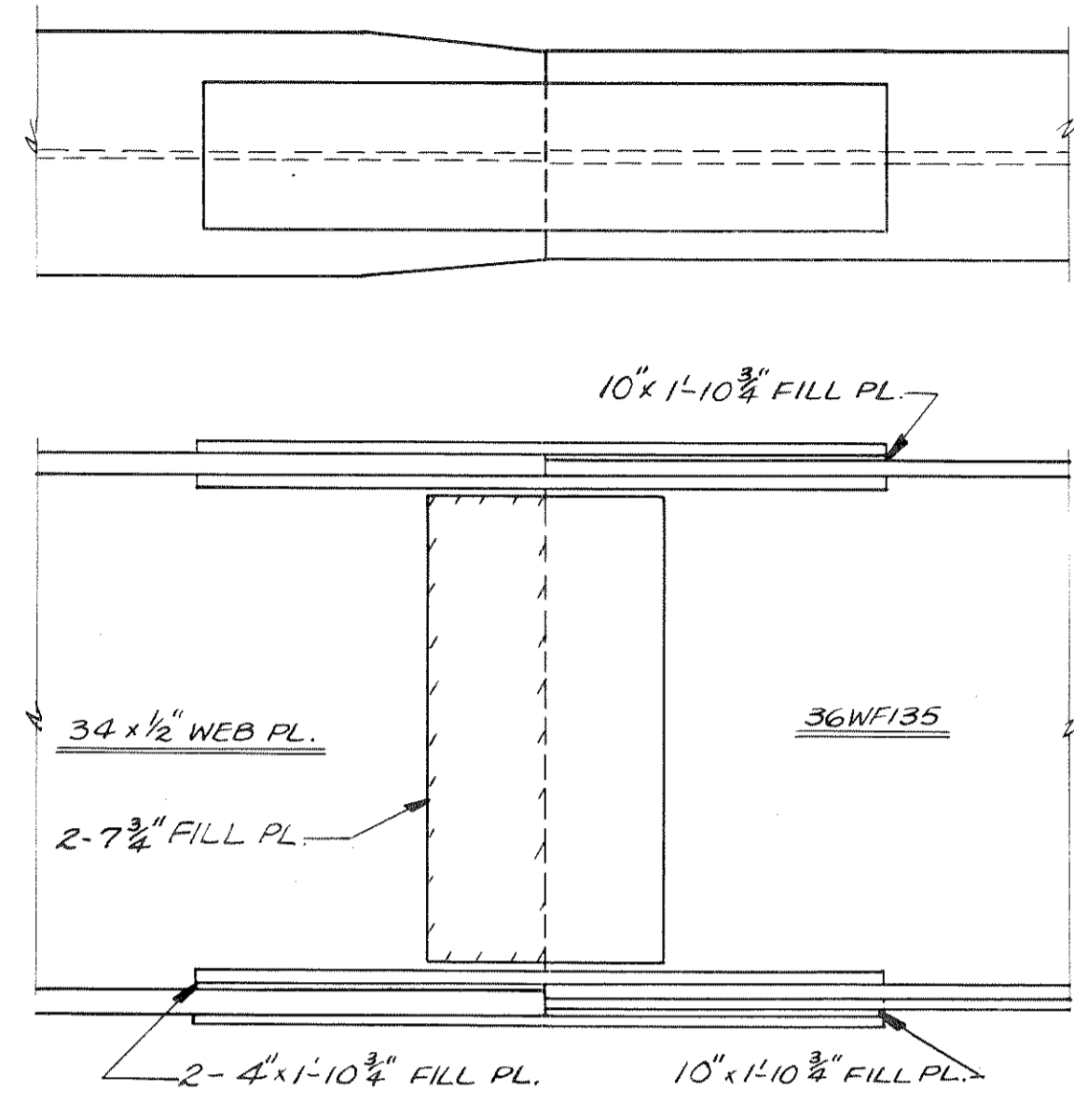
NOTE: NUMBER OF BOLTS AND SPACING IDENTICAL IN SPLICES A, B & C. ALL PLATE SIZES SHOWN FOR SPLICES A, B & C EXCEPT FILL PLS. ARE IDENTICAL.



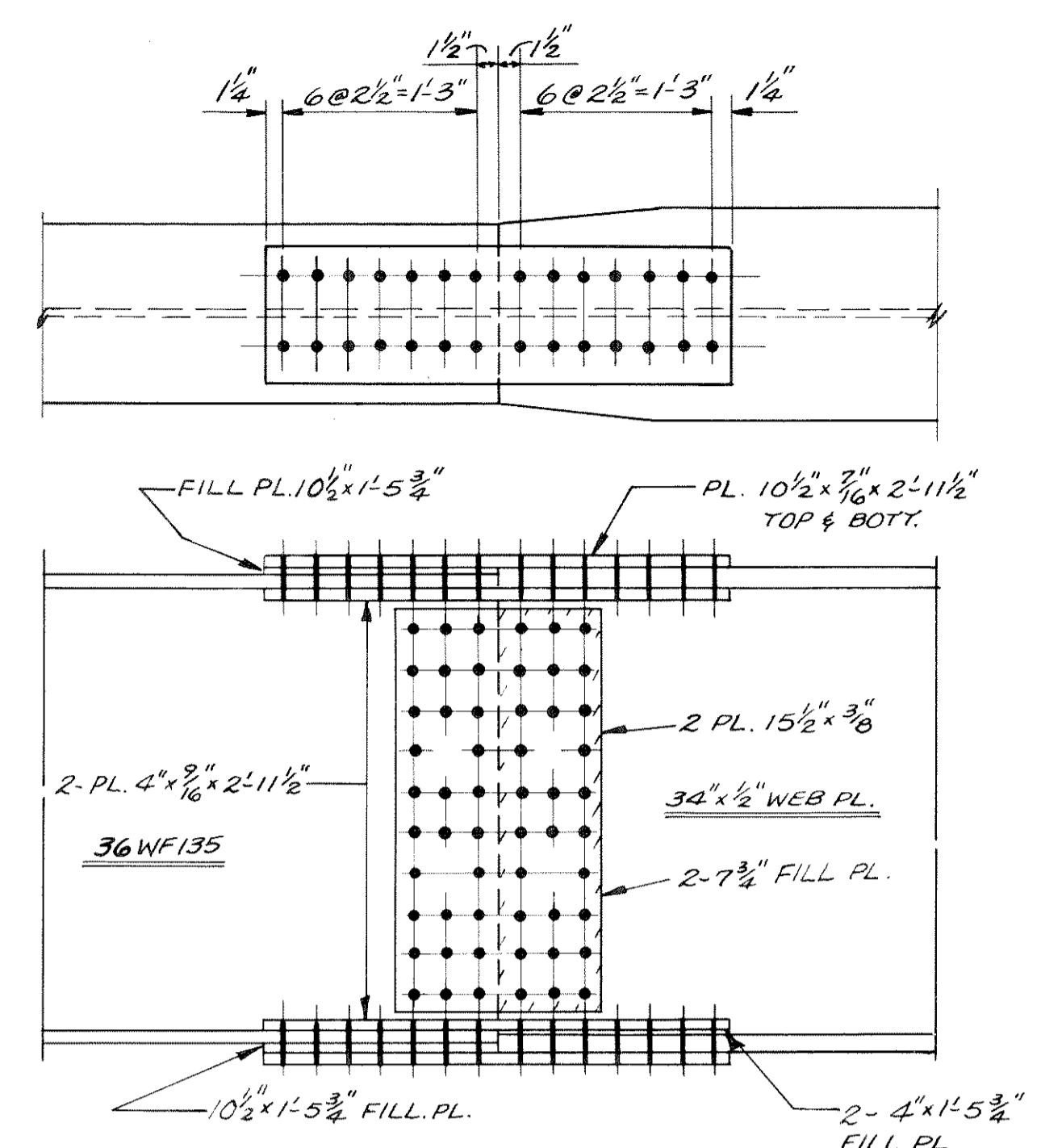
SPLICE A



SPLICE B

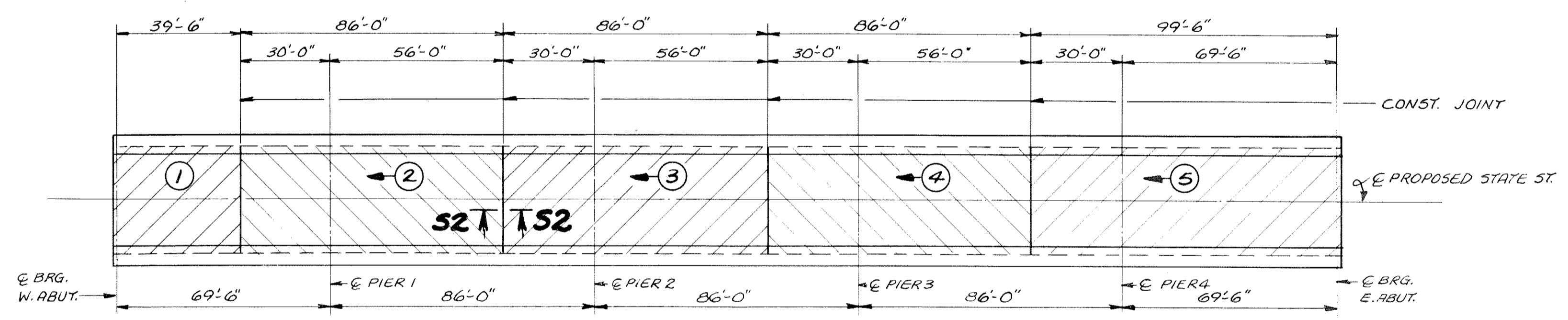


SPLICE C



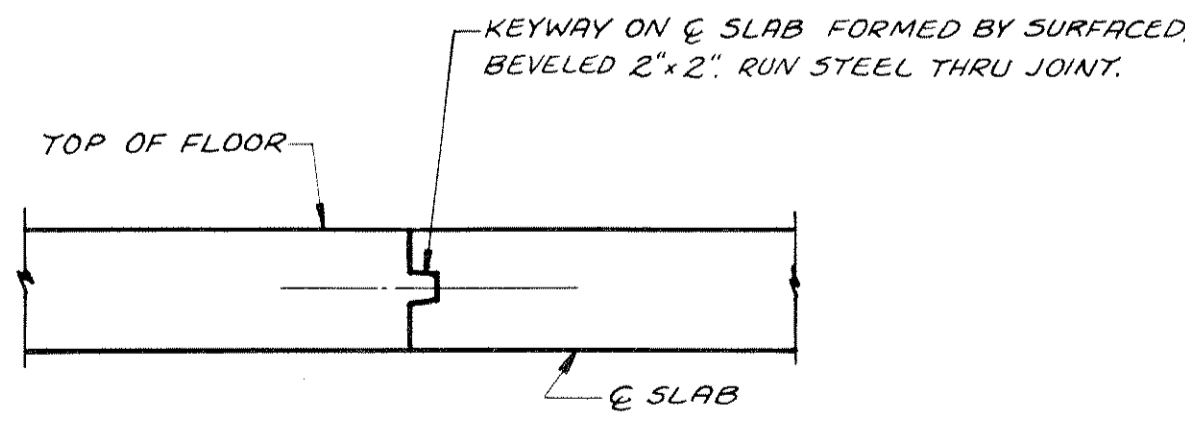
SPLICE D

FIELD SPLICE DETAILS

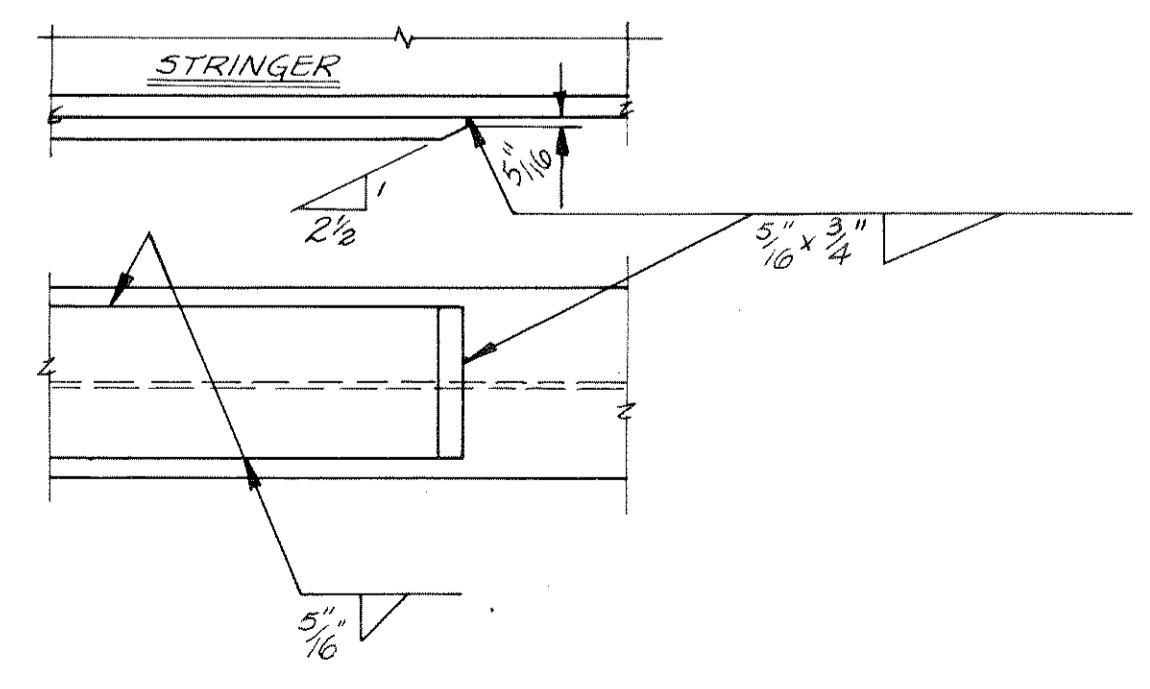


POURING DIAGRAM

NOTE: 2 OR MORE POURS MAY BE COMBINED AND THE TRANSVERSE CONST. JOINTS OMITTED IF THE POUR FOR AN ENTIRE SPAN OR THE PORTION OF A SPAN TO A CONSTRUCTION JOINT CAN BE COMPLETED WITHIN 4 HOURS AFTER CONCRETE OVER THE ADJACENT PIER IS PLACED.
 DIRECTION OF POUR MAY BE REVERSED IF PORTION OF POUR FROM THE PIER CAN BE COMPLETED IN A 4 HOUR PERIOD.

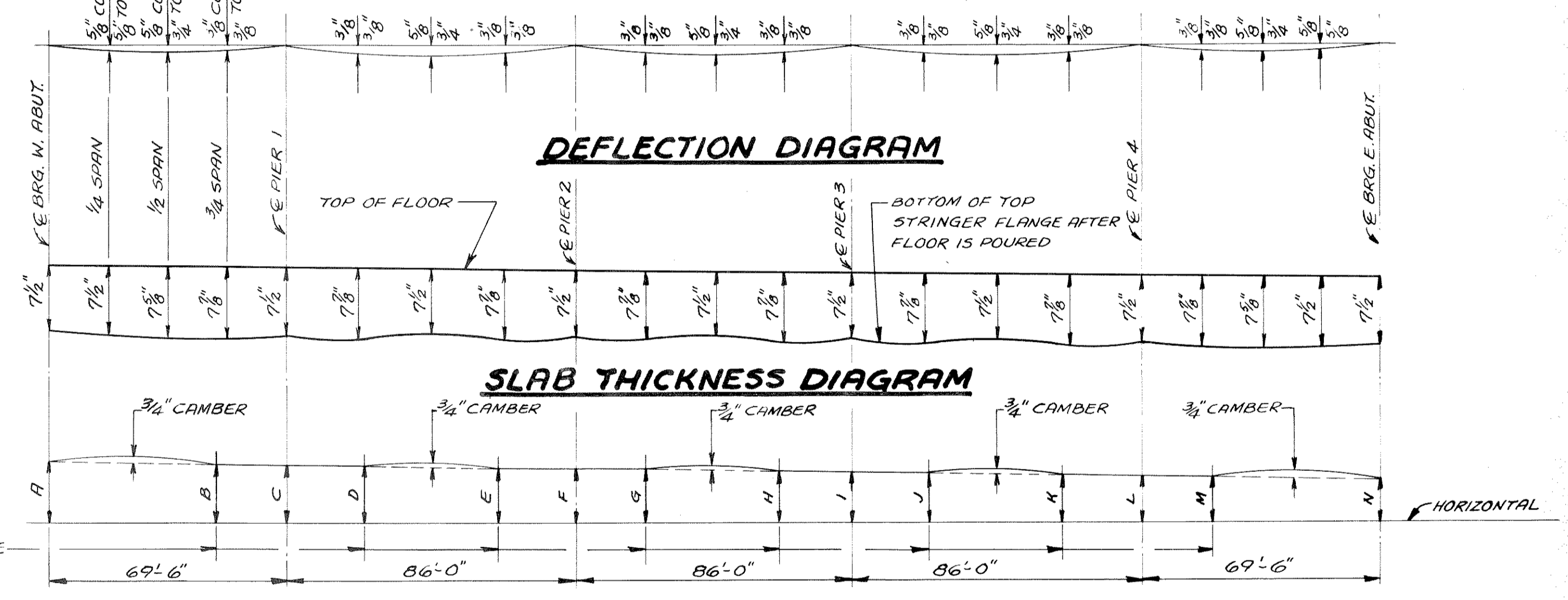


SECTION S2



COVER PLATE TERMINATION

NOTE: BEVELED EDGE TO BE USED ONLY WHERE COVER PLATE DOES NOT PROJECT INTO FIELD SPLICE.



DEFLECTION DIAGRAM

SLAB THICKNESS DIAGRAM

BLOCKING DIAGRAM

DIMENSION	A	B	C	D	E	F	G	H	I	J	K	L	M	N
GIRDERS 1 & 5	4'-3 1/2"	3'-9 1/8"	3'-6 1/2"	3'-3 1/2"	2'-10 1/4"	2'-7 1/2"	2'-4 3/8"	1'-11"	1'-8 3/8"	1'-5 1/2"	1'-0"	0'-9"	0'-6 3/8"	0
GIRDERS 2, 3, & 4	4'-3 1/2"	3'-9 1/8"	3'-6 1/2"	3'-3 5/8"	2'-10 1/8"	2'-7 1/4"	2'-4 1/2"	1'-11"	1'-8 3/8"	1'-5 1/4"	0'-11 7/8"	0'-9"	0'-6 3/8"	0