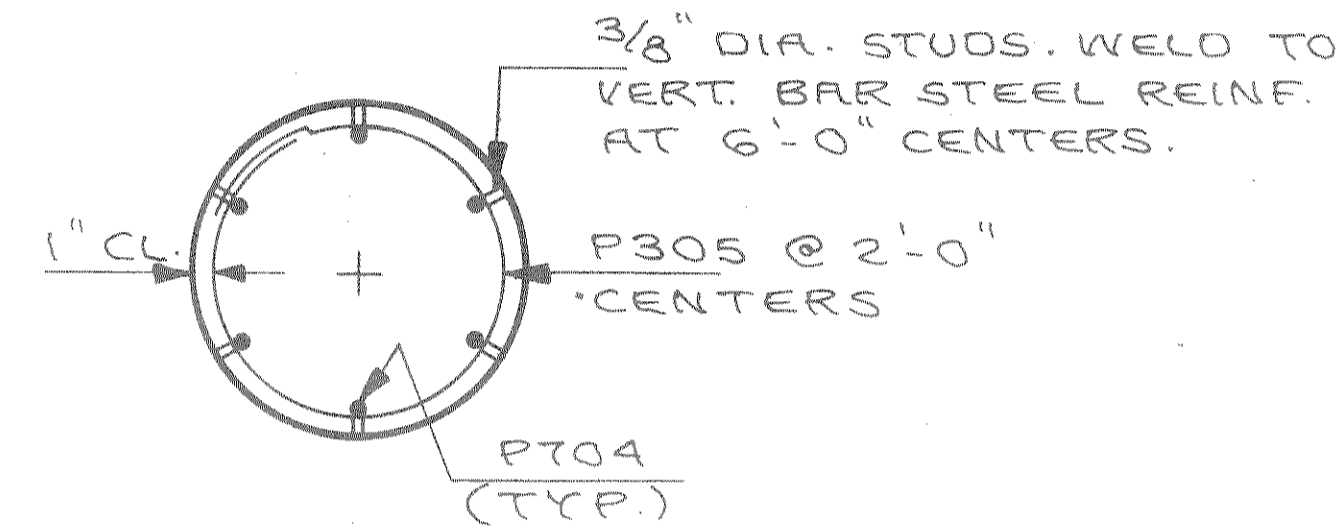


**ELEVATION**  
LOOKING NORTH

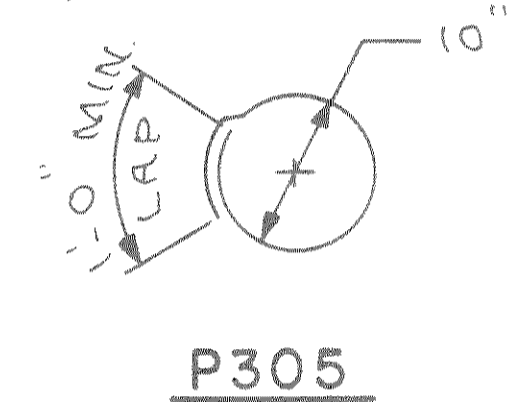
**BILL OF BARS**

MARK	NO. REQ'D.	LENGTH	BENT	LOCATION	TOTAL WEIGHT 2320 LBS.
P501	24	11-0	X	CAP - STIRRUPS	
P802	10	30-7		" - TOP, MIDDLE & BOTTOM - HORIZ.	
P503	30	2-0		" - DOWELS - VERT.	
P704	36	15-0		PILE - VERTICAL	
P305	42	3-8	X	PILE - HORIZONTAL	

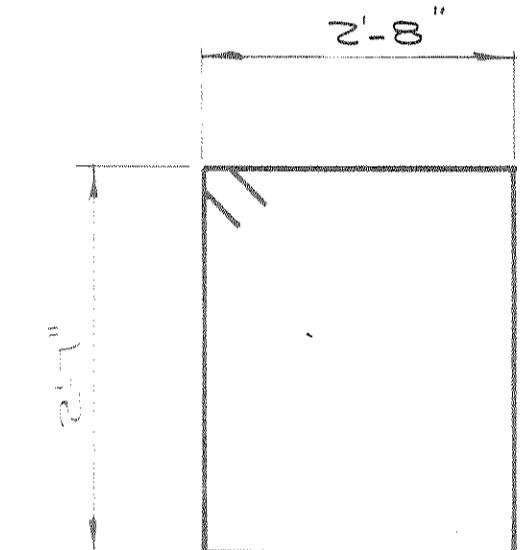
NOTES:  
DIMENSIONS IN BENDING DETAILS ARE OUT TO OUT OF BAR.  
FOR PILE SPICE DETAIL SEE SHEET 6.  
P503 BARS MAY BE PLACED AFTER CONCRETE IS POURED, BUT BEFORE INITIAL SET HAS TAKEN PLACE.



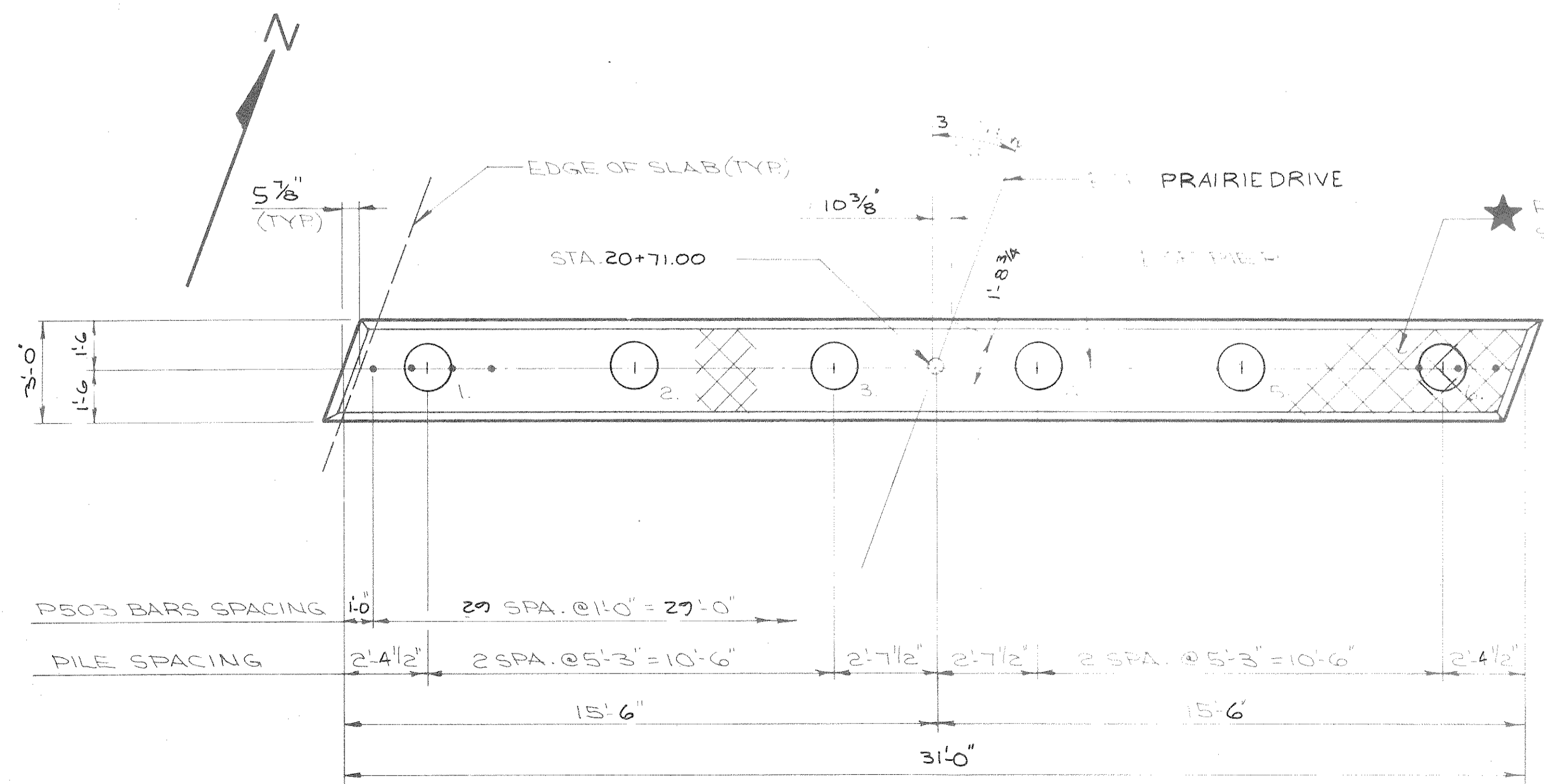
**SECTION THRU PILING**



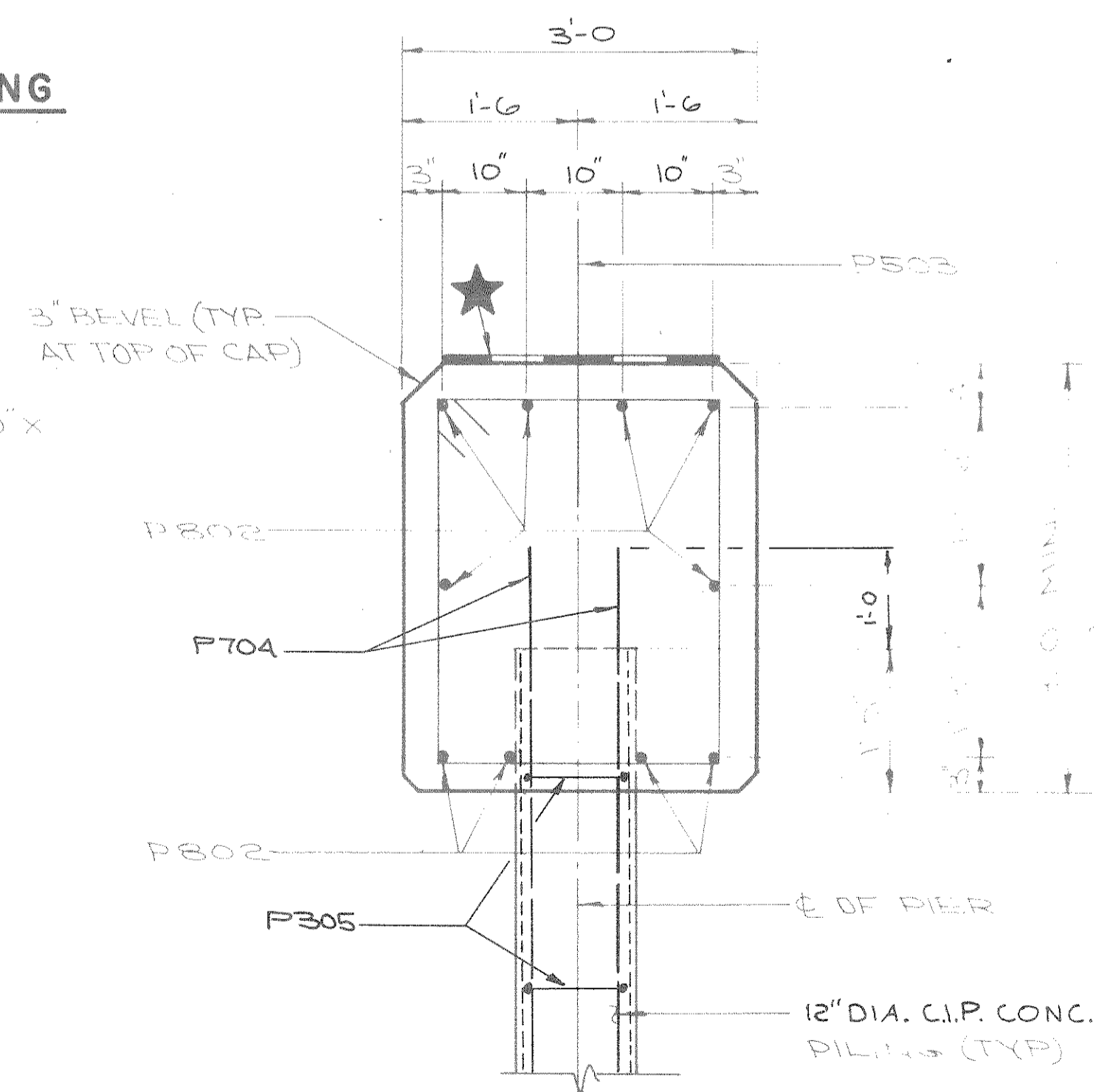
**P305**



**P501**



**PLAN**



**SECTION THRU PIER CAP**

No.	Date	Revision	By
STATE OF WISCONSIN DEPARTMENT OF TRANSPORTATION			
<b>STRUCTURE B-35-92</b>			
Const. Spec.	WIS. 1981	Drawn By	J.A.R.
		Plans Checked	JRL
<b>PIER</b>			SHEET 7 OF 10
			X78811