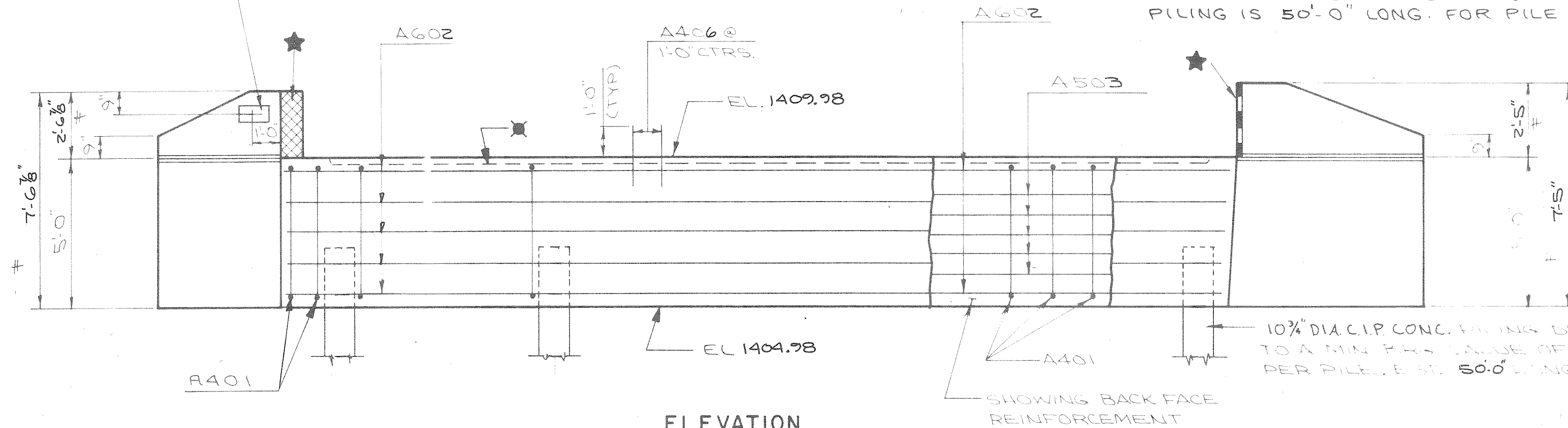


† DIMENSIONS ARE GIVEN AT ABUTMENT BODY.
FOR WING DETAILS AND ELEVATIONS SEE SHEET 6

ABUTMENT PILE NOTE

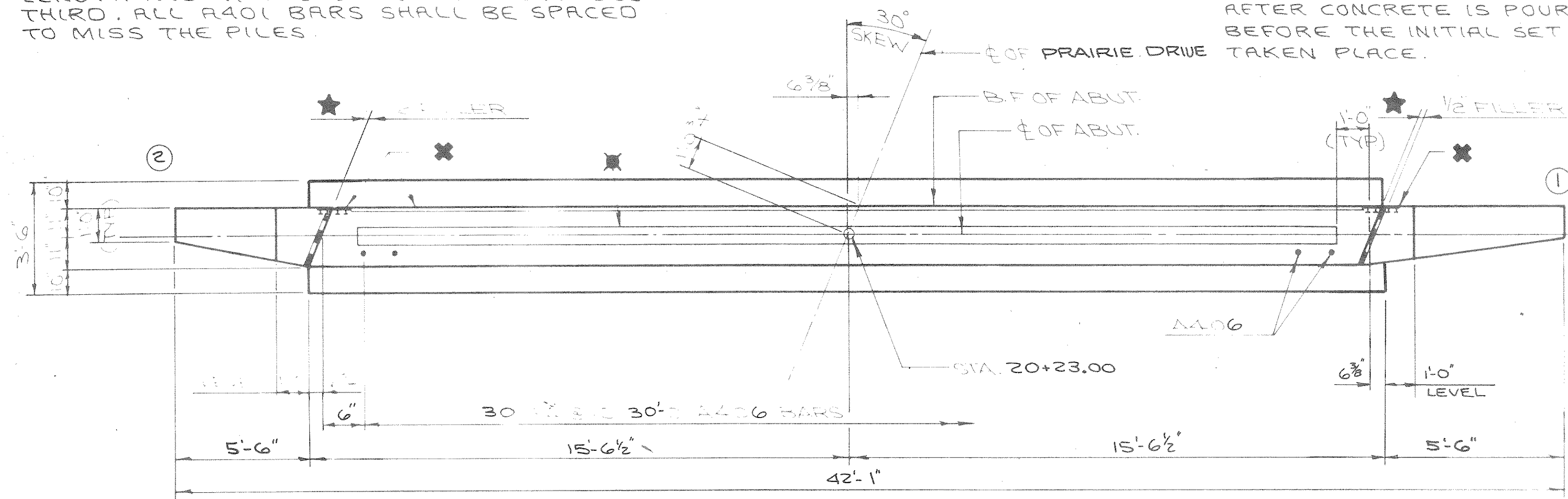
PILING SHALL BE HP 10 3/4" DIA. C.I.P. CONC. PILING DRIVEN TO A MIN. BRG. VALUE OF 40 TONS PER PILE. ESTIMATED LENGTH OF PILING IS 50'-0" LONG. FOR PILE SPLICE SEE SHEET 6



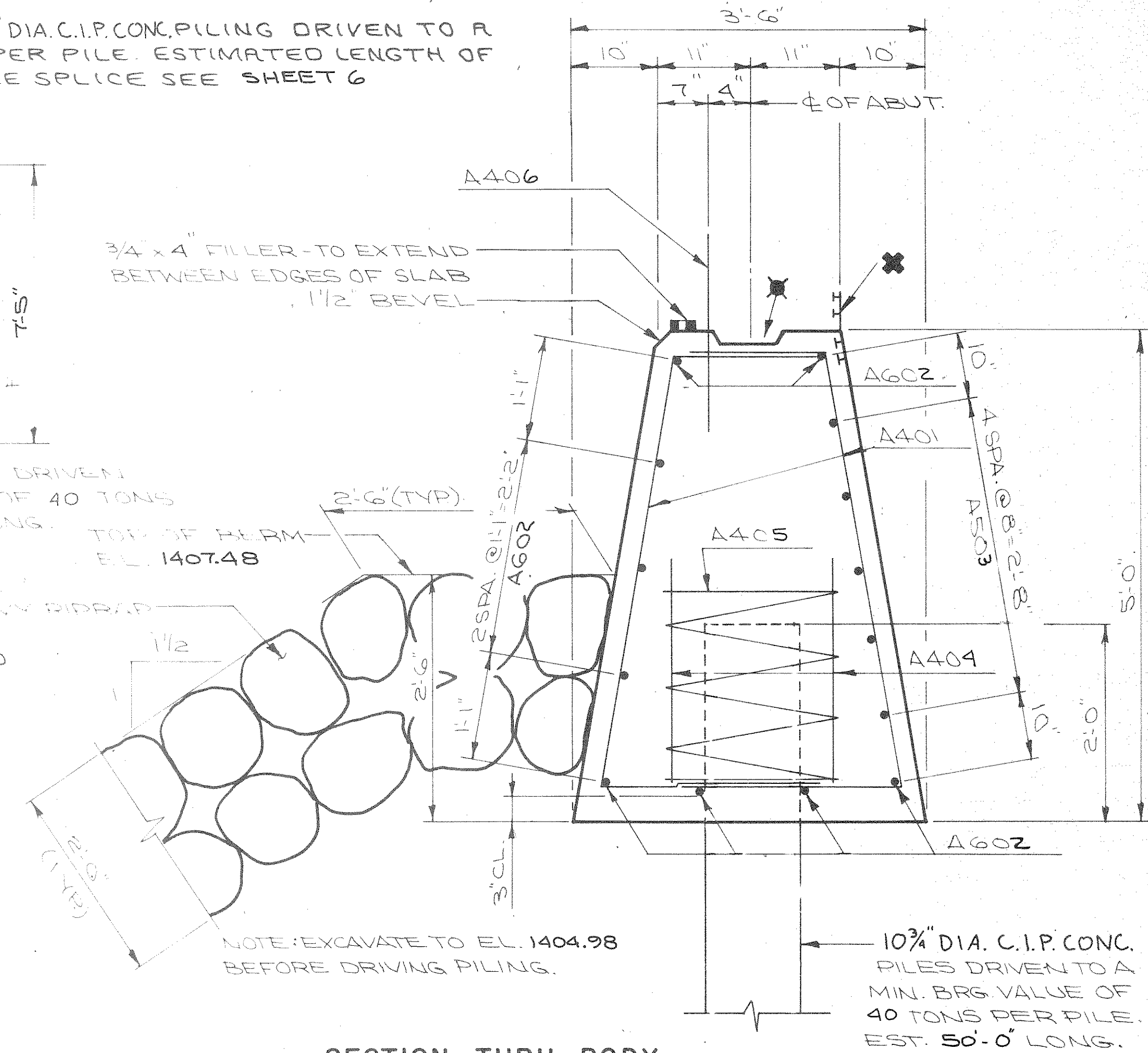
ELEVATION
(LOOKING SOUTH)

THE A401 BARS SHALL BE SPACED AT 9" CTRS. IN THE OUTSIDE THIRD'S OF BODY LENGTH AND AT 1'-6" CTRS. IN THE MIDDLE THIRD. ALL A401 BARS SHALL BE SPACED TO MISS THE PILES.

NOTE: A406 BARS MAY BE PLACED AFTER CONCRETE IS POURED, BUT BEFORE THE INITIAL SET HAS TAKEN PLACE.



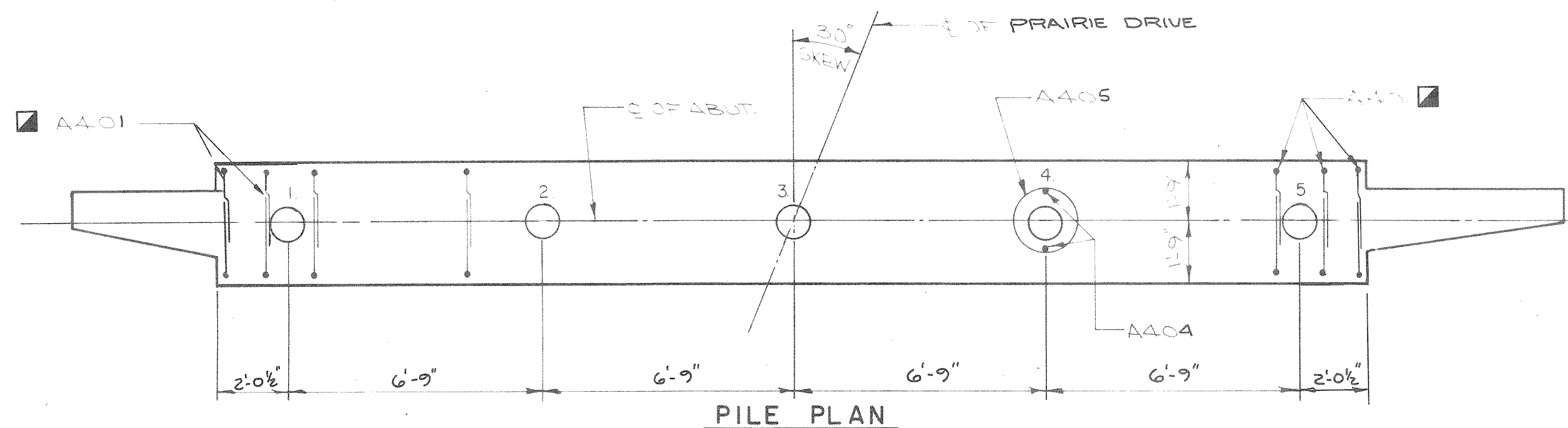
PLAN



SECTION THRU BODY

LEGEND

- ★ 1/2" FILLER - TO EXTEND AS SHOWN. SEAL ALL EXPOSED HORIZONTAL AND VERTICAL SURFACES OF FILLER WITH NON-STAINING GRAY NON-BITUMINOUS JOINT SEALER (1" DEEP AND HOLD 1/8" BELOW SURFACE OF CONCRETE)
- ✱ POLYVINYL CHLORIDE WATERSTOP (P.C.W.) - TO EXTEND HORIZONTAL BETWEEN WINGS AND VERTICAL FROM TOP OF ABUTMENT BODY TO TOP OF WING. (HOLD FLUSH WITH FACE OF CONCRETE.) FOR DETAIL SEE SHEET 6. P.C.W. SHALL BE BUTT-SPLICED, AT JUNCTIONS, BY USING A SPLICING IRON. PLACE A SEALER, SIMILAR TO THE ONE DESCRIBED ABOVE, BETWEEN THE 1/2" FILLER AND THE P.C.W. EXTENDING TO WITHIN 3" FROM THE GUTTER LINE. SEAL ALL VERT. ENDS WITH A SIMILAR SEALER.
- KEYED CONSTRUCTION JOINT FORMED BY A SURFACED, BEVELED 2" x 6"



PILE PLAN

No.	Date	Revision	By
STATE OF WISCONSIN DEPARTMENT OF TRANSPORTATION			
STRUCTURE B-35-92			
Const. Spec.	WIS. 1981	Drawn By	LEN
		Plans Checked	JRL
SOUTH ABUTMENT			SHEET 4 OF 10 X78808