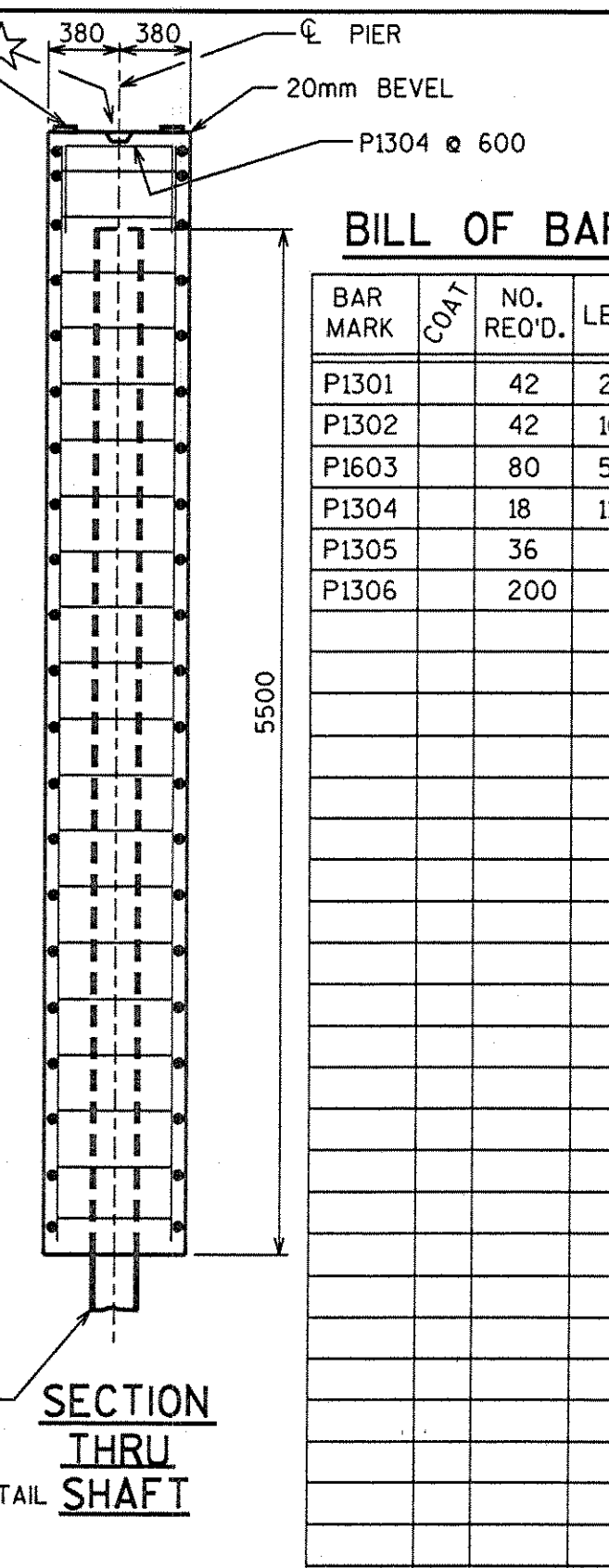
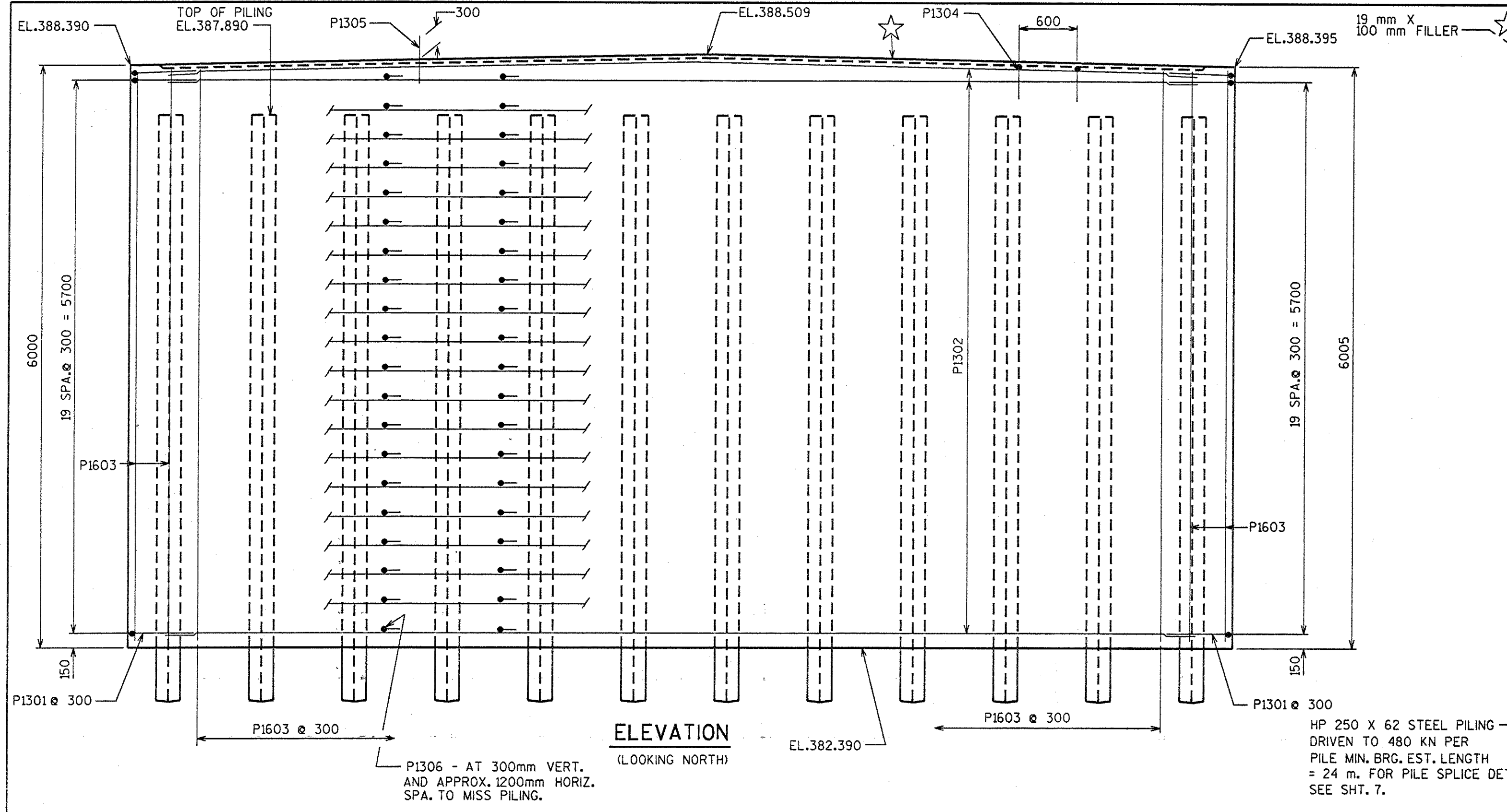
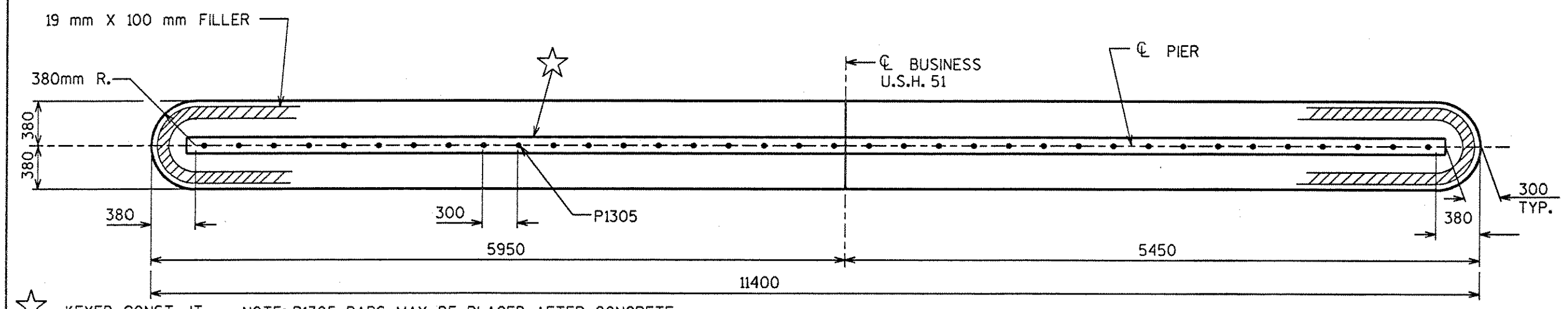


STATE PROJECT NUMBER	SHEET NO.
9675-05-70	8.



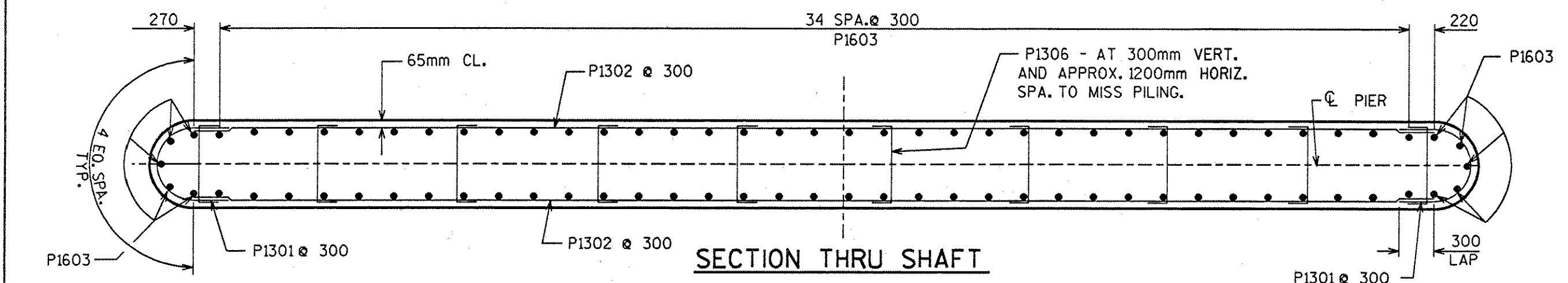
BILL OF BARS NOTE: THE FIRST TWO DIGITS OF THE BAR MARK SIGNIFIES THE BAR SIZE.

BAR MARK	COU'T	NO. REQ'D.	LENGTH	BENT	BAR SERIES	LOCATION
P1301		42	2605	X		SHAFT - ENDS
P1302		42	10640			SHAFT - HORIZ.
P1603		80	5900			SHAFT - VERT.
P1304		18	1170	X		SHAFT - VERT. - TOP
P1305		36	600			SHAFT - VERT. - DOWELS
P1306		200	770	X		SHAFT - HORIZ. - TIES

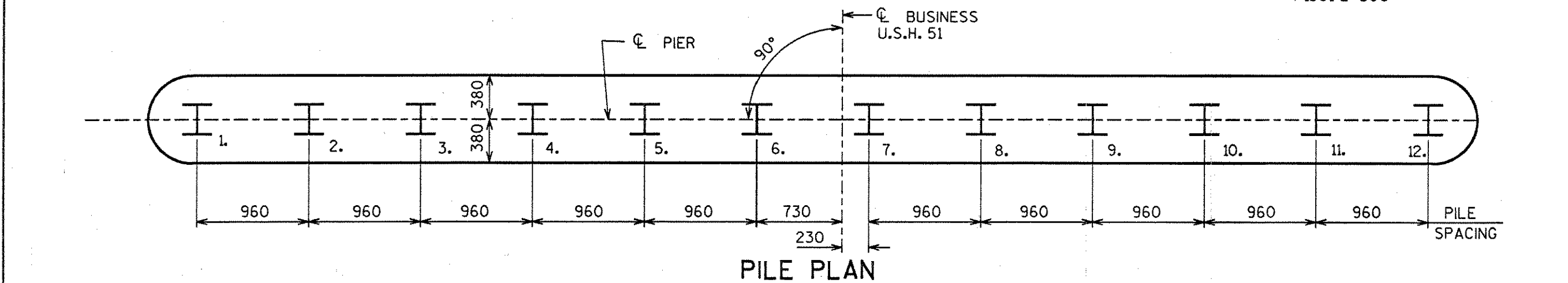


★ KEYED CONST. JT. - FORMED BY SURF., BEVELED 38 mm X 140 mm. NOTE: P1305 BARS MAY BE PLACED AFTER CONCRETE HAS BEEN POURED, BUT BEFORE INITIAL SET HAS TAKEN PLACE.

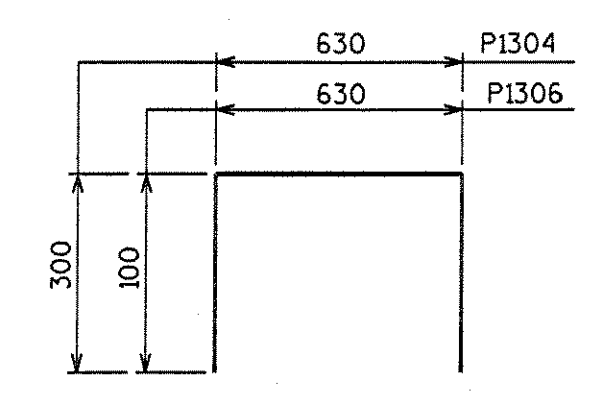
PLAN



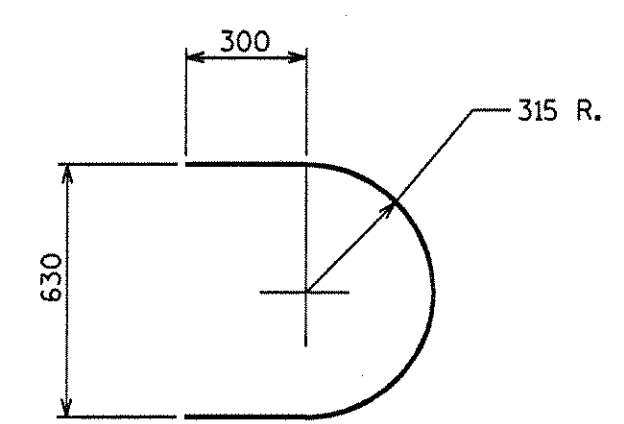
SECTION THRU SHAFT



PILE PLAN



**P1304
P1306**



P1301

NO.	DATE	REVISION	BY
STATE OF WISCONSIN DEPARTMENT OF TRANSPORTATION DIVISION OF HIGHWAYS			
STRUCTURE B-35-103			
CONST. SPEC.	1996	DRAWN BY	B.W.
		PLANS CK'D.	
PIER			SHEET 6

FILE= BR B35103:103PIER.DGN