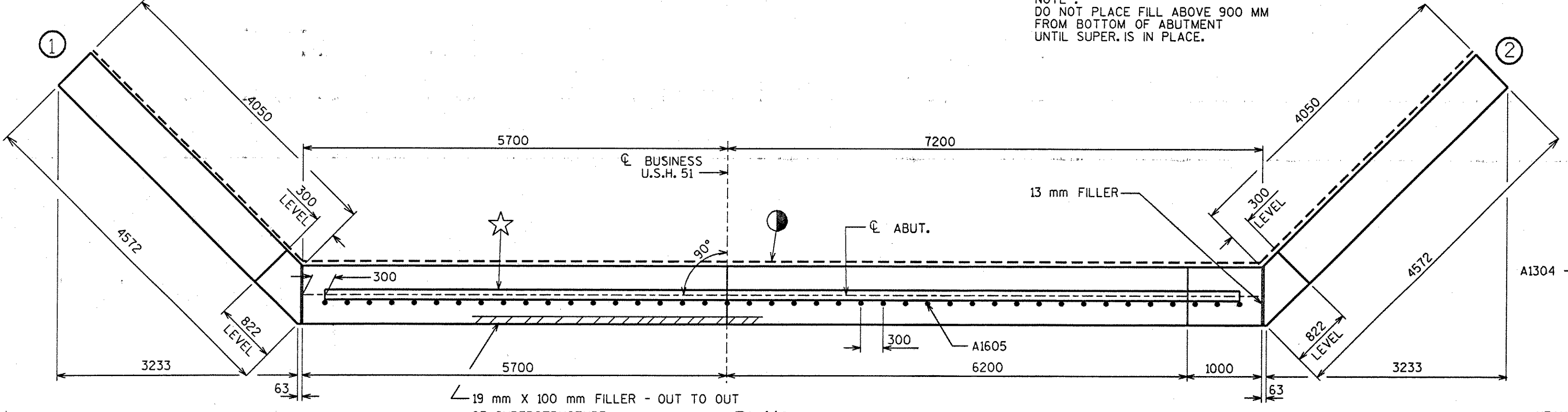


NOTE: SEAL ALL EXPOSED SURFACES OF 13 mm FILLER WITH NON-STAINING GRAY NON-BITUMINOUS JOINT SEALER. (25 mm DEEP AND 3 mm BELOW SURFACE OF CONC.)

ELEVATION (LOOKING SOUTH)

NOTE: DO NOT PLACE FILL ABOVE 900 mm FROM BOTTOM OF ABUTMENT UNTIL SUPER. IS IN PLACE.

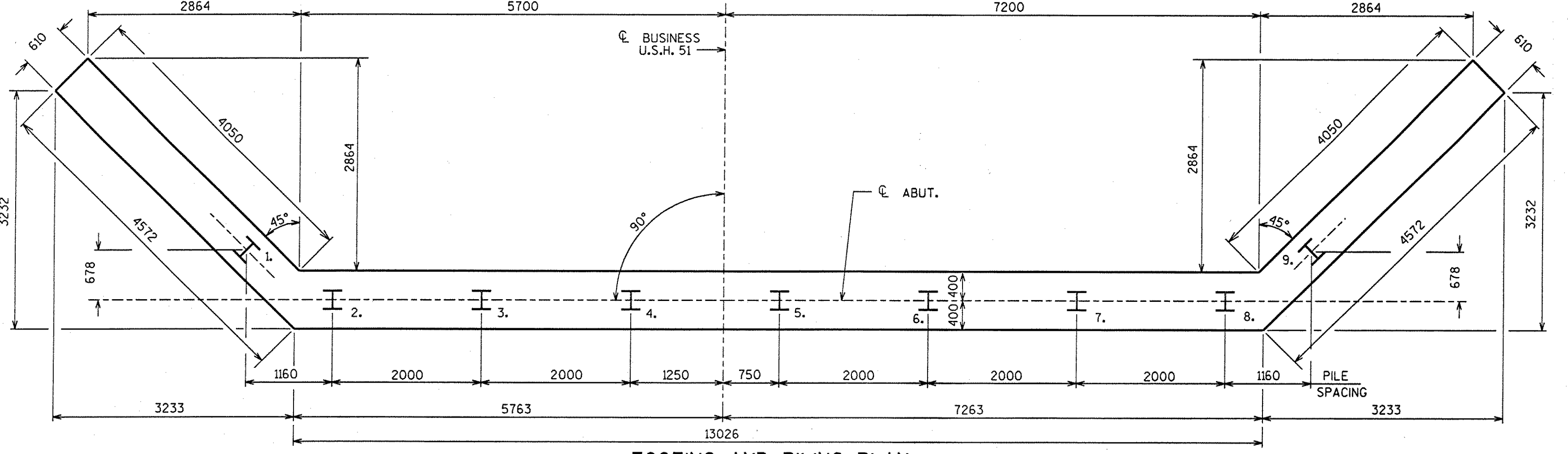


PLAN

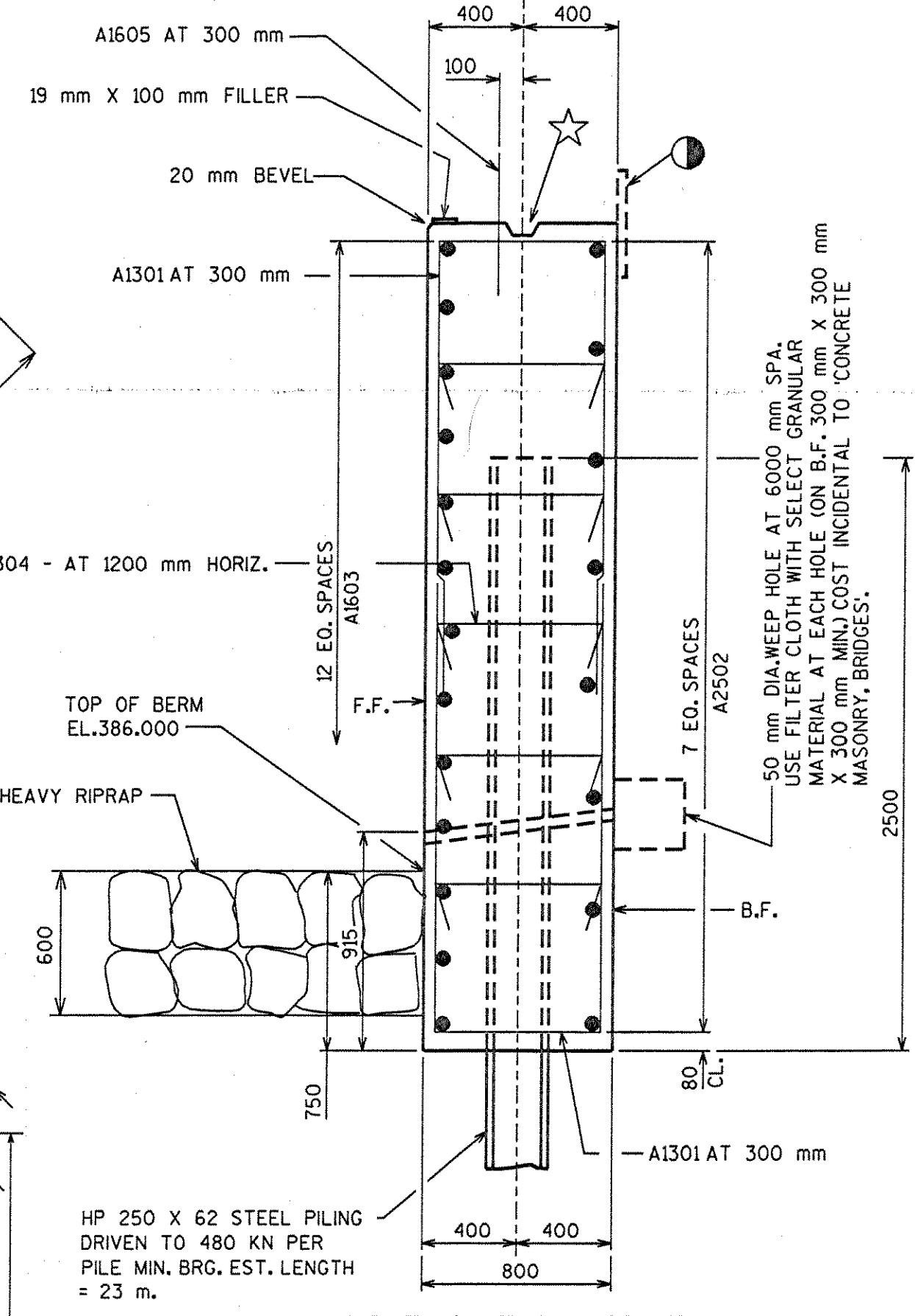
457 mm RUBBERIZED MEMBRANE WATERPROOFING.

KEYED CONST. JT. - FORMED BY SURF., BEVELED 38 mm X 140 mm.

NOTE: A1305 BARS MAY BE PLACED AFTER CONCRETE HAS BEEN POURED, BUT BEFORE INITIAL SET HAS TAKEN PLACE.



FOOTING AND PILING PLAN



SECTION THRU ABUT.

NO.	DATE	REVISION	BY
STATE OF WISCONSIN DEPARTMENT OF TRANSPORTATION DIVISION OF HIGHWAYS			
STRUCTURE B-35-103			
CONST. SPEC.	1996	DRAWN BY B.W.	PLANS CK'D.
SOUTH ABUTMENT			SHEET 4

FILE - BR B35103103SA.DGN