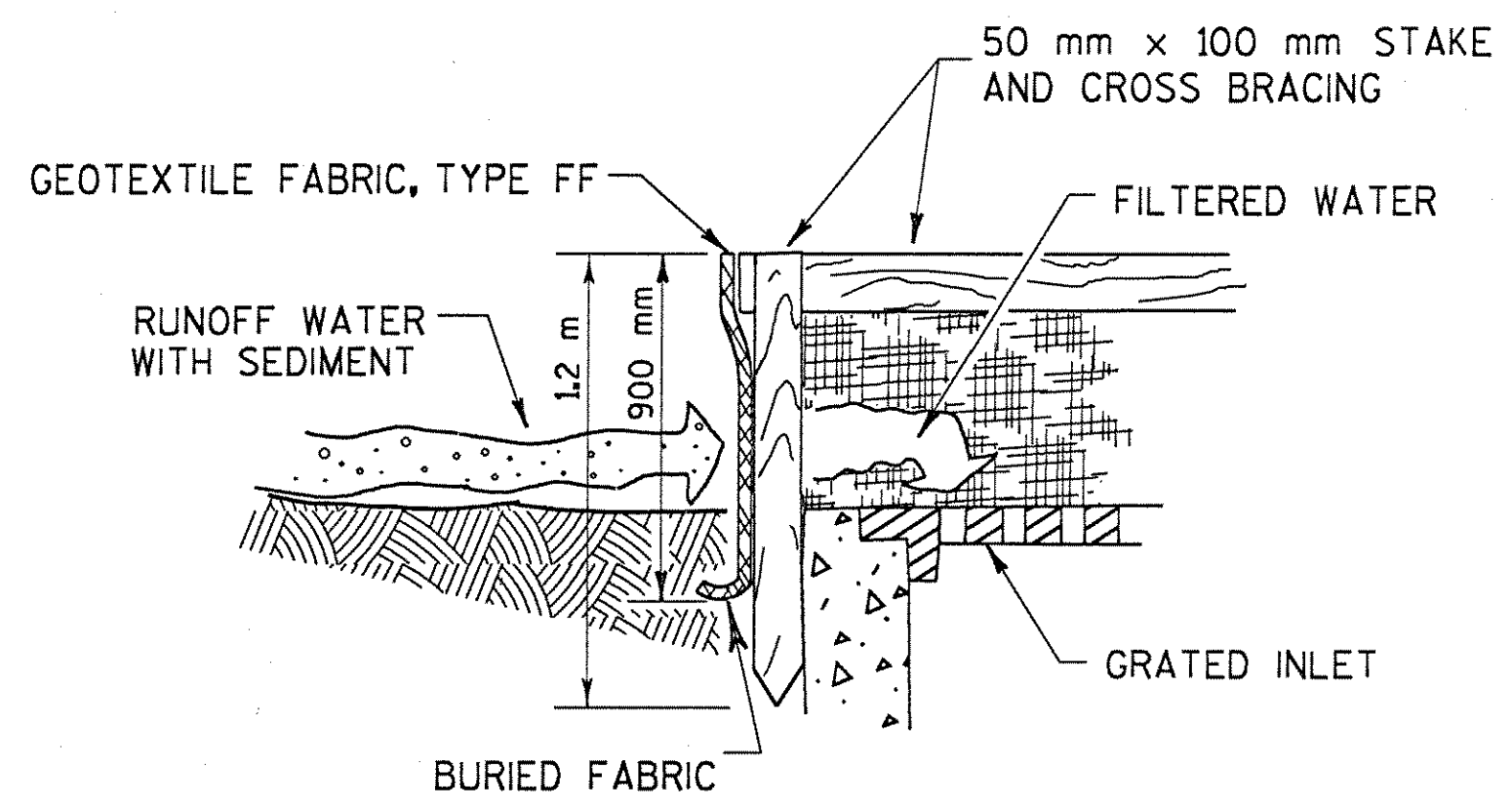
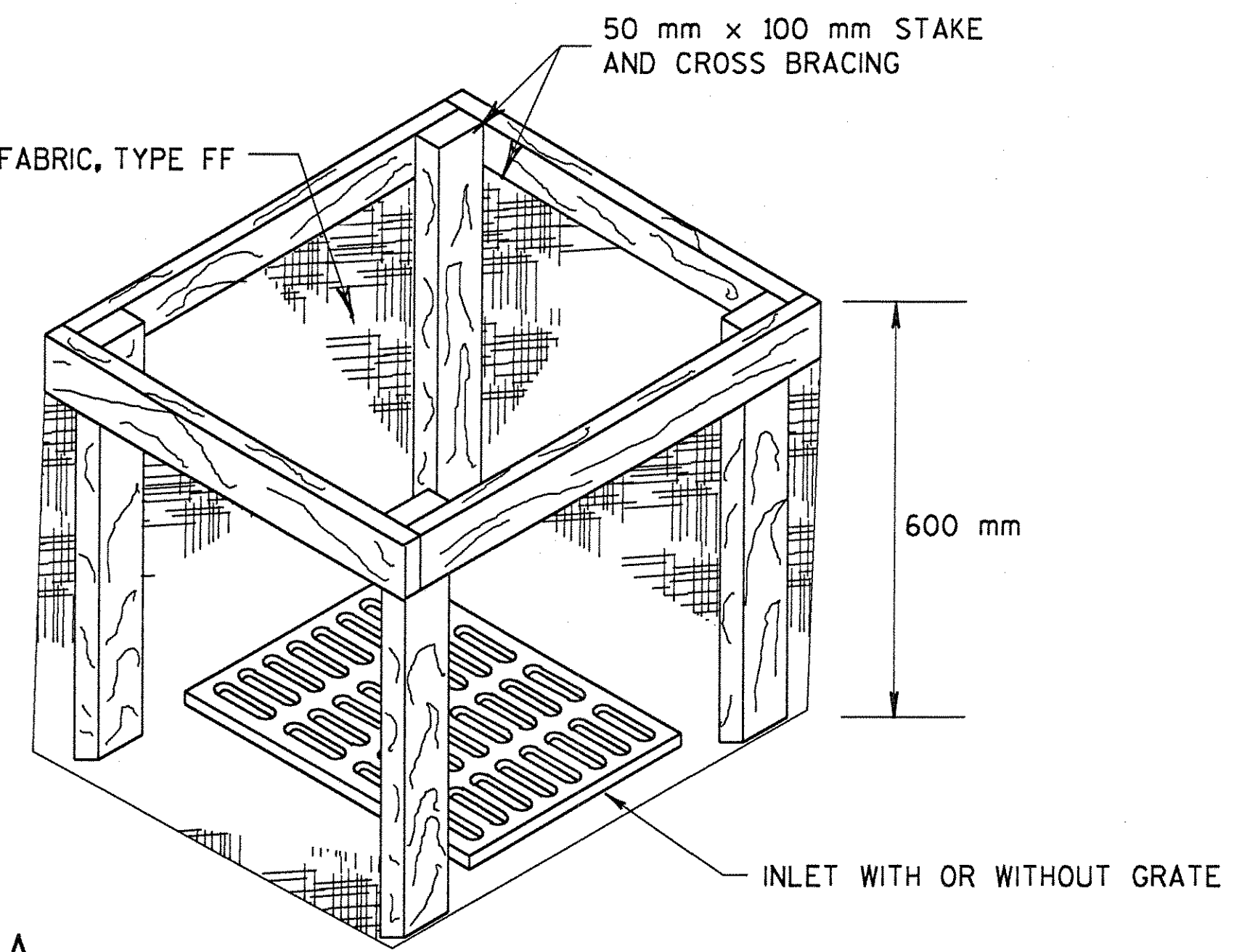


FILE NAME: D7 967505:96750524.DGN
 LEVELS ON - 1, 2, 3, 4, 5, 6, 7, 8, 9, 10, 11, 12, 13, 14, 15, 16, 17, 18, 19, 20, 21, 22, 23, 24, 25, 26, 27, 28, 29, 30, 31, 32, 33, 34, 35, 36, 37, 38, 39, 40, 41, 42, 43, 44, 45, 46, 47, 48, 49, 50, 51, 52, 53, 54, 55, 56, 57, 58, 59, 60, 61, 62, 63
 ORIGINATOR: DISTRICT 7 RHINELANDER
 REV. DATE: 04-24-97 PLOT SCALE: 1:0000000.0000000
 PLOT DATE: 24-APR-1997 14:21

NOTE: ATTACH GEOTEXTILE FABRIC, TYPE FF TO THE TOP OF STAKES AND CROSS BRACINGS.

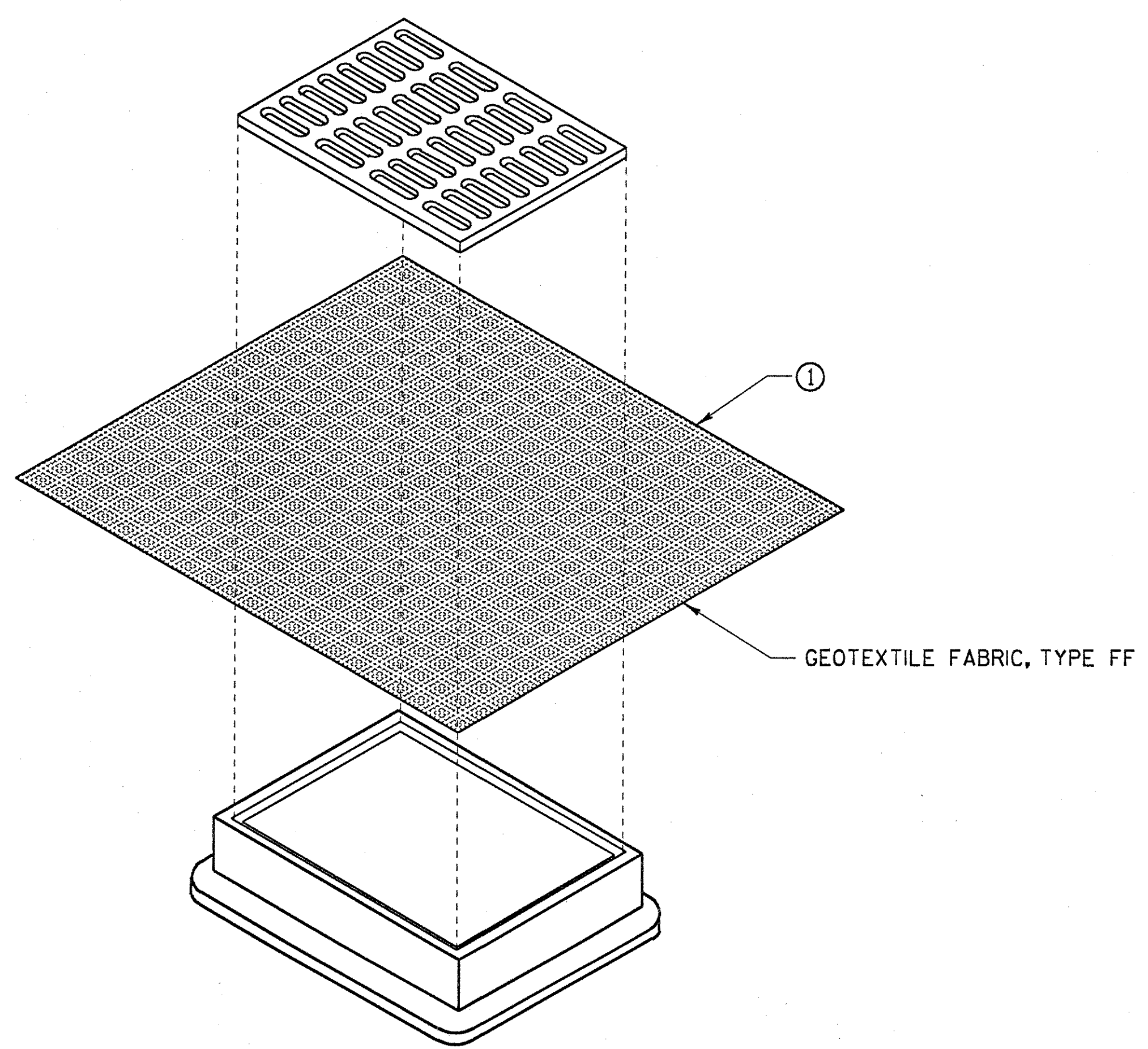


INLET PROTECTION, TYPE A

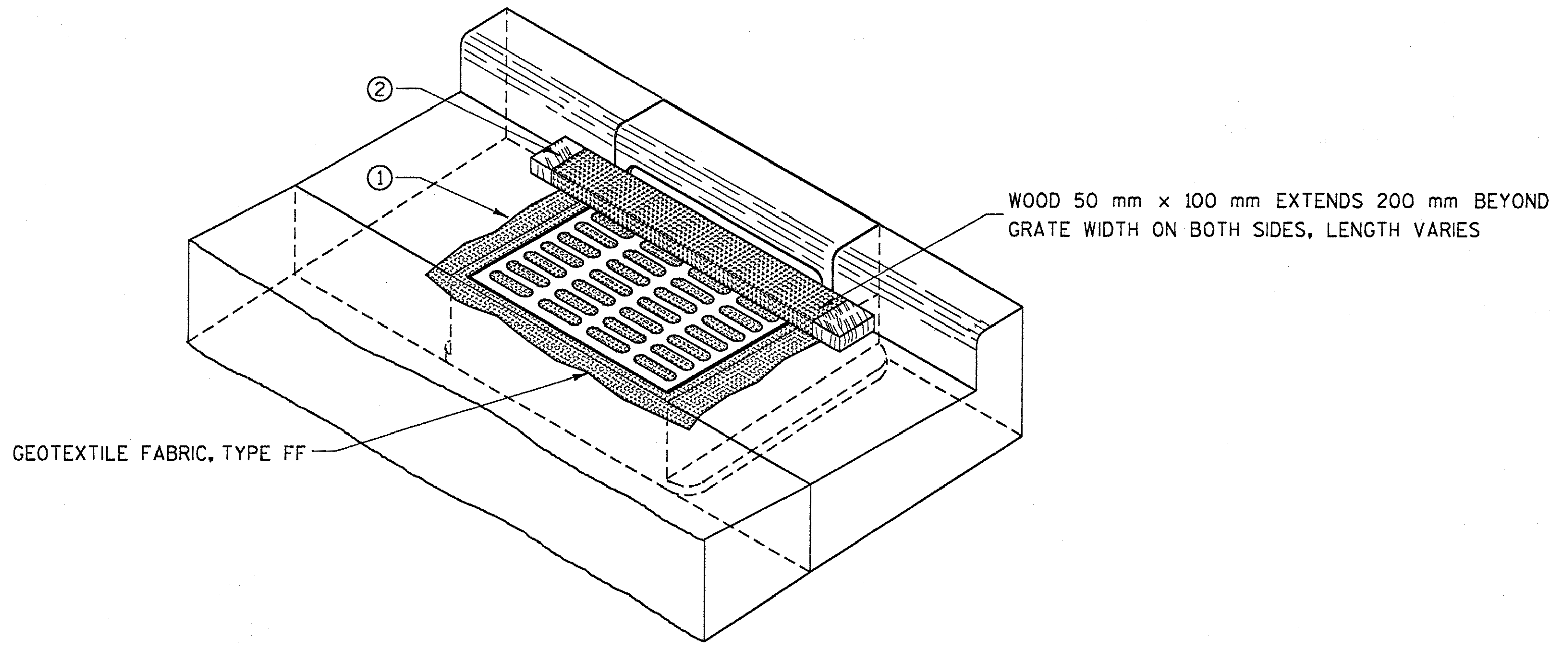


GENERAL NOTES:

- FABRIC SHALL BE REPLACED AT THE ENGINEERS DISCRETION.
 - THE WOOD SHALL NOT BLOCK THE ENTIRE HEIGHT OF THE CURB BOX.
 - MANUFACTURED ALTERNATIVES APPROVED AND LISTED ON THE DEPARTMENT'S EROSION CONTROL PRODUCT ACCEPTABILITY LIST MAY BE SUBSTITUTED.
 - WHEN REMOVING OR MAINTAINING INLET PROTECTION, CARE SHALL BE TAKEN SO THAT THE SEDIMENT TRAPPED ON THE GEOTEXTILE FABRIC DOES NOT FALL INTO THE INLET. ANY MATERIAL FALLING INTO THE INLET SHALL BE REMOVED IMMEDIATELY.
- ① FABRIC SIZE SHALL BE 200 mm (MIN) GREATER ON ALL SIDES OF THE INLET COVER TO PROVIDE A HAND HOLD WHEN MAINTENANCE OR REMOVAL IS REQUIRED.
 - ② FOR INLET PROTECTION, TYPE C, WITH A CURB BOX, AN ADDITIONAL 450 mm OF FABRIC IS WRAPPED AROUND THE WOOD AND SECURED WITH STAPLES.



INLET PROTECTION, TYPE B (WITHOUT CURB BOX)
 (CAN BE INSTALLED ON ANY INLET TYPE)



INLET PROTECTION, TYPE C (WITH CURB BOX)