

### GENERAL NOTES

EXCAVATION BELOW SUBGRADE (EBS) IS NOT USED TO BALANCE YARDAGE AND IS NOT SHOWN ON THE CROSS SECTIONS BUT IS MEASURED AND PAID FOR AS UNCLASSIFIED EXCAVATION. THE LOCATION OF EBS WILL BE DETERMINED BY THE ENGINEER.

THE LOCATIONS OF EXISTING AND PROPOSED UTILITY INSTALLATIONS AS SHOWN ON THE PLANS ARE APPROXIMATE. THERE MAY BE OTHER UTILITY INSTALLATIONS WITHIN THE PROJECT AREA THAT ARE NOT SHOWN.

DISTURBED AREAS WITHIN THE RIGHT OF WAY, EXCLUSIVE OF THE ROADBED, ARE TO BE FERTILIZED AND SEED AS DIRECTED BY THE ENGINEER.

SHRINKAGE IS ESTIMATED AT 30% BASED ON VOLUME OF FILL.

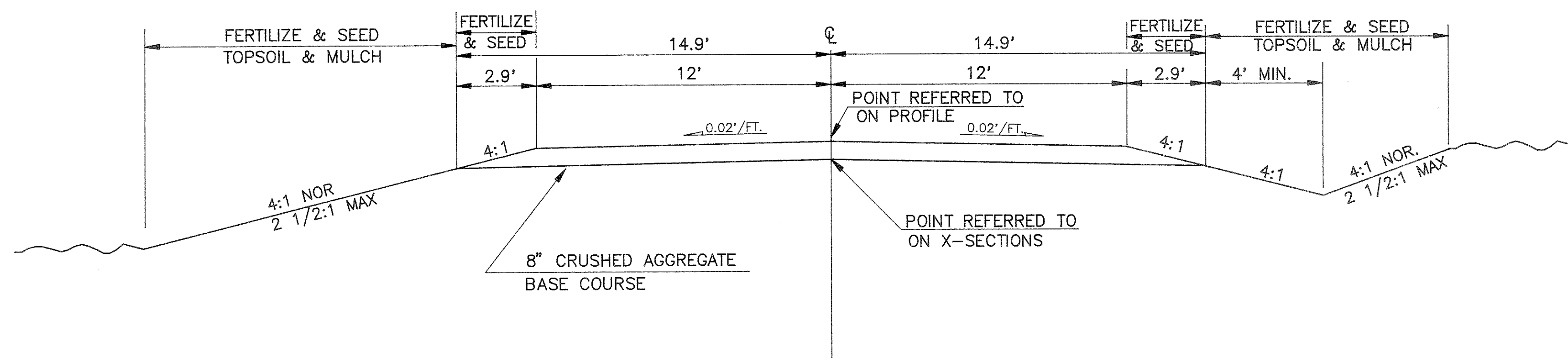
SEED MIXTURE NUMBER 10 SHALL BE USED.

EXACT LOCATION OF ENTRANCES SHALL BE DETERMINED BY THE ENGINEER IN THE FIELD.

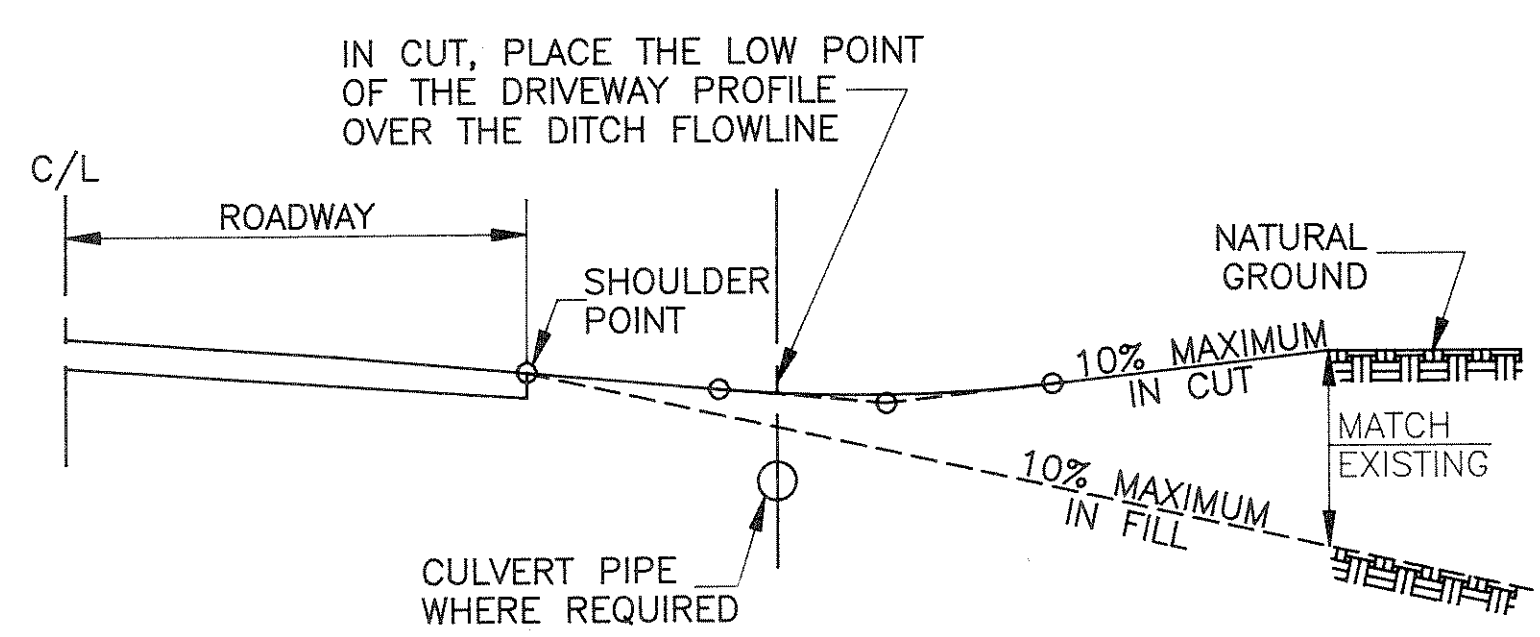
WHEN THE QUANTITY OF BASE COURSE IS MEASURED FOR PAYMENT BY THE CUBIC YARD, THE DEPTH OR THICKNESS OF THE COURSE SHOWN ON THE PLAN IS APPROXIMATE AND THE ACTUAL THICKNESS WILL DEPEND ON THE DISTRIBUTION OF THE MATERIAL AS DIRECTED BY THE ENGINEER.

NO TREES (AND/OR SHRUBS) ARE TO BE REMOVED WITHOUT APPROVAL OF THE ENGINEER.

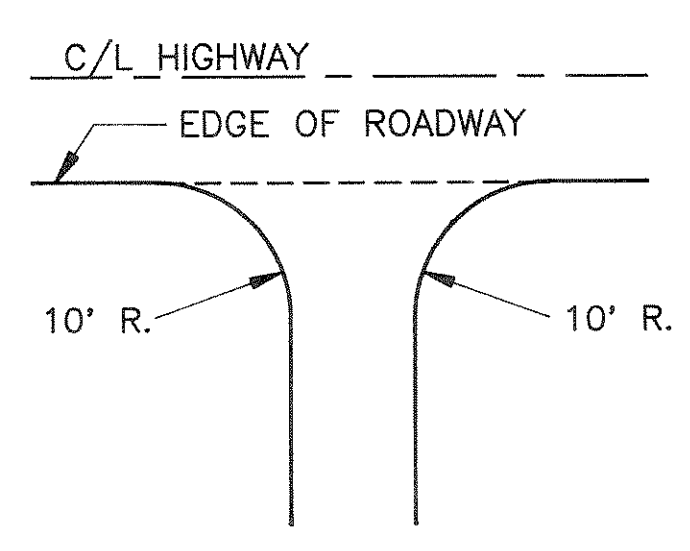
ORIGIN OF LEVELS - A CHISELED SQUARE ON WEST END OF SOUTH CONCRETE HEADWALL OF BRIDGE OVER PRAIRIE RIVER ALONG C.T.H. "J" ABOUT 0.1 MILE EAST OF SECTION CORNERS 1, 6, 31 AND 36, TOWNSHIPS 32 AND 33 NORTH, RANGES 7 AND 8 EAST. ELEV. 1418.00 FT.



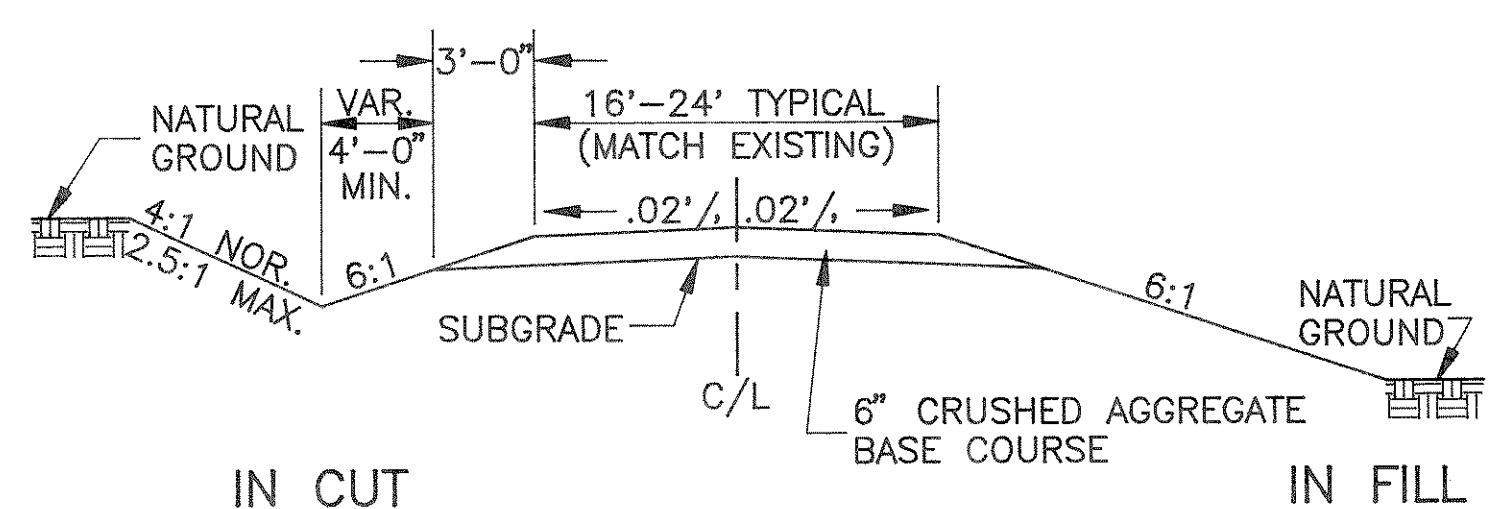
TYPICAL CROSS SECTION



TYPICAL DRIVEWAY PROFILES



PLAN VIEW  
RURAL DRIVEWAY INTERSECTION DETAIL



TYPICAL CROSS SECTION FOR PRIVATE DRIVE

### STANDARD DETAIL DRAWINGS

- 8E7-1 EROSION MAT
- 8E8-1 TYPICAL INSTALLATIONS OF EROSION BALES
- 8E9-3 SILT FENCE
- 8F1-10a APRON ENDWALLS FOR CULVERT PIPE
- 12A3-4 NAME PLATE - STRUCTURES
- 15C1-7 CONSTRUCTION BARRICADES AND STANDARD SIGNS
- 15C2-1 TRAFFIC CONTROL TO CLOSE HIGHWAY UNDER CONSTRUCTION

### UTILITIES

UNIVERSAL TELEPHONE COMPANY  
OF NORTHERN WISCONSIN  
ATTN: WILMER AHRENHOLZ  
P.O. BOX 78  
HAWKINS, WI 54530  
(715)585-6301

WPS  
ATTN: ROGER WEEGE  
3200 EAST MAIN STREET  
MERRILL, WI 54452  
(715)536-5541

### DETAIL SUMMARY OF MISCELLANEOUS QUANTITIES

#### CRUSHED AGGREGATE BASE COURSE

STATION TO STATION	LOCATION	C.Y.
12+00 - 14+73	MAINLINE	243
15+11 - 17+50	MAINLINE	213
12+54	P.E. LT.	11
13+75	P.E. LT.	11
15+85	F.E. RT.	12

#### TOPSOIL, FERTILIZER, SEED & MULCH

LOCATION	TOPSOIL SQ. YD.	FERTILIZER CWT. (TYPE B)	SEEDING POUND	MULCHING SQ. YD.
STA. 12+00 TO STA. 14+73	360	0.5	6	360
STA. 15+11 TO STA. 17+50	170	0.5	4	170

#### PRIVATE ENTRANCE PIPES

STATION	LOCATION	DIA. (IN)	LENGTH (L.F.)	TYPE	RCCP (CLASS)	THICKNESS (INCHES) STEEL	ALUMINUM	APRON ENDWALLS
12+54	P.E. LT.	18	24	C.P.	III	0.064	0.075	2
13+75	P.E. LT.	18	24	C.P.	III	0.064	0.075	2
15+85	F.E. RT.	18	24	C.P.	III	0.064	0.075	2

#### WOOD POSTS, 4X4-INCH X 10 FT.

STATION	LOCATION	EACH
14+73	LT. & RT.	2
15+11	LT. & RT.	2

#### SIGNS, TYPE II, REFLECTIVE

STATION	LOCATION	S.F.
14+73	LT. & RT.	6
15+11	LT. & RT.	6

#### SILT FENCE (SILTY SOILS)

STATION TO STATION	DELIVERED & INSTALLED L.F.	MAINTENANCE L.F.
14+00 - 14+50 RT.	50	20
15+15 - 15+50 LT.	35	15

#### CLEARING

LOCATION	STA.	STA.
13+00 - 14+00	1	1

#### EROSION MAT

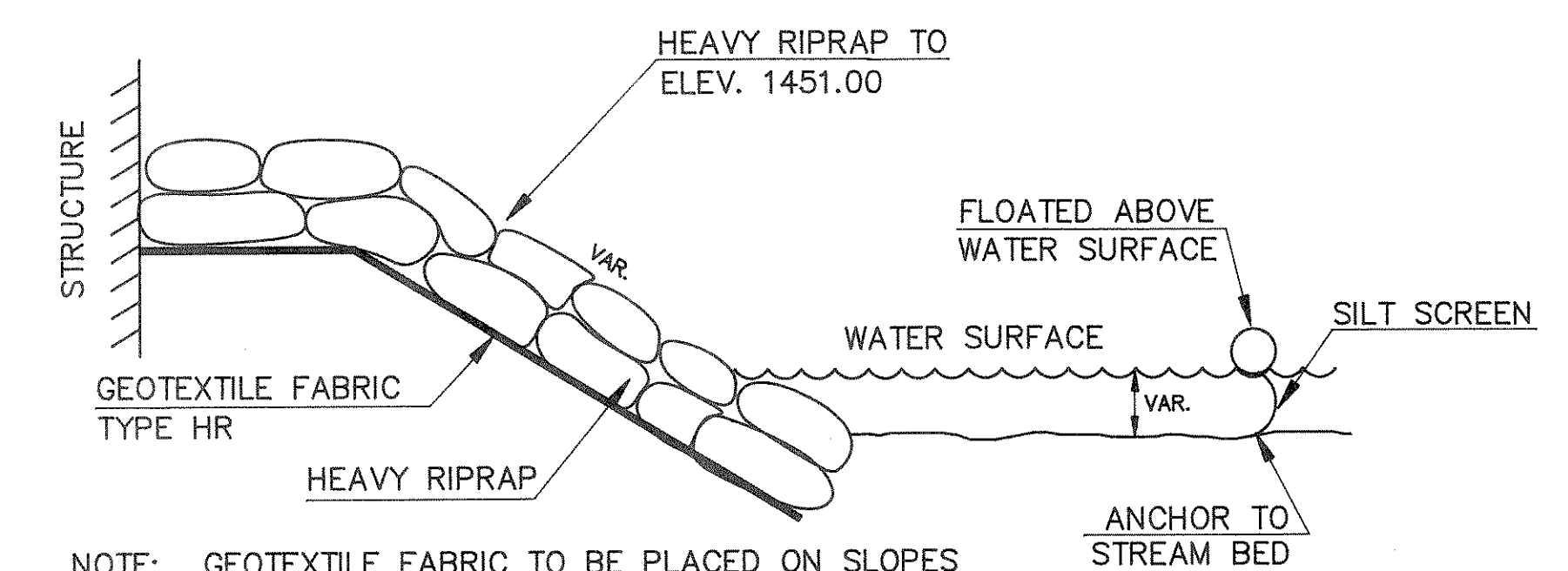
STATION TO STATION	LOCATION	S.Y.
15+17 - 15+75	RT.	70

#### EROSION BALES

STATION	LOCATION	EACH
13+50	RT.	5
15+25	RT.	5

#### SILT SCREEN

STATION	LOCATION	L.F.
14+73	S. ABUT.	75
15+11	N. ABUT.	55



DETAIL FOR SILT SCREEN